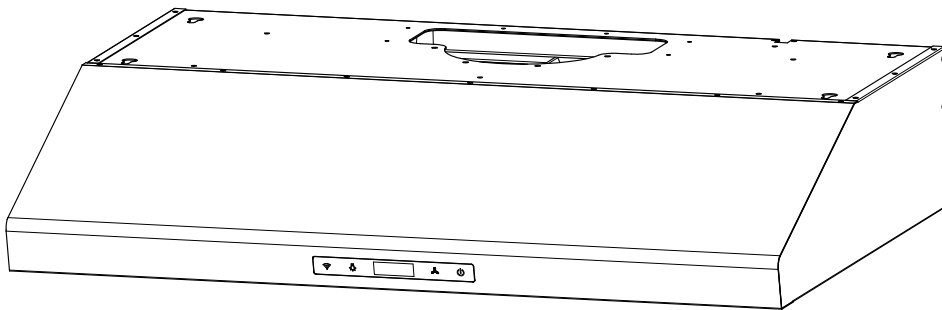




Under Cabinet Range Hood

COS-KS6U30

COS-KS6U36



KS Range Hood Series

Installation Guide & User Manual

IMPORTANT: Read and save these instructions.

NOTICE:

Installer: Leave this guide with the homeowner
Homeowner: Keep this guide for future reference

THANK YOU FOR YOUR PURCHASE

Thank you for your purchase. We know that you have many brands and products to choose from and we are honored to know that you have decided to take one of our products into your home and hope that you enjoy it.

COSMO Appliances are designed according to the strictest safety and performance standard for the North American market. We follow the most advanced manufacturing philosophy. Each appliance leaves the factory after thorough quality inspection and testing. Our distributors and our service partners are ready to answer any questions you may have regarding how to install, use and care for your products. We hope that this manual will help you learn to use the product in the safest and most effective manner.

Before using this product, please read through this manual carefully. Keep this user manual in a safe place for future reference. Please ensure that other persons using this product are familiar with these instructions as well.

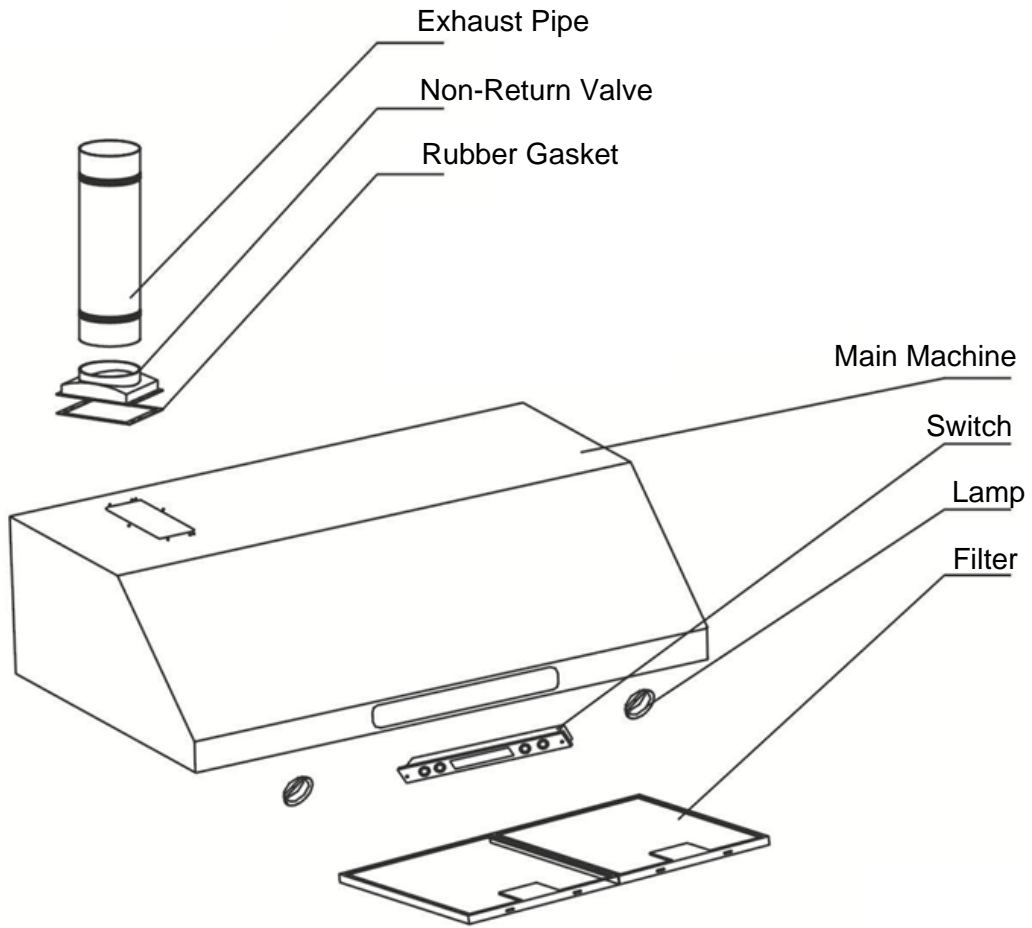
If you have any questions or concerns, please contact the dealer from whom you purchased it, or contact our Customer Support at:

1-888-784-3108.

TABLE OF CONTENTS

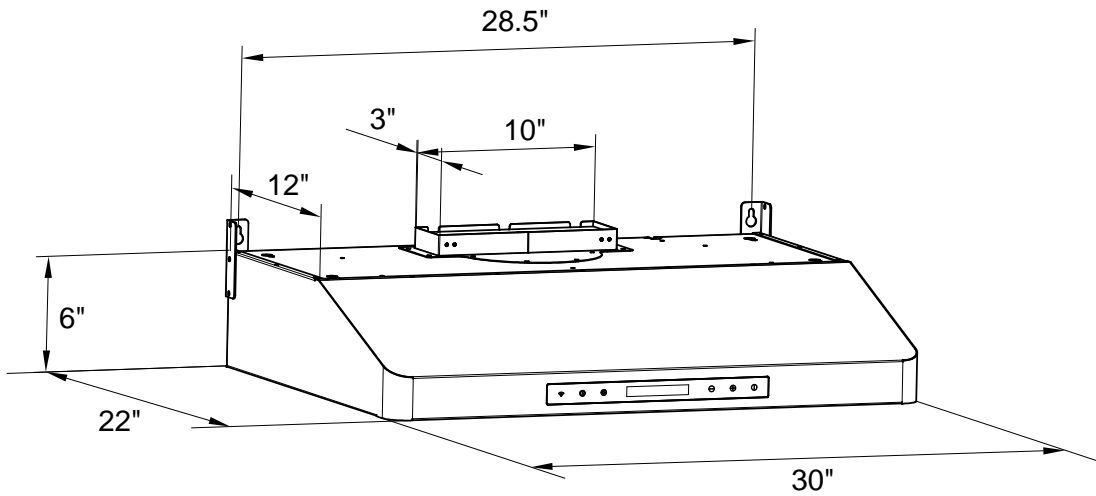
PARTS DIAGRAM	4
DIMENSION DRAWINGS	5
INSTALLATION INSTRUCTIONS	6
TECHNICAL SPECIFICATIONS	7
MAINTENANCE	8
CONTROL PANEL OPERATION	9
SAFETY WARNINGS	10
PART REPLACEMENT	11
SWITCH REPAIR	12
WARRANTY AND SERVICE	13-14

PARTS DIAGRAM

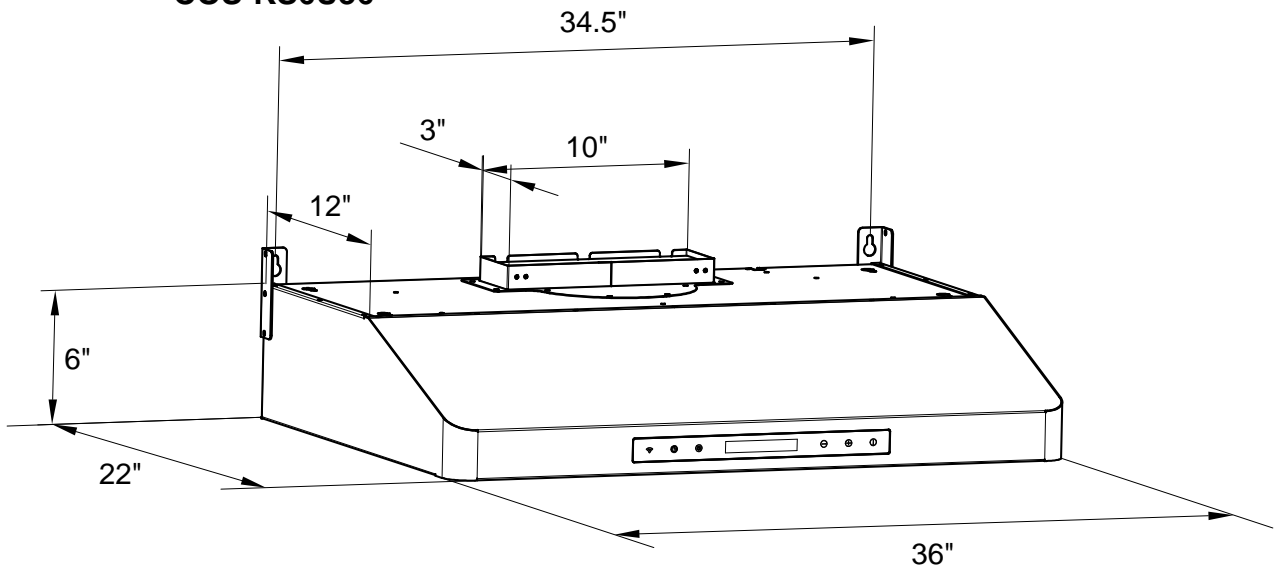


DIMENSION DRAWINGS

COS-KS6U30

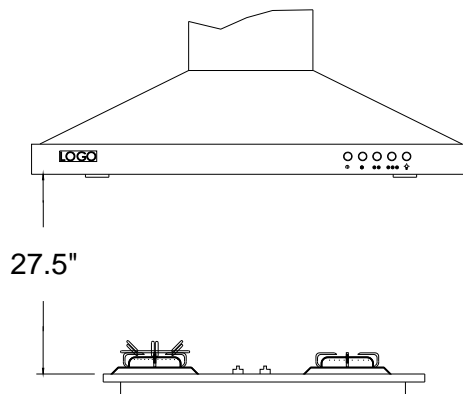


COS-KS6U36



INSTALLATION INSTRUCTIONS

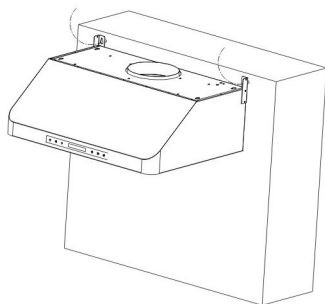
1. Position the range hood on the center of cooking stove wall. For best results, the mounting height of the range hood should be 25"-30" above the top of the range. Mark the position of the holes, which need to be drilled in order to mount the range hood.



2. According to marks, drill two holes appropriate for heavy duty wall anchors and screws (not included). Mount the range hood on the wall with the two screws and anchors and tighten.
3. Install the one-way valve on top of the range hood and assemble the exhaust pipe and decorative cover.
4. Affix the decorative cover with two M4 tapping screws on the hood body.

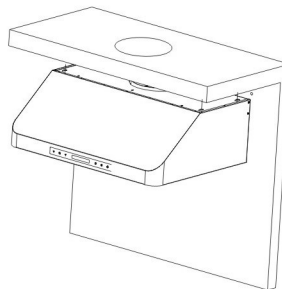
Wall Mount:

Drill two holes on the wall, then two expansions fixed on the wall.



Under Cabinet:

Drill four holes in the ceiling with four iron expansions fixed.



5. Make sure all switches are off and then insert the electrical plug into an outlet.
6. Install indicator diagram

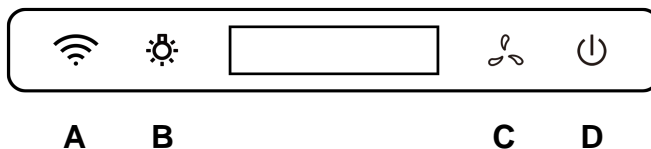
TECHNICAL SPECIFICATIONS

Model:	COS-KS6U30 / COS-KS6U36
Rated Voltage:	110V
Rated Frequency:	60Hz
Motor Input Power:	2 x 238W
Lamp Power:	≤2X1.5W
Air Volume:	900~1000m ³ /h
Air Pressure:	>160Pa
Noise Level:	<70dB
Air Output Diameter:	150mm

MAINTENANCE

1. Make sure to unplug the range hood to cut off the power before maintenance to ensure safety.
2. Clean the inside and outside of the range hood with warm water containing neutral detergent, then dry with a piece of dry cloth. Do not scrub with rough materials such as a cleansing ball to avoid damages to the surface. Put on gloves to avoid injury to your hands when cleaning the inside. Cleaning can be done one to two times per month.
3. Do not crush the wind wheel when cleaning the inside of the wind track to avoid deformation. Deformation will increase movement, resulting in more noise and affect the absorption of oil-smoke.
4. Frequent cleaning of the filter should be performed. First press the spring on the edge of the filter to dismantle the filter. Dip it into a strong detergent and brush the surface with a soft brush; then hold the filter with both hands and move it up and down in the detergent. Rinse with clean water and allow to air dry. Reinstall the filter. Cleaning can be done once per week. Do not clean with a combustible detergent such as banana oil and gasoline.

CONTROL PANEL OPERATION



A. Receiver	Remote control signal receiver
B. Light	To turn on/off the LED lights
C. Fan Speed	To adjust the fan speed of the hood
D. Power	To turn the range hood on/off

Standby Mode: Once the range hood is connected and turned on, the range hood will enter standby mode. You can press the power button to start the motor or the light button to turn on the light.

Delay-off Timer: Pressing the Power button while the range hood is on will activate the 3 minute delay-off timer. Once the range hood reaches the 3 minutes, the range hood will power off automatically. Pressing the Power button again will shut off the range hood instantly.

Light: The range hood light can be powered on with the Light button. Press once to turn it on and once more to turn it off. The light is independent from other range hood functions or adjustments.

Fan Speed Setting: The range hood has 3 fan speed settings. Adjust the fan speed by pressing the Fan button.

Adjusting the Clock: Press and hold the power button for 3 seconds while the range hood is on to adjust the clock. The display hour will flash along with the Light and Fan buttons. Press the Light button to decrease the hour and the Fan button to increase it from 0 to 23. Press and hold the power button again to adjust the minute. The display minute will flash and can be adjusted with the Light and Fan buttons from 0 to 59 minutes. Press and hold the power button a final time to exit the mode.

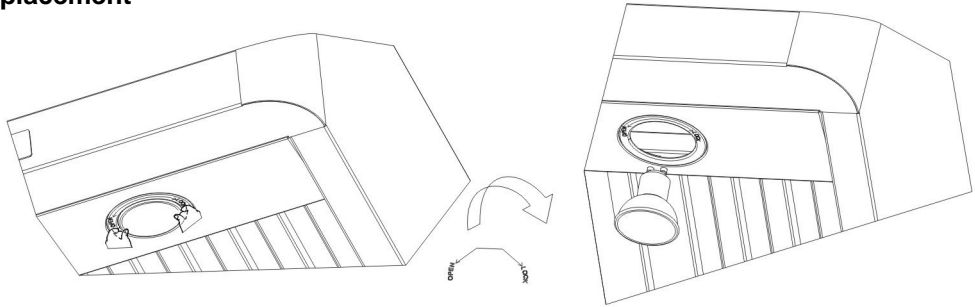
SAFETY WARNINGS

1. Do not attempt to install this appliance without appropriate electrical and technical background.
2. When maintaining the range hood or changing the light bulbs, ensure that all power switches are set to the OFF position.
3. Do not let detergent enter the electric appliance box or switches when cleaning the inside of the range hood to avoid electrical shock.
4. Do not flame under the range hood.
5. There is a fire risk if cleaning is not carried out according to the instructions.
6. Cut off all the circuit power before approaching the connection ends.
7. This appliance is not intended for use by young children and infirm people unless adequately supervised by a responsible person to ensure the appliance is operated safely.
8. Young children should be supervised to ensure they do not play with the range hood.
9. There should be adequate ventilation in the room when the range hood is in use at the same time as appliances burning gas or other fuels.
10. The air must not be discharged into a flue that is used for exhausting fumes from appliances burning gas and other fuels.
11. The minimum distance between the supporting surface for the cooking vessels on a cooktop and the lowest part of the range hood, should be at least 24 inches. If the installation instructions for a cooktop specify a greater distance, then the greater distance should be taken into account.
12. Regulations concerning the discharge of air have to be fulfilled.
13. **WARNING:** If the power supply cord is damaged, it must be replaced by the manufacturer, a service agent or a similarly qualified person to avoid a hazard.

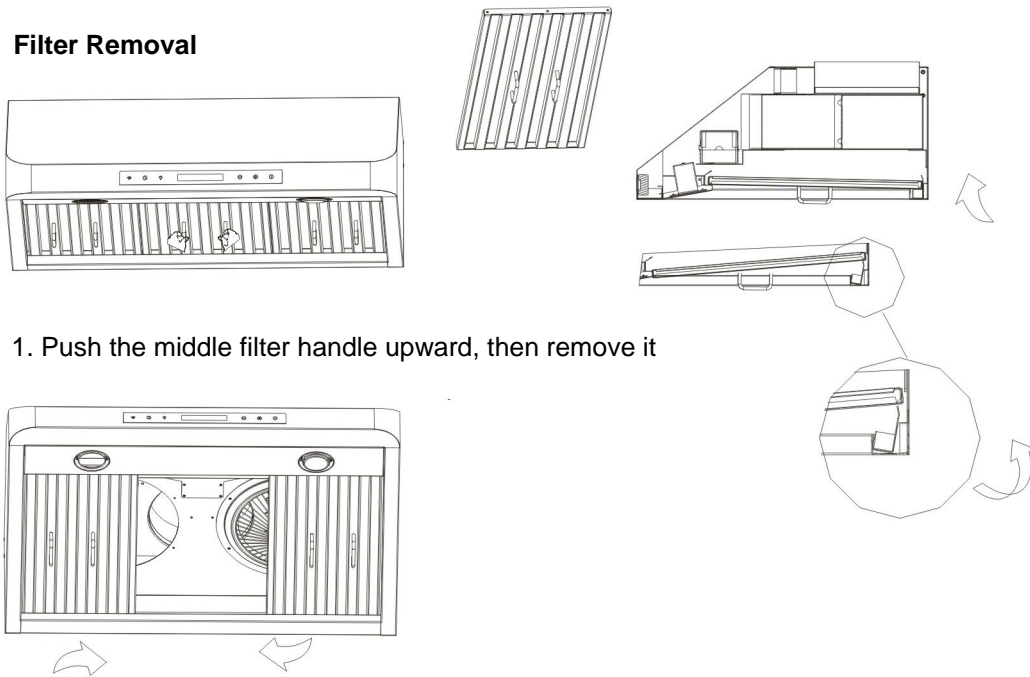
WARNING: This appliance is intended for normal indoor residential use. It is not approved for commercial use, outdoor installation, installation over an outdoor BBQ grill, or any other application not specifically allowed by this manual. Damage from improper installation or use of this appliance is not covered by the product warranty.

PART REPLACEMENT

Light Replacement



Filter Removal



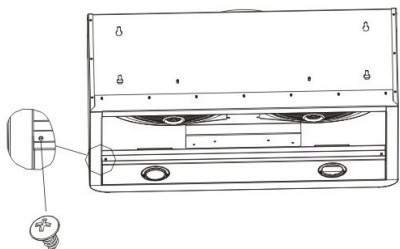
1. Push the middle filter handle upward, then remove it

2. Slide the side filters to the middle then remove

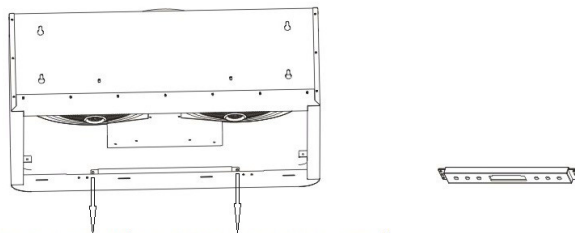
Oil Cup Cleaning



SWITCH REPAIR



1. Unscrew the two screws and remove the light panel



2. Unscrew the two screws and remove the switch.

WARRANTY AND SERVICE

For full warranty details on this product please visit:
<http://www.cosmoappliances.com/warranty>

TO RECEIVE WARRANTY SERVICE, YOUR
PRODUCT MUST BE REGISTERED. TO REGISTER, VISIT:

WWW.COSMOAPPLIANCES.COM/WARRANTY

SCAN TO REGISTER



IMPORTANT

Do Not Return This Product To The Store If
you have a problem with this product, please contact

Cosmo Customer Support at

+1(888)784-3108

DATED PROOF OF PURCHASE, MODEL #, AND SERIAL #

REQUIRED FOR WARRANTY SERVICE

IMPORTANT

Ne pas Réexpédier ce Produit au Magasin
Pour tout problème concernant ce produit, veuillez contacter
le service des consommateurs Cosmo Customer Support au

+1(888) 784-3108

UNE PREUVE D'ACHAT DATEE EST REQUISE POUR BENEFICIER DE
LA GARANTIE.

IMPORTANTE

No regrese este producto a la tienda
Si tiene algún problema con este producto, por favor contacte el
AYUDA AL CLIENTE COSMO al

+1(888)784-3108

(Válido solo en E.U.A).

NECESITA UNA PRUEBA DE DE COMPRA FECHADA, NÚMERO DE
MODELO Y DE SERIE PARA EL SERVICIO DE LA GARANTÍA

Correct Disposal of this product:



This marking indicates that this appliance should not be disposed with other household wastes. To prevent possible harm to the environment or human health from uncontrolled waste disposal, recycle it responsibly to promote the sustainable reuse of material resources.



APPLIANCES

Cosmo is constantly making efforts to improve the quality and performance of our products, so we may make changes to our appliances without updating this manual.

Electronic version of this manual is available at:
www.cosmoappliances.com