



APPLIANCES

INSPIRING THE WORLD'S KITCHEN



## 0.7 CU. FT. COUNTERTOP COMPACT MICROWAVE

# **COS-07CTMSSB**

## USER MANUAL & CARE GUIDE

### IMPORTANT SAFETY INSTRUCTIONS

Carefully read the following Important information regarding installation safety and maintenance. Keep these instruction for future reference.

**COS-07CTMSSB**

**USER MANUAL**

## THANK YOU FOR YOUR PURCHASE

**Thank you for your purchase. We know that you have many brands and products to choose from and we are honored to know that you have decided to take one of our products into your home and hope that you enjoy it.**

COSMO appliances are designed according to the strictest safety and performance standard for the North American market. We follow the most advanced manufacturing philosophy. Each appliance leaves the factory after thorough quality inspection and testing. Our distributors and our service partners are ready to answer any questions you may have regarding how to install, use and care for your products. We hope that this manual will help you learn to use the product in the safest and most effective manner .

If you have any questions or concerns, please contact the dealer from whom you purchased it, or contact our Customer Support at:

**1-888-784-3108.**

## Specifications

Model	COS-07CTMSSB
Rated voltage	120 V~60 Hz
Rated input power (microwave)	1050 W
Rated output power (microwave)	650-700 W
Power cord length	3.28 ft. (1.0 m)
Oven capacity	0.7 Cu. ft.
Turntable diameter	10 in. (25.5 cm)
External dimensions (HxWxD)	10.2 x 17.3 x 12.8 in. (25.9 x 44.0 x 32.5 cm)
Internal dimensions (HxWxD)	8.1 x 12.0 x 12.0 in. (20.6 x 30.6 x 30.4 cm)
Net weight	21.12 lbs. (9.6 kg)

## IMPORTANT SAFETY INSTRUCTIONS

BEFORE YOU BEGIN:

Please Read all instructions completely and carefully.  
Save these instructions for future references.

### PRECAUTIONS TO AVOID POSSIBLE EXPOSURE TO EXCESSIVE MICROWAVE ENERGY

- (a) Do not attempt to operate this oven with the door open since operation can result in harmful exposure to microwave energy.  
It is important not to interfere with or tamper with the safety interlocks.
- (b) Do not place any object between the oven front face and the door or allow soil or cleaner residue to accumulate on sealing surfaces.
- (c) Do not operate the oven if it is damaged. It is particularly important that the oven door closes properly and that there is no damage to the:
  - (1) DOOR (bent)
  - (2) HINGES AND LATCHES (broken or loosened)
  - (3) DOOR SEALS AND SEALING SURFACE
- (d) The oven should not be adjusted or repaired by anyone except properly qualified service personnel.

### RADIO INTERFERENCE

1. Operation of the microwave oven may cause interference to your radio, TV or similar equipment.
2. When there is interference, it may be reduced or eliminated by taking the following measures:
  - Clean door and sealing surface of the oven
  - Reorient the receiving antenna of radio or television.
  - Relocate the microwave oven with respect to the receiver.
  - Move the microwave oven away from the receiver.
  - Plug the microwave oven into a different outlet so that microwave oven and receiver are on different branch circuits.

### UTENSILS

#### CAUTION - Personal Injury Hazard

Tightly-closed utensils could explode. Closed containers should be opened and plastic pouches should be pierced before cooking.

See the instructions on "Materials you can use in microwave oven or to be avoided in microwave oven."

There may be certain non-metallic utensils that are not safe to use for microwaving. If in doubt, you can test the utensil in question following the procedure below.

#### Utensil Test:

1. Fill a microwave-safe container with 1 cup of cold water (250ml) along with the utensil in question.
2. Cook on maximum power for 1 minute.
3. Carefully feel the utensil. If the empty utensil is warm, do not use it for microwave cooking.
4. Do not exceed 1 minute cooking time.

# IMPORTANT SAFETY INSTRUCTIONS

When using electrical appliances basic safety precautions should be followed including the following:

**WARNING** - To reduce the risk of burns, electric shock, fire, injury to persons or exposure to excessive microwave energy:

1. Read all instructions before using the appliance.
2. Read and follow the specific: "PRECAUTIONS TO AVOID POSSIBLE EXPOSURE TO EXCESSIVE MICROWAVE ENERGY" found on page 3.
3. This appliance must be grounded. Connect only to properly grounded outlet. See "GROUNDING INSTRUCTIONS" found on page 5.
4. Install or locate this appliance only in accordance with the provided installation instructions.
5. Some products such as whole eggs and sealed containers - for example, closed glass jars - are able to explode and should not be heated in this oven.
6. Use this appliance only for its intended use as described in the manual. Do not use corrosive chemicals or vapors in this appliance. This type of oven is specifically designed to heat, cook or dry food. It is not designed for industrial or laboratory use.
7. As with any appliance, close supervision is necessary when used by children.
8. Do not operate this appliance if it has a damaged cord or plug, if it is not working properly, or if it has been damaged or dropped.
9. This appliance should be serviced only by qualified service personnel. Contact nearest authorized service facility for examination, repair, or adjustment.
10. Do not cover or block any openings on the appliance.
11. Do not store this appliance outdoors. Do not use this product near water - for example, near a kitchen sink, in a wet basement, near a swimming pool, or similar location.
12. Do not immerse cord or plug in water.
13. Keep cord away from heated surface.
14. Do not let cord hang over edge of table or counter.
15. When cleaning surfaces of door and oven that comes together on closing the door, use only mild, nonabrasive soaps, or detergent applied with a sponge or soft cloth.
16. To reduce the risk of fire in the oven cavity:
  - (1). Do not overcook food. Carefully attend appliance when paper, plastic, or other combustible materials are placed inside the oven to facilitate cooking.
  - (2). Remove wire twist-ties from paper or plastic bag before placing bag in oven.
  - (3). If material inside of the oven ignite, keep oven door closed, turn oven off, and disconnect the power cord, or shut off power at the fuse or circuit breaker panel.
  - (4). Do not use the cavity for storage purposes. Do not leave paper products, cooking utensils, or food in the cavity when not in use.
17. Liquids, such as water, coffee, or tea are able to be overheated beyond the boiling point without appearing to be boiling. Visible bubbling or boiling when the container is removed from the microwave oven is not always present.

**THIS COULD RESULT IN VERY HOT LIQUID SUDDENLY BOILING OVER WHEN THE CONTAINER IS DISTURBED OR A UTENSIL IS INSERTED INTO THE LIQUID**

//continued on next page..



- To reduce the risk of injury to persons:
- **DO NOT OVERHEAT** the liquid
- Stir the liquid both before and halfway through heating it.
- Do not use straight-sided containers with narrow necks.
- After heating, allow the container to stand in the microwave oven for a short time before removing the container.
- Use extreme care when inserting a spoon or other utensil into the container.
- Do not mount over sink.
- Do not store anything directly on top of the appliance surface when the appliance is in operation.
- Clean ventilation hoods frequently - grease should not be allowed to accumulate on hood or filter.
- When flaming foods under the hood, turn fan on.
- Use care when cleaning the vent-hood filter. Corrosive cleaning agents such as lye-based oven cleaners may damage the filters.
- Suitable for use above both gas and electric cooking equipment.

## GROUNDING INSTRUCTIONS

This appliance must be grounded. In the event of an electrical short circuit, grounding reduces the risk of electric shock by providing an escape wire for the electric current. This appliance is equipped with a cord having a grounding wire with a grounding plug. The plug must be plugged into an outlet that is properly installed and grounded.

**WARNING** - Improper use of the grounding can result in a risk of electric shock.

Consult a qualified electrician or serviceman if the grounding instructions are not completely understood, or if doubt exists as to whether the appliance is properly grounded. If it is necessary to use an extension cord, use only a 3-wire extension cord that has a 3-blade grounded plug, and 3-slot receptacle that will accept the plug on the appliance. The marked rating of the extension cord shall be equal to or greater than the electrical rating of the appliance.

**DANGER** - Electric Shock Hazard

Touching some of the internal components can cause serious personal injury or death. Do not disassemble this appliance.

**WARNING** - Electric Shock Hazard

Improper use of the grounding can result in electric shock. Do not plug into an outlet until appliance is properly installed and grounded.

1. A short power-supply cord is provided to reduce the risks resulting from becoming entangled in or tripping over a longer cord.
2. Longer cord sets or extension cords are available and may be used if care is exercised in their use.
3. If a long cord or extension cord is used:
  - (1) The marked electrical rating of the cord set or extension cord should be at least as great as the electrical rating of the appliance.
  - (2) The extension cord must be a grounding-type 3-wire cord.
  - (3) The longer cord should be arranged so that it will not drape over the counter top or tabletop where it can be pulled on by children or tripped over unintentionally.

**SAVE THESE INSTRUCTIONS**



# INDEX

SAFETY INFORMATION .....	3
Cookware and cooking materials .....	6
Materials you can use .....	6
Materials to be avoided .....	6
Package contents .....	7
Features .....	7
Setting up your microwave oven .....	9
Installing the turntable .....	10
Using your microwave oven .....	11
Understanding and setting the power level .....	11
Setting the clock .....	11
Using the timer .....	11
Cooking in your microwave oven .....	11
Defrosting in your microwave oven .....	12
Cooking popcorn .....	13
Cooking potatoes .....	13
Cooking frozen vegetables .....	13
Heating beverages .....	14
Heating a dinner plate .....	16
Heating pizza .....	16
Using the memory function .....	16
Using multi-stage cooking .....	15
Checking the time and power level while cooking .....	15
Using the child-lock .....	15
Troubleshooting .....	16
Maintaining your microwave oven .....	17
Obtaining replacement parts .....	17
Specifications .....	17
TWO-YEAR LIMITED WARRANTY .....	19

## Microwave Safe Materials

Utensils	Remarks
Browning dish	Follow manufacturer* instructions. The bottom of browning dish must be at least 3/16 inch (5mm) above the turntable. Incorrect usage may cause the turntable to break.
Dinnerware	Microwave-safe only. Follow manufacturer's instructions. Do not use cracked or chipped dishes.
Glass jars	Always remove lid. Use only to heat food until just warm. Most glass jars are not heat resistant and may break.
Glassware	Heat-resistant oven glassware only. Make sure there is no metallic trim. Do not use cracked or chipped dishes.
Oven cooking bags	Follow manufacturer* instructions. Do not close with metal tie. Make slits to allow steam to escape.
Paper plates and cups	Use for short term cooking/warming only. Do not leave oven unattended while cooking.
Paper towels	Use to cover food for reheating and absorbing fat. Use with supervision for a short-term cooking only.
Parchment paper	Use as a cover to prevent splattering or a wrap for steaming.
Plastic	Microwave-safe only. Follow the manufacturer* instructions. Should be labeled "Microwave Safe". Some plastic containers soften, as the food inside gets hot. "Boiling bags" and tightly closed plastic bags should be slit, pierced or vented as directed by package.
Plastic wrap	Microwave-safe only. Use to cover food during cooking to retain moisture. Do not allow plastic wrap to touch food.
Thermometers	Microwave-safe only (meat and candy thermometers).
Wax paper	Use as a cover to prevent splattering and retain moisture.

## Do Not Use in Microwave

Utensils	Remarks
Aluminum tray	May cause arcing. Transfer food into microwave-safe dish.
Food carton with metal handle	May cause arcing. Transfer food into microwave-safe dish.
Metal or metal-trimmed utensils	Metal shields the food from microwave energy. Metal trim may cause arcing.
Metal twist ties	May cause arcing and could cause a fire in the oven.
Paper bags	May cause a fire in the oven.
Plastic foam	Plastic foam may melt or contaminate the liquid inside when exposed to high temperature.
Wood	Wood will dry out when used in the microwave oven and may split or crack.

# SETTING UP THE MICROWAVE

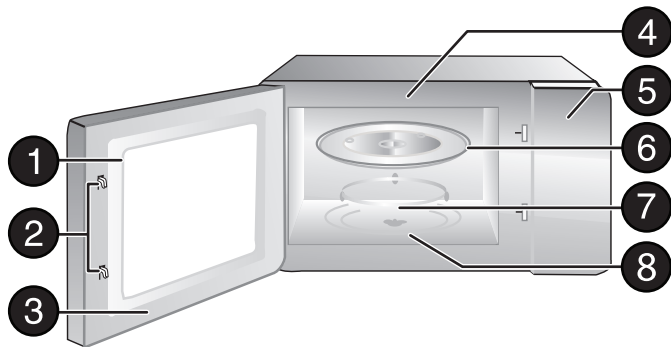
## FRONT VIEW

### Package contents

- 0.7 Cu. ft. compact microwave oven
- Glass tray (turntable)
- Turntable ring
- *User Guide*

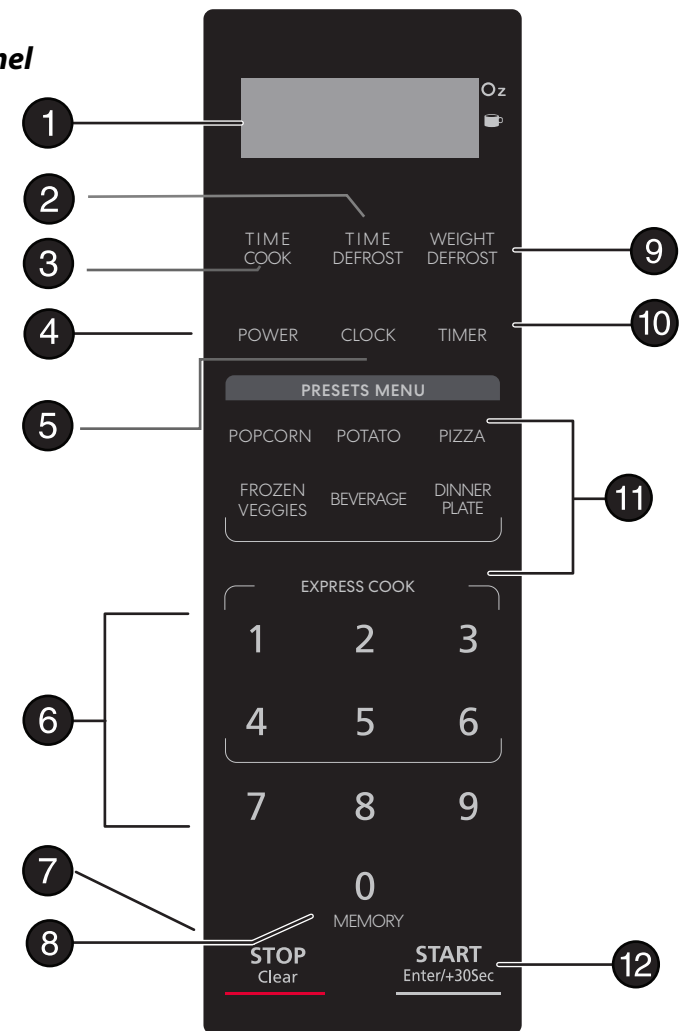
### Features

#### Microwave oven



#	ITEM	DESCRIPTION
1	Observation window	Use to view the item being cooked.
2	Safety interlock system	Prevents the oven from operating when the door is open.
3	Door assembly	Protects you from exposure to excessive microwave energy.
4	Control panel instructions	Printed instructions for using the control panel are visible when you open the microwave door.
5	Control panel	Use to set cooking times and enter other information as needed.
6	Glass turntable	Allows food to cook evenly.
7	Turntable ring assembly	Allows the turntable to rotate to cook food evenly.
8	Turntable shaft	Rotates the turntable assembly.

### Control panel



#	ITEM	DESCRIPTION
1	Display	In standby mode, displays the time. In cooking mode, displays cooking time, weight, and other information.
2	Time Defrost	Press this button, then enter the time you want for an item to defrost.
3	Time Cook	Press this button, then enter the time you want for an item to cook.
4	Power	Press to set the power level of your microwave, then press the number buttons to set the level you want (0-10). See "Understanding and setting the power level" on page page 12.

#	ITEM	DESCRIPTION
5	Clock	Press to set the clock, then press the number buttons to enter the current time.
6	Number buttons	Press to enter cook time, defrost time, clock time, and other information.
7	STOP/Clear	Press to stop the cooking process. Press again to cancel the cooking operation.
8	Memory	Press this button to set up to three memorized procedures.
9	Weight Defrost	Press this button, then enter the weight of the item you want to defrost. The cooking time is set automatically.
10	Timer	Press this button, then enter the time you want to count down.
11	Auto menu	Press one of these buttons to automatically cook the item indicated.
12	Start/+30 SEC.	In standby mode, press this button to begin cooking. While cooking, press this button to add 30 seconds to cooking time.

## Setting up your microwave oven

- 1 Remove the oven and all materials from the carton and oven cavity.
- 2 Examine the oven for any damage, such as dents or a broken door. Do not install or use the oven if any damage is found.
- 3 Remove any protective film from the microwave oven cabinet surface, the door, or the control panel.

### Note

Do not remove the light brown mica cover in the oven cavity. This cover protects the magnetron.

- 4 Place the oven on a level surface that provides enough open space for the intake and outlet vents.

### Notes

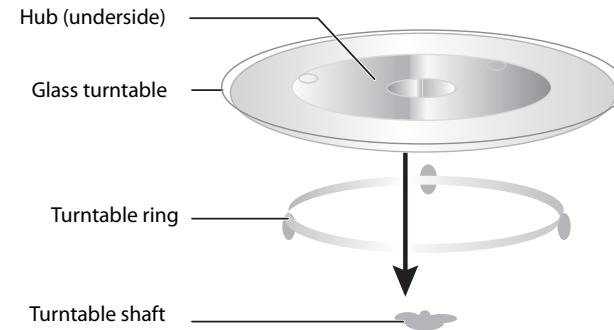
- A minimum clearance of 3.0 inches (7.5 cm) is required between the oven and any adjacent walls. One side must be open.
- Leave a minimum clearance of 12 in. (30 cm) above the oven.
- Do not remove the legs from the bottom of the oven.
- Blocking the intake and/or outlet openings can damage the oven.
- Place the oven as far away from radios and TVs as possible. Operation of the microwave oven may cause interference to your radio or TV reception.
- Do not mount under a cabinet.

- 5 Plug your oven into a standard household outlet. Be sure the voltage and the frequency is the same as the voltage and the frequency on the rating label.

### Caution

Do not install your oven over a range cooktop or other heat-producing appliance. If installed near or over a heat source, the oven could be damaged and the warranty would be voided.

## Installing the turntable



### Notes

- Never place the glass tray upside down. The glass tray should never be restricted.
- Both glass tray and turntable ring must always be used during cooking.
- Always place all food and containers of food on the glass tray for cooking.
- If glass tray or turntable ring cracks or breaks, contact your nearest authorized service center.

- 1 Place the turntable ring in the round depression in the bottom of the microwave oven so that it turns freely.
- 2 Place the glass turntable (flat side up) on the turntable ring so that the hub engages the turntable shaft in the bottom of the oven. The glass turntable should not turn freely when it is correctly installed.

## Using your microwave oven

### Understanding and setting the power level

The following table shows the 11 power levels available.

LEVEL	10	9	8	7	6	5	4	3	2	1	0
Power	100%	90%	80%	70%	60%	50%	40%	30%	20%	10%	0%
Display	PL10	PL9	PL8	PL7	PL6	PL5	PL4	PL3	PL2	PL1	PL0

- 1 Press **POWER** once. The display shows "PL10" (the default power is 100%).
- 2 Press the number keys to adjust the power level. For example, press **5** to set the power level to 50%.

### Setting the clock

- 1 Press **CLOCK**.
- 2 Press the number keys to enter the current time.
- 3 Press **CLOCK** to confirm the setting.

#### Note

If the numbers input are not within the range of 1:00–12:59, the setting is invalid until valid numbers are input.

### Using the timer

- 1 Press **TIMER**.
- 2 Press the number keys and enter the time you want (the maximum time is 99 minutes and 99 seconds).
- 3 Press **START/+30SEC.** to confirm the setting. When the time reaches 0, the buzzer rings five times and the display shows the current time.

#### Note

While the timer is running, the oven cannot be programmed

### Cooking in your microwave oven

- 1 Press **TIME COOK** once.
- 2 Press the number keys to enter the cooking time you want (the maximum cooking time is 99 minutes and 99 seconds). For example, press **1, 5, 0, 0** to cook for 15 minutes.

- 3 Press **POWER** once. The display shows "PL10" (the default power is 100%).
- 4 Press the number keys to adjust the power level. For example, press **5** to set the power level to 50%.
- 5 Press **START/+30SEC.** to start cooking.

#### Notes

- When setting the oven, if the **STOP/CANCEL** button is pressed or if there is no operation within one minute, the oven goes back to the former setting automatically.

- If "PL0" is selected, the oven fan turns on with 0% power. You can use this level to remove an odor in the oven.

- When setting the microwave, press **POWER** at any time to change the power setting. The current power setting flashes for three seconds and you can enter the number of the power setting you want. The oven cooks at the new power setting for the remainder of the cook time.

### Cooking quickly

From standby mode you can instantly cook something at 100% power by selecting a cooking time from one to six minutes.

- 1 Press any number from **1** to **6**. Cooking begins immediately.
- 2 Press **START/+30SEC.** again to increase cooking time in 30 second increments. The maximum cooking time is 99 minutes and 99 seconds.  
-OR-
  - 1 Press **START/+30SEC.** to cook the item at 100% power level for 30 seconds.
  - 2 Press **START/+30SEC.** again to increase cooking time in 30 second increments. The maximum cooking time is 99 minutes and 99 seconds.

### Defrosting in your microwave oven

#### Defrosting by weight

- 1 Press **WEIGHT DEFROST**. The display shows "dEF1."
- 2 Press the number buttons to input the weight of the item to be defrosted (in ounces). Input weight must be between four and 100 ounces.
- 3 Press **START/+30SEC.** to start defrosting and the remaining cooking time is displayed.

## Defrosting by time

- 1 Press **TIME DEFROST**. The display shows "dEF2."
- 2 Press the number buttons to input the defrosting time you want. The time range must be between 00:01 and 99:99.
- 3 The default microwave power for Time Defrost is power level 3. If you want to change the power level, press **POWER** once. The display shows "PL 3."
- 4 Press the number button of the power level you want.
- 5 Press **START/+30SEC.** to start defrosting. The remained cooking time is displayed.

## Cooking popcorn

- 1 Press **POPCORN** repeatedly until the weight of popcorn you want shows on the display. The display cycles through "1.75">"3.0">"3.5" (oz.).

### Note

The size of this oven is ideal for microwave popcorn bags below 3.0 ounces. If you select a larger bag, we recommend that you fold the edges of the bag in to improve the ability of the bag to rotate as it expands while cooking. If the bag does get stuck, stop the cooking process, open the oven door, and adjust the bag to ensure even cooking.

- 2 Press **START/+30 SEC.** When the popcorn is done popping, the buzzer sounds five times and the oven returns to standby mode.

## Cooking potatoes

- 1 Press **POTATO** repeatedly until the number of potatoes you want to cook shows on the display. The display cycles through "1">"2">"3" medium potatoes.
- 2 Press **START/+30 SEC.** When the food is cooked, the buzzer sounds five times and the oven returns to standby mode.

## Cooking frozen vegetables

- 1 Press **FROZEN VEGETABLE** repeatedly until the weight of the frozen vegetables you want to cook shows on the display. The display cycles through "4.0">"8.0">"16.0" (oz.).
- 2 Press **START/+30 SEC.** When the food is cooked, the buzzer sounds five times and the oven returns to standby mode.

## Heating beverages

- 1 Press **BEVERAGE** repeatedly until the number of cups you want to heat shows on the display. The display cycles through "1">"2">"3" cups (one cup is approximately 4 oz. [120 ml]).
- 2 Press **START/+30 SEC.** When the beverage is heated the buzzer sounds five times and the oven returns to standby mode.

## Heating a dinner plate

- 1 Press **DINNER PLATE** repeatedly until the size of the meal (in ounces) you want to heat shows on the display. The display cycles through "9.0">"12.0">"18.0" (oz.).
- 2 Press **START/+30 SEC.** When the meal is heated, the buzzer sounds five times and the oven returns to standby mode.

## Heating pizza

- 1 Press **PIZZA** repeatedly until the size of the pizza (in ounces) you want to heat shows on the display. The display cycles through "4.0">"8.0">"14.0" (oz.).
- 2 Press **START/+30 SEC.** When the pizza is cooked, the buzzer sounds five times and the oven returns to standby mode.

## Using the memory function

You can set up to three memory settings for frequently used cook times and power levels.

### To memorize a procedure:

The following procedure represents an EXAMPLE of how to set memory #2 to cook something for 3 minutes and 20 seconds at 80% power.

- 1 Press **0/MEMORY** twice, until the display shows "2" (for memory #2).
- 2 Press **TIME COOK** once, then press **3, 2,** and **0** (for 3:20).
- 3 Press **POWER** once. When "PL10" appears on the display, press **8**. The display shows "PL8" (for 80% power).
- 4 Press **START/+30 SEC.** to save the setting in memory. The buzzer sounds once, then the oven returns to standby mode. If you press **START/+30SEC.** again, the procedure will be saved as memory #2 and cooking begins.

The procedure remains in memory. The procedure needs to be reset if the oven loses power.



**To use a memorized procedure:**

- 1 Put the item to be cooked into the oven and close the door.
- 2 Press **0/MEMORY** repeatedly to cycle through memory 1, 2, or 3. The display shows "1", "2," or "3." Stop when you get to the memorized procedure you want to use.
- 3 Press **START/+30 SEC.** to use the procedure.

**Using multi-stage cooking**

Up to two stages can be used to cook your food. For example, you can defrost a meal, then cook it.

In this example, the food will be cooked with 80% power for five minutes, then 60% power for 10 minutes.

**Note**  
Auto cooking cannot be used with multi-stage cooking.

- 1 Put the item to be cooked into the oven and close the door.
- 2 Press **TIME COOK**, then press **5, 0,** and **0** to set the cooking time to five minutes.
- 3 Press **POWER**, then press **8** to set the power level for 80% power.
- 4 Press **TIME COOK**, then press **1, 0, 0,** and **0** to set the second cooking time to 10 minutes.
- 5 Press **POWER**, then press **6** to set the second power level to 60% power.
- 6 Press **START/ +30 SEC.** to begin cooking.

**Checking the time and power level while cooking**

- To check the time while cooking a meal, press **CLOCK**. The display shows the current time for three seconds, then returns to the cooking time remaining.
- To check the power level while cooking a meal, press **POWER**. The display shows the power level being used for three seconds, then returns to the cooking time remaining.

**Using the child-lock**

- To lock the oven — Press and hold **STOP/CANCEL** for three seconds. The oven sounds a long beep and the display shows **LOCK**, indicating that the lock is active.
- To unlock the oven — When the oven is locked, press and hold **STOP/CANCEL** for three seconds. The oven sounds a long beep, indicating that lock is released.

**Troubleshooting**

If you have a problem with your oven, review the following chart for a possible solution. If the oven still does not work properly, contact the nearest authorized service center.

PROBLEM	POSSIBLE CAUSE	POSSIBLE SOLUTION
Oven will not start	The electrical cord is not plugged in.	Plug in the electrical cord.
	The door is open.	Close the door and try again.
	The wrong operation is set.	Check the instructions and try again.
Arching or sparking in the oven	You are attempting to use incorrect materials in the oven.	Use only microwave-safe materials.
	You are attempting to use the oven when it's empty.	Do not operate the oven when it's empty.
	Spilled food remains in the oven.	Clean the oven with a wet towel.
Unevenly cooked foods	You are attempting to use incorrect materials in the oven.	Use only microwave-safe materials.
	The food is not defrosted completely.	Defrost the food completely before attempting to cook it.
	The cooking time or power level is not adequate to cook the food.	Use the correct cooking time and power level.
Overcooked foods	The cooking time or power level is not adequate to cook the food.	Use the correct cooking time and power level.
	The food is not turned or stirred.	Turn or stir the food.
Undercooked foods	You are attempting to use incorrect materials in the oven.	Use only microwave-safe materials.
	The food is not defrosted completely.	Defrost the food completely before attempting to cook it.
	The cooking time or power level is not adequate to cook the food.	Use the correct cooking time and power level.
Improper defrosting	The oven ventilation ports are blocked or restricted.	Make sure that the ventilation ports are not blocked or restricted.
	You are attempting to use incorrect materials in the oven.	Use only microwave-safe materials.
	The cooking time or power level is not adequate to cook the food.	Use the correct cooking time and power level.
Improper defrosting	The cooking time or power level is not adequate to cook the food.	Use the correct cooking time and power level.
	The food is not turned or stirred.	Turn or stir the food.

## Maintaining your microwave oven

Keep your microwave oven clean, especially the interior of the oven.

- Clean the exterior with a damp cloth or sponge. Do not allow water or cleaning solution to drip into the ventilation ports.
- Clean the interior with a damp cloth or sponge.

## Obtaining replacement parts

- Call Customer Service at 888.784.3108

## Specifications

Model	COS-07CTMSSB
Rated voltage	120 V~60 Hz
Rated input power (microwave)	1050 W
Rated output power (microwave)	650-700 W
Power cord length	3.28 ft. (1.0 m)
Oven capacity	0.7 Cu. ft.
Turntable diameter	10 in. (25.5 cm)
External dimensions (HxWxD)	10.2 x 17.3 x 12.8 in. (25.9 x 44.0 x 32.5 cm)
Internal dimensions (HxWxD)	8.1 x 12.0 x 12.0 in. (20.6 x 30.6 x 30.4 cm)
Net weight	21.12 lbs. (9.6 kg)

## Legal notices

### *Copyright*



## APPLIANCES

### WARRANTY AND SERVICE

For full warranty details on this product please visit:  
<http://www.cosmoappliances.com/warranty>

TO RECEIVE WARRANTY SERVICE, YOUR  
PRODUCT MUST BE REGISTERED. TO REGISTER, VISIT:

[WWW.COSMOAPPLIANCES.COM/WARRANTY](http://WWW.COSMOAPPLIANCES.COM/WARRANTY)

SCAN TO REGISTER



### IMPORTANT

Do Not Return This Product To The Store If  
you have a problem with this product, please contact

Cosmo Customer Support at

**+1(888)784-3108**

DATED PROOF OF PURCHASE, MODEL #, AND SERIAL #  
REQUIRED FOR WARRANTY SERVICE

### IMPORTANT

Ne pas Réexpédier ce Produit au Magasin  
Pour tout problème concernant ce produit, veuillez contacter  
le service des consommateurs Cosmo Customer Support au

**+1(888) 784-3108**

UNE PREUVE D'ACHAT DATEE EST REQUISE POUR BENEFICIER DE  
LA GARANTIE.

### IMPORTANTE

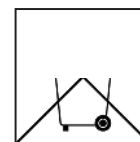
No regrese este producto a la tienda  
Si tiene algún problema con este producto, por favor contacte el  
AYUDA AL CLIENTE COSMO al

**+1(888)784-3108**

(Válido solo en E.U.A).

NECESITA UNA PRUEBA DE DE COMPRA FECHADA, NÚMERO DE  
MODELO Y DE SERIE PARA EL SERVICIO DE LA GARANTÍA

#### Correct Disposal of this product:



This marking indicates that this appliance should not  
be disposed with other household wastes. To prevent  
possible harm to the environment or human health  
from uncontrolled waste disposal, recycle it responsibly to  
promote the sustainable reuse of material resources.



Cosmo is constantly making efforts to improve the quality and performance of our products, so we may make changes to our appliances without updating this manual.

Electronic version of this manual is available at:  
[www.cosmoappliances.com](http://www.cosmoappliances.com)