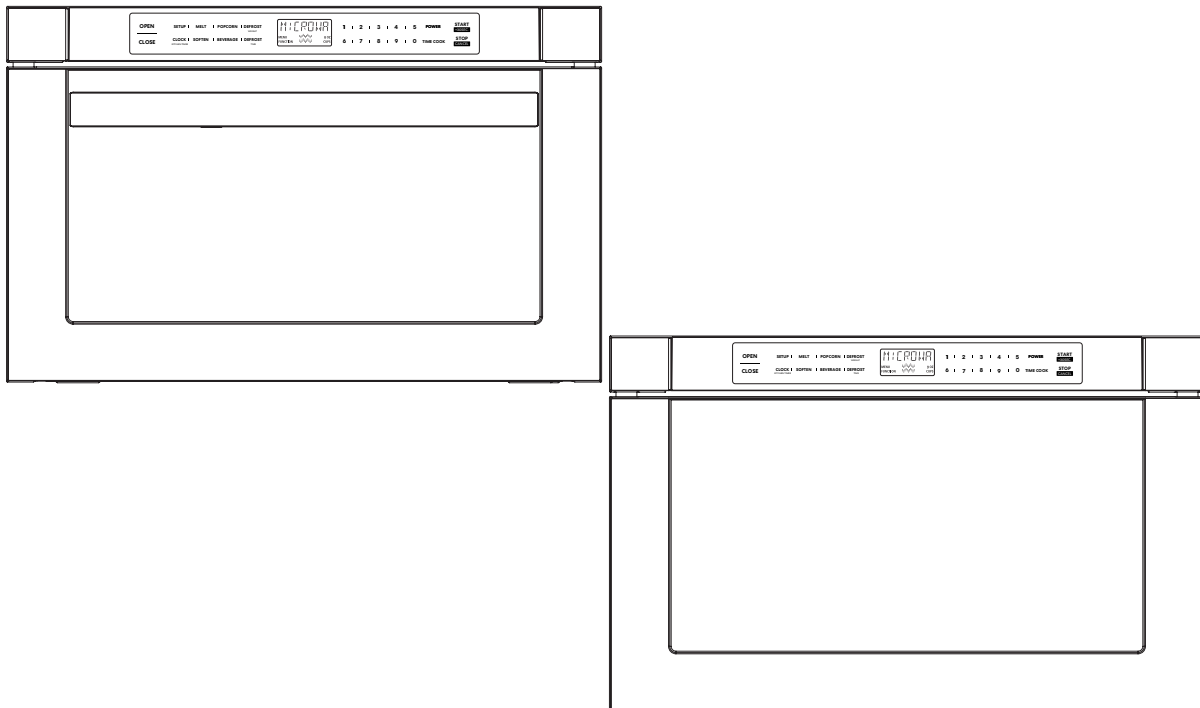




# Microwave Drawer

## COS-12MWDSS

## COS-12MWDSS-NH



## 24 in. Built-In Microwave Drawer

### User Manual

**IMPORTANT:** Read and save these instructions.

**NOTICE:**

Installer: Leave this guide with the homeowner  
Homeowner: Keep this guide for future reference

## THANK YOU FOR YOUR PURCHASE

**Thank you for your purchase. We know that you have many brands and products to choose from and we are honored to know that you have decided to take one of our products into your home and hope that you enjoy it.**

COSMO Appliances are designed according to the strictest safety and performance standard for the North American market. We follow the most advanced manufacturing philosophy. Each appliance leaves the factory after thorough quality inspection and testing. Our distributors and our service partners are ready to answer any questions you may have regarding how to install, use and care for your products. We hope that this manual will help you learn to use the product in the safest and most effective manner.

Before using this product, please read through this manual carefully. Keep this user manual in a safe place for future reference. Please ensure that other persons using this product are familiar with these instructions as well.

If you have any questions or concerns, please contact the dealer from whom you purchased it, or contact our Customer Support at:

**1-888-784-3108.**

## TABLE OF CONTENTS

<b>SPECIFICATIONS</b> .....	<b>4</b>
<b>SAFETY &amp; WARNINGS</b> .....	<b>4-6</b>
<b>GROUNDING INSTRUCTIONS</b> .....	<b>7</b>
<b>RADIO INTERFERENCE</b> .....	<b>7</b>
<b>COOKWARE</b> .....	<b>8</b>
Compatible Cookware .....	8-9
Non-Compatible Cookware .....	9
<b>MICROWAVE PARTS &amp; ACCESSORIES</b> .....	<b>10</b>
<b>OPERATING INSTRUCTIONS</b> .....	<b>11-17</b>
Control Panel & Features .....	11
Power On .....	12
Clock Setting .....	12
Kitchen Timer .....	12
Microwave Cooking Function .....	13
Fast Cooking .....	13
Weight Defrost Function .....	13
Time Defrost Function .....	14
Auto Menu - Beverage .....	14
Auto Menu - Popcorn .....	14
Auto Menu - Melt .....	14-15
Auto Menu - Soften .....	15
Buzzer On / Off .....	16
Child Lock Function .....	16
Inquiring Function .....	16
Other Specifications .....	16
Microwave Drawer Locks .....	17
<b>TROUBLESHOOTING</b> .....	<b>18</b>
<b>WARRANTY &amp; SERVICE</b> .....	<b>19-20</b>

## SAFETY & WARNINGS

### PRECAUTIONS TO AVOID POSSIBLE EXPOSURE TO EXCESSIVE MICROWAVE ENERGY

- (a) Do not attempt to operate this microwave with the door open since operation can result in harmful exposure to microwave energy. It is important not to damage or tamper with the safety interlocks.
- (b) Do not place any object between the microwave front face and the door or allow soil or cleaner residue to accumulate on sealing surfaces.
- (c) Do not operate the microwave if it is damaged. It is particularly important that the microwave door close properly and that there is no damage to the:
- (1) DOOR (bent)
  - (2) HINGES AND LATCHES (broken or loosened)
  - (3) DOOR SEALS AND SEALING SURFACES
- (d) The microwave should not be adjusted or repaired by anyone except properly qualified service personnel.

## SPECIFICATIONS

Models:	COS-12MWDSS & COS-12MWDSS-NH
Rated Voltage:	120V~ 60Hz
Rated Input Power(Microwave):	1500W
Rated Output Power(Microwave):	1000W
Microwave Capacity:	1.2 cu. ft. / 34 Liters
External Dimensions (WxHxD):	23.8 x 24.5 x 15 in. / 604.5 x 622.3 x 381 mm
Net Weight:	Approx. 70.4 lbs. / 31.93 kg

## SAFETY & WARNINGS

When using electrical appliances basic safety precautions should be followed, including the following:

**WARNING** To reduce the risk of burns, electric shock, fire, injury to persons or exposure to excessive microwave energy:

1. Read all instructions before using the appliance.
2. Read and follow the specific: "PRECAUTIONS TO AVOID POSSIBLE EXPOSURE TO EXCESSIVE MICROWAVE ENERGY" found on page 2.
3. This appliance must be grounded. Connect only to properly grounded outlet. See "GROUNDING INSTRUCTIONS" found on page 4.
4. Install or locate this appliance only in accordance with the provided installation instructions.
5. Some products such as whole eggs and sealed containers - for example, closed glass jars - are able to explode and should not be heated in this microwave.
6. Use this appliance only for its intended use as described in the manual. Do not use corrosive chemicals or vapors in this appliance. This type of microwave is specifically designed to heat, cook or dry food. It is not designed for industrial or laboratory use.
7. As with any appliance, close supervision is necessary when used by children.
8. Do not operate this appliance if it has a damaged cord or plug, if it is not working properly, or if it has been damaged or dropped.
9. This appliance should be serviced only by qualified service personnel. Contact nearest authorized service facility for examination, repair, or adjustment.
10. Do not cover or block any openings on the appliance.
11. Do not store this appliance outdoors. Do not use this product near water - for example, near a kitchen sink, in a wet basement, near a swimming pool, or similar location.
12. Do not immerse cord or plug in water.
13. Keep cord away from heated surface.
14. Do not let cord hang over edge of table or counter.
15. When cleaning surfaces of door and microwave that comes together on closing the door, use only mild, nonabrasive soaps, or detergent applied with a sponge or soft cloth.
16. To reduce the risk of fire in the microwave cavity:
  - 1). Do not overcook food. Carefully attend appliance when paper, plastic, or other combustible materials are placed inside the microwave to facilitate cooking.
  - 2). Remove wire twist-ties from paper or plastic bag before placing bag in microwave.
  - 3). If material inside the microwave ignites, keep door closed, turn microwave off, and disconnect the power cord, or shut off power at the fuse or circuit breaker panel.
  - 4). Do not use the cavity for storage purposes. Do not leave paper products, cooking utensils, or food in the cavity when not in use.

**(Continued on Page 6)**

## SAFETY & WARNINGS

17. Liquids, such as water, coffee, or tea are able to be overheated beyond the boiling point without appearing to be boiling. Visible bubbling or boiling when the container is removed from the microwave is not always present.

**THIS COULD RESULT IN VERY HOT LIQUID SUDDENLY BOILING OVER WHEN THE CONTAINER IS DISTURBED OR A UTENSIL IS INSERTED INTO THE LIQUID.**

To reduce the risk of injury to persons:

- 1) Do not overheat the liquid.
  - 2) Stir the liquid both before and halfway through heating it.
  - 3) Do not use straight-sided containers with narrow necks.
  - 4) After heating, allow the container to stand in the microwave for a short time before removing the container.
  - 5) Use extreme care when inserting a spoon or other utensil into the container.
18. Do not operate any heating or cooking appliance beneath the appliance.
19. Do not mount unit over or near any portion of heating or cooking appliance.
20. Do not mount over sink.
21. Do not store anything directly on top of the appliance surface when the appliance is in operation.

## GROUNDING INSTRUCTIONS

This appliance must be grounded. In the event of an electrical short circuit, grounding reduces the risk of electric shock by providing an escape wire for the electric current. This appliance is equipped with a cord having a grounding wire with a grounding plug. The plug must be plugged into an outlet that is properly installed and grounded.

**WARNING** - Improper use of the grounding can result in a risk of electric shock.

Consult a qualified electrician or serviceman if the grounding instructions are not completely understood, or if doubt exists as to whether the appliance is properly grounded. If it is necessary to use an extension cord, use only a 3-wire extension cord that has a 3-blade grounded plug, and 3-slot receptacle that will accept the plug on the appliance. The marked rating of the extension cord shall be equal to or greater than the electrical rating of the appliance.

**DANGER** - Electric Shock Hazard

Touching some of the internal components can cause serious personal injury or death. Do not disassemble this appliance.

**WARNING** - Electric Shock Hazard

Improper use of the grounding can result in electric shock. Do not plug into an outlet until appliance is properly installed and grounded.

## GROUNDING INSTRUCTIONS

1. A short power-supply cord is provided to reduce the risks resulting from becoming entangled in or tripping over a longer cord.
2. Longer cord sets or extension cords are available and may be used if care is exercised in their use.
3. If a long cord or extension cord is used:
  - 1) The marked electrical rating of the cord set or extension cord should be at least as great as the electrical rating of the appliance.
  - 2) The extension cord must be a grounding-type 3-wire cord.
  - 3) The longer cord should be arranged so that it will not drape over the counter top or tabletop where it can be pulled on by children or tripped over unintentionally.

## RADIO INTERFERENCE

1. Operation of the microwave may cause interference to your radio, TV or similar equipment.
2. When there is interference, it may be reduced or eliminated by taking the following measures:
  - 1) Clean door and sealing surface of the microwave
  - 2) Reorient the receiving antenna of radio or television.
  - 3) Relocate the microwave with respect to the receiver.
  - 4) Move the microwave away from the receiver.
  - 5) Plug the microwave into a different outlet so that microwave and receiver are on different branch circuits.

## COOKWARE

### **CAUTION** - Personal Injury Hazard

Tightly-closed utensils could explode. Closed containers should be opened and plastic pouches should be pierced before cooking.

See the instructions on "Materials you can use in microwave or to be avoided in microwave."

There may be certain non-metallic utensils that are not safe to use for microwaving. If in doubt, you can test the utensil in question following the procedure below.

#### Utensil Test:

1. Fill a microwave-safe container with 1 cup of cold water (250ml) along with the utensil in question.
2. Cook on maximum power for 1 minute.
3. Carefully feel the utensil. If the empty utensil is warm, do not use it for microwave cooking.
4. Do not exceed 1 minute cooking time.

## Compatible Cookware

Utensils	Remarks
Browning dish	Follow manufacturer instructions. The bottom of browning dish must be at least 3/16 inch (5mm) above the turntable. Incorrect usage may cause the turntable to break.
Dinnerware	Microwave-safe only. Follow manufacturer's instructions. Do not use cracked or chipped dishes.
Glass jars	Always remove lid. Use only to heat food until just warm. Most glass jars are not heat resistant and may break.
Glassware	Heat-resistant oven glassware only. Make sure there is no metallic trim. Do not use cracked or chipped dishes.
Oven cooking bags	Follow manufacturer instructions. Do not close with metal tie. Make slits to allow steam to escape.
Paper plates and cups	Use for short term cooking/warming only. Do not leave microwave unattended while cooking.
Paper towels	Use to cover food for reheating and absorbing fat. Use with supervision for a short-term cooking only.
Parchment paper	Use as a cover to prevent splattering or a wrap for steaming.



# COOKWARE

## Compatible Cookware

Utensils	Remarks
Plastic	Microwave-safe only. Follow the manufacturer* instructions. Should be labeled "Microwave Safe". Some plastic containers soften, as the food inside gets hot. "Boiling bags" and tightly closed plastic bags should be slit, pierced or vented as directed by package.
Plastic wrap	Microwave-safe only. Use to cover food during cooking to retain moisture. Do not allow plastic wrap to touch food.
Thermometers	Microwave-safe only (meat and candy thermometers).
Wax paper	Use as a cover to prevent splattering and retain moisture.

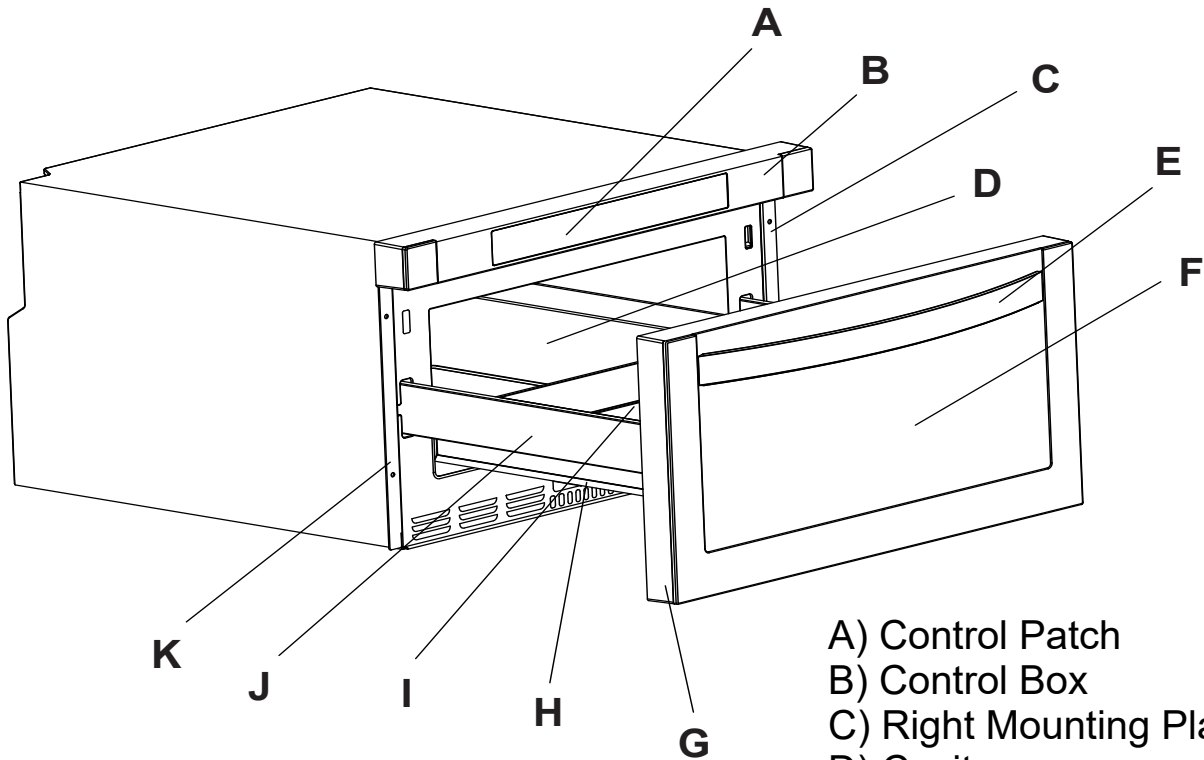
## Non-Compatible Cookware

Utensils	Remarks
Aluminum tray	May cause arcing. Transfer food into microwave-safe dish.
Food carton with metal handle	May cause arcing. Transfer food into microwave-safe dish.
Metal or metal-trimmed utensils	Metal shields the food from microwave energy. Metal trim may cause arcing.
Metal twist ties	May cause arcing and could cause a fire in the microwave.
Paper bags	May cause a fire in the microwave.
Plastic foam	Plastic foam may melt or contaminate the liquid inside when exposed to high temperature.
Wood	Wood will dry out when used in the microwave and may split or crack.

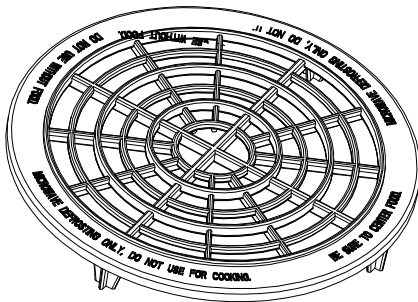
## MICROWAVE PARTS & ACCESSORIES

Remove the microwave and all materials from the carton and oven cavity.  
Your microwave comes with the following accessories:

(COS-12MWDSS SHOWN BELOW)



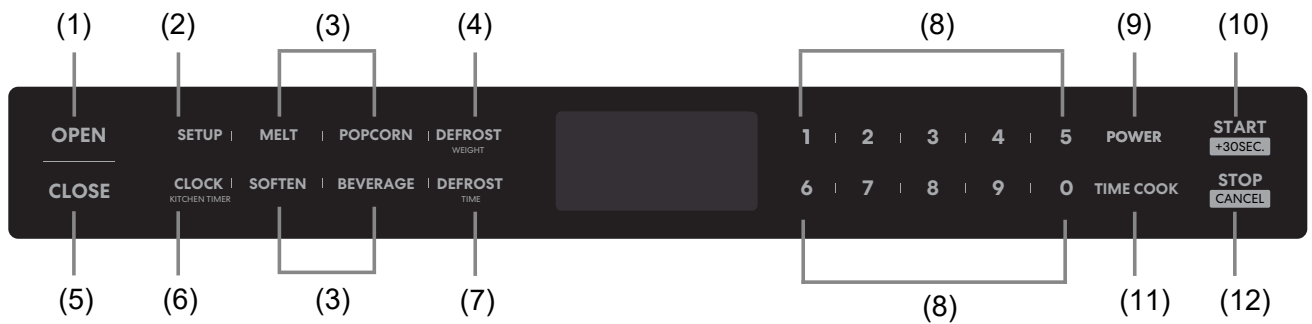
- A) Control Patch
- B) Control Box
- C) Right Mounting Plate
- D) Cavity
- E) Handle (COS-12MWDSS ONLY)
- F) Windows
- G) Door Frame
- H) Automatic putter
- I) Drawer
- J) Hinge Joint Board
- K) Left Mounting Plate



**Defrosting Rack:** Only used in defrosting function and do not use for cooking. Do not use without food

# OPERATING INSTRUCTIONS

## Control Panel & Functions



- |                                |                             |
|--------------------------------|-----------------------------|
| <b>(1) Open</b>                | <b>(7) Time Defrost</b>     |
| <b>(2) Setup</b>               | <b>(8) Number keys</b>      |
| <b>(3) Auto Menu</b>           | <b>(9) Power</b>            |
| <b>(4) Weight Defrost</b>      | <b>(10) Start / +30sec.</b> |
| <b>(5) Close</b>               | <b>(11) Time Cook</b>       |
| <b>(6) Clock/Kitchen timer</b> | <b>(12) Stop / Cancel</b>   |

# OPERATING INSTRUCTIONS

## 1. Power On

- (1) When the microwave is plugged into an outlet the buzzer will sound once. Screen will display "WELCOME", then the microwave will go into waiting state. The screen will display "00:00".
- (2) In waiting state, the screen will display the current time if the clock has been set.  
If not, "00:00" will display.
- (3) Press "OPEN" button to open the drawer, the screen will display "OPEN". The screen will display "PLEASE CLOSE" when the drawer is fully opened.  
Press "CLOSE" button to close the drawer, the screen will display "CLOSE". The screen will display the current time or "00:00" when the drawer is fully closed.  
If there are mistakes to open or close the drawer, buzzer will sound five times, and the screen will display "OPEN OR CLOSE".

## 2. Clock Setting

- (1) Press "CLOCK/KITCHEN TIMER" button once. The first hour figure will flash and other "0" will light.
- (2) Press the number buttons to enter the correct time. The input time should be between 01:00-12:59.
- (3) Press "CLOCK/KITCHEN TIMER" to finish the setting. ":" will flash.

Note: In the process of setting the clock, if the "STOP/CANCEL" button is pressed or if there is no operation within 1 minute, the microwave will go back to former setting automatically.

## 3. Kitchen Timer

- (1) Press "CLOCK/KITCHEN TIMER" button twice, Screen will display 00:00. "FUNCTION" will light.
- (2) Press the number buttons to enter the time. The maximum cooking time is 99 minutes 99 seconds.
- (3) Press "START/+30SEC." to confirm the setting. The time begins to count down.
- (4) When the kitchen timer ends, buzzer will ring 5 times. The microwave goes into the waiting state. Screen will display the current time if the clock has been set. Otherwise, screen will display "00:00".

Note: 1) The kitchen timer is different from the 12-hour system. Kitchen Timer is a timer.

2) While Kitchen Timer is active, cooking functions cannot be operated.

3) "STOP/CANCEL" can be pressed to cancel the Kitchen Timer.

# OPERATING INSTRUCTIONS

## 4 . Microwave Cooking Function

11 power levels are available.

Level	10	9	8	7	6	5	4	3	2	1	0
Power	100%	90%	80%	70%	60%	50%	40%	30%	20%	10%	0%
Display	PL100	PL90	PL80	PL70	PL60	PL50	PL40	PL30	PL20	PL10	PL00

- (1) Press "TIME COOK" button, Screen will display "00:00". "FUNCTION" will light.  
Press number buttons to input the cooking time. The maximum cooking time is 99 minutes 99 seconds.
- (2) Press "POWER" button to set the power. The default power level is "PL100".  
Press number buttons to select different power levels.
- (3) Press "START/+30SEC." to start cooking. Buzzer sounds once. The cooking time begins to count down. When cooking is finished, buzzer sounds five times and "FINISH" will display.

Note: When setting, if the "STOP/CANCEL" button is pressed or if there is no operation within 1 minute, the microwave will go back to the former setting automatically.

## 5. Fast Cooking

- (1) While in waiting state, pressing the "START/+30SEC." button provides instant cooking at 100% power level with 30 seconds cooking time. Pressing the button again will increase the cooking time by 30 seconds.
- (2) While microwave and defrost by time is active, pressing the "START/+30SEC." button will increase cooking time by 30 seconds.

Note: "START/+30SEC." cannot be pressed to increase cooking time for defrost by weight and Auto menu cooking.

## 6. Weight Defrost Function

- (1) Press "DEFROST WEIGHT" button. Screen displays "WEIGHT DEFROST" and "FUNCTION" will light.
- (2) Press number buttons to input the weight to be defrosted.  
The input weight should be between 0.1-6.0 lbs.
- (3) Press "START/+30SEC." to start defrosting. Buzzer will sound once. The defrosting time begins to count down. When cooking is finished, buzzer sounds five times and "FINISH" displays.


# OPERATING INSTRUCTIONS

## 7. Time Defrost Function

- (1) Press "DEFROST TIME" button. Screen displays "TIME DEFROST" and "FUNCTION" will light.
- (2) Press number buttons to enter the defrosting time between 00:01-99:99.
- (3) Press "START/+30SEC." to start defrosting. Buzzer will sound once. The defrosting time begins to count down. When cooking finished, buzzer sounds five times and "FINISH" displays.

Note: The defrosting power level is PL30.

## 8. Auto Menu--Beverage

- (1) Press "BEVERAGE" button. Screen displays "1". "AUTO MENU" and " " indicators will light.
- (2) Continue to press "BEVERAGE" button, "1" or "2" will display in order.
- (3) Press "START/+30SEC." to start cooking. Buzzer will sound once. The cooking time begins to count down. When cooking is finished, buzzer sounds five times and "FINISH" displays.

## 9. Auto Menu--Popcorn

- (1) Press "POPCORN" button. Screen displays "1.75". "AUTO MENU" and "OZ" indicators will light.
- (2) Continue to press "POPCORN" button, "1.75", "3" or "3.5" will display in order.
- (3) Press "START/+30SEC." to start cooking. Buzzer sounds once. "OZ" will turn off. The cooking time begins to count down. When cooking is finished, buzzer sounds five times and "FINISH" displays.

## 10. Auto Menu--Melt

- (1) Press "MELT" button. Screen displays "BUTTER". "AUTO MENU" indicator will light.
- (2) Continue to press "MELT" button, "BUTTER", "CHOCOLA", "CHEESE" or "MARSHMA" will display in order.
- (3) Press "START/+30SEC." to confirm the selection.
- (4) Press "MELT" button to select the weight. "OZ" will light except butter menu.
- (5) Press "START/+30SEC." to start cooking. Buzzer sounds once. "OZ" will turn off. The cooking time begins to count down. When cooking is finished, buzzer sounds five times and "FINISH" displays.

**(Auto Menu - Melt Continued on Page 15)**

# OPERATING INSTRUCTIONS

Menu	Display	Weight
Butter/Margarine	BUTTER	1 (STICK)
		2 (STICKS)
		3 (STICKS)
Chocolate	CHOCOLA	4
		8
Cheese	CHEESE	8
		16
Marshmallows	MARSHMA	5
		10

## 11. Auto Menu--Soften

- (1) Press "SOFTEN" button. Screen displays "BUTTER". "AUTO MENU" indicator will light.
- (2) Continue to press "SOFTEN" button, "BUTTER", "ICE-CRE" or "CHEESE" will display in order.
- (3) Press "START/+30SEC." to confirm the selection.
- (4) Press "SOFTEN" button to select the weight. "OZ" will light except butter menu.
- (5) Press "START/+30SEC." to start cooking. Buzzer sounds once. "OZ" will turn off. The cooking time begins to count down. When cooking is finished, buzzer sounds five times and "FINISH" displays.

Menu	Display	Weight
Butter	BUTTER	1(STICK)
		2(STICKS)
		3(STICKS)
Ice cream/ Frozen juice	ICE-CRE	8
		16
		32
Cream Cheese	CHEESE	3
		8

## OPERATING INSTRUCTIONS

### 12. Buzzer On/Off

- (1) Press "SETUP" button. Screen displays "BUZ OFF".
- (2) Press "START/+30SEC." button. The microwave will go into waiting state. Buzzer is turned off. No beep will sound.
- (3) Press "SETUP" button. Screen displays "BUZ ON".
- (4) Press "START/+30SEC." button. The microwave will go into waiting state. Buzzer is turned on. Buzzer will sound normally.

### 13. Child Lock Function

Lock: In waiting state, press "STOP/CANCEL" for 3 seconds, the microwave will enter into the child-lock state. Screen will display the current time if the clock has been set. Otherwise, "00:00" will display.

Lock OFF: In locked state, press "STOP/CANCEL" for 3 seconds to turn off the lock.

### 14. Inquiring Function

- (1) In cooking state, press "CLOCK/KITCHEN TIMER" button to check the clock. The current time will display for 3 seconds.
- (2) In the microwave cooking state, press "POWER" button to check the microwave power. The current microwave power will display for 3 seconds.

### 15. Other Specifications

- (1) The buzzer sounds once with proper press, otherwise there will be no response.
- (2) In cooking state, "OPEN" cannot be pressed to open the drawer unless "STOP/CANCEL" button is pressed to pause the cooking. Press "CLOSE" button to close the drawer. Then "START/+30SEC." button must be pressed to continue cooking.
- (3) If the cooking function has been set, and "START/+30SEC." is not pressed within 1 minute, the current time will be displayed and the setting will be canceled.
- (4) If the microwave door is open, the lamp will light until the microwave is powered off.

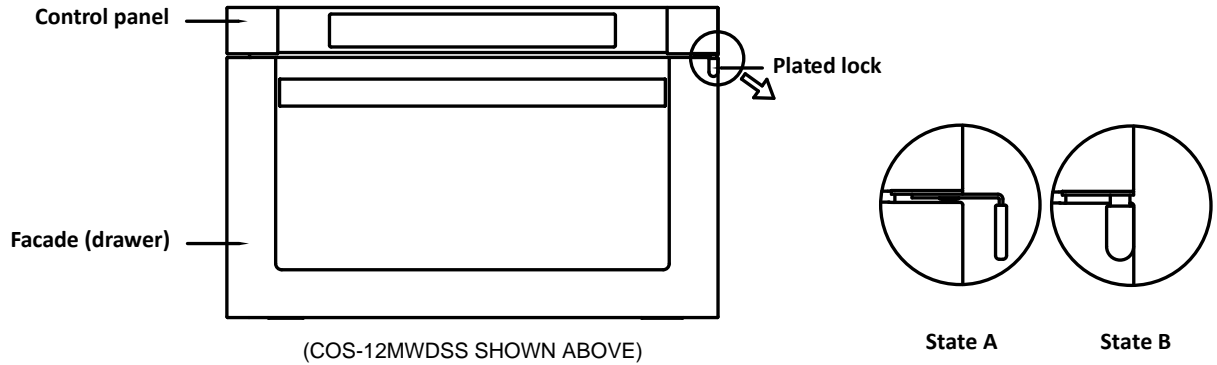


# OPERATING INSTRUCTIONS

## Microwave Drawer Locks

These instructions only apply to drawer type microwaves with protective lock when transporting. The lock is used to prevent damage to the microwave due to drawer being opened when being transported.

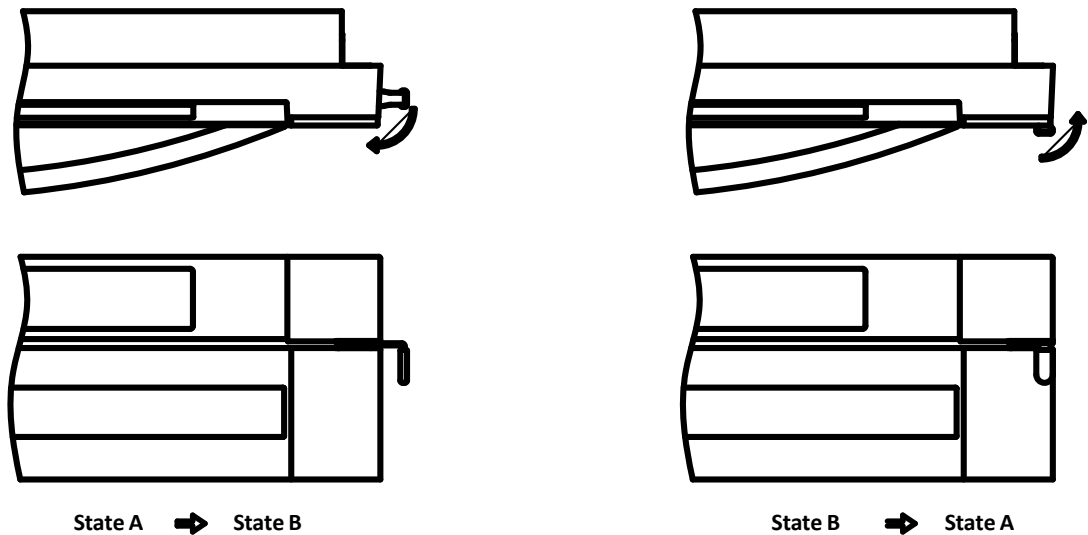
### Description of lock state:



The figure above shows the overall appearance of the drawer type microwave and the lock.

The lock can be in two positions, which are state A and state B. State A is used when the microwave is in normal use, and state B is used when the microwave is being transported and not in use.

### Description of using the lock:



**State A -> State B:** As shown on the left, rotate the right lock forward 90° to the locking state.

**State B -> State A:** As shown on the right, rotate the right lock 90° to both sides to the locking state.

### NOTES

- 1.) Before using the microwave, you must check whether the lock is in state A.
- 2.) Before transporting or if the microwave will not be in use for a long time, the lock must be set to state B.
- 3.) To switch the lock between state A and state B, rotate the lock to self-locking position.
- 4.) To avoid damage to the microwave caused by misuse, do not rotate the lock while using the microwave.

## TROUBLESHOOTING

Check your problem by using the chart below and try the solutions for each problem. If the microwave still does not work properly, contact the nearest authorized service center.

ISSUE	POSSIBLE CAUSE	POSSIBLE REMEDY
Microwave will not start	<ul style="list-style-type: none"> <li>a. Electrical cord for microwave is not plugged in.</li> <li>b. Door is open.</li> <li>c. Wrong operation is set.</li> </ul>	<ul style="list-style-type: none"> <li>a. Plug into the outlet.</li> <li>b. Close the door and try again.</li> <li>c. Check instructions.</li> </ul>
Arcing or sparking	<ul style="list-style-type: none"> <li>a. Materials to be avoided in microwave were used.</li> <li>b. The microwave is operated when empty.</li> <li>c. Spilled food remains in the cavity.</li> </ul>	<ul style="list-style-type: none"> <li>a. Use microwave-safe cookware only.</li> <li>b. Do not operate with microwave empty.</li> <li>c. Clean cavity with wet towel.</li> </ul>
Unevenly cooked foods	<ul style="list-style-type: none"> <li>a. Materials to be avoided in microwave were used.</li> <li>b. Food is not defrosted completely.</li> <li>c. Cooking time, power level is not suitable.</li> <li>d. Food is not turned or stirred.</li> </ul>	<ul style="list-style-type: none"> <li>a. Use microwave-safe cookware only.</li> <li>b. Completely defrost food.</li> <li>c. Use correct cooking time, power level.</li> <li>d. Turn or stir food.</li> </ul>
Overcooked foods	Cooking time, power level is not suitable.	Use correct cooking time, power level.
Undercooked foods	<ul style="list-style-type: none"> <li>a. Materials to be avoided in microwave were used.</li> <li>b. Food is not defrosted completely.</li> <li>c. Microwave ventilation ports are restricted.</li> <li>d. Cooking time, power level is not suitable.</li> </ul>	<ul style="list-style-type: none"> <li>a. Use microwave-safe cookware only.</li> <li>b. Completely defrost food.</li> <li>c. Check to see that microwave ventilation ports are not restricted.</li> <li>d. Use correct cooking time, power level.</li> </ul>
Improper defrosting	<ul style="list-style-type: none"> <li>a. Materials to be avoided in microwave were used.</li> <li>b. Cooking time, power level is not suitable.</li> <li>c. Food is not turned or stirred.</li> </ul>	<ul style="list-style-type: none"> <li>a. Use microwave-safe cookware only.</li> <li>b. Use correct cooking time, power level.</li> <li>c. Turn or stir food.</li> </ul>

**WATCH OUR VIDEO GUIDE**  
[cosmoappliances.com/12mwdss-help](http://cosmoappliances.com/12mwdss-help)  
 Call Support: 1-888-784-3108



SCAN QR  
CODE

## WARRANTY AND SERVICE

For full warranty details on this product please visit:  
<http://www.cosmoappliances.com/warranty>

TO RECEIVE WARRANTY SERVICE, YOUR  
PRODUCT MUST BE REGISTERED. TO REGISTER, VISIT:

**[WWW.COSMOAPPLIANCES.COM/WARRANTY](http://WWW.COSMOAPPLIANCES.COM/WARRANTY)**

SCAN TO REGISTER



## IMPORTANT

Do Not Return This Product To The Store If  
you have a problem with this product, please contact

Cosmo Customer Support at

**+1(888)784-3108**

DATED PROOF OF PURCHASE, MODEL #, AND SERIAL #  
REQUIRED FOR WARRANTY SERVICE

## IMPORTANT

Ne pas Réexpédier ce Produit au Magasin

Pour tout problème concernant ce produit, veuillez contacter  
le service des consommateurs Cosmo Customer Support au

**+1(888) 784-3108**

UNE PREUVE D'ACHAT DATEE EST REQUISE POUR BENEFICIER DE  
LA GARANTIE.

## IMPORTANTE

No regrese este producto a la tienda

Si tiene algún problema con este producto, por favor contacte el

AYUDA AL CLIENTE COSMO al

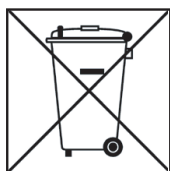
**+1(888)784-3108**

(Válido solo en E.U.A).

NECESITA UNA PRUEBA DE DE COMPRA FECHADA, NÚMERO DE  
MODELO Y DE SERIE PARA EL SERVICIO DE LA GARANTÍA

---

### Correct Disposal of this product:



This marking indicates that this appliance should not be disposed with other household wastes. To prevent possible harm to the environment or human health from uncontrolled waste disposal, recycle it responsibly to promote the sustainable reuse of material resources.





APPLIANCES

Cosmo is constantly making efforts to improve the quality and performance of our products, so we may make changes to our appliances without updating this manual.

Electronic version of this manual is available at:  
[www.cosmoappliances.com](http://www.cosmoappliances.com)