



APPLIANCES

INSPIRING THE WORLD'S KITCHEN



**30 IN. DUAL FUEL
FREE- STANDING RANGE**

**CUISINIÈRE AUTOPORTANTE
À BI-COMBUSTIBLE DE 30 PO**

COS-305DFSC

IMPORTANT SAFETY INSTRUCTIONS

Carefully read the following Important information regarding installation safety and maintenance. Keep these instruction for future reference.

**USER MANUAL
GUIDE DE L'UTILISATEUR**

THANK YOU FOR YOUR PURCHASE.

Thank you for your purchase. We know that you have many brands and products to choose from and we are honored to know that you have decided to take one of our products into your home and hope that you enjoy it.

COSMO appliances are designed according to the strictest safety and performance standard for the North American market. We follow the most advanced manufacturing philosophy. Each appliance leaves the factory after thorough quality inspection and testing. Our distributors and our service partners are ready to answer any questions you may have regarding how to install, use and care for your products. We hope that this manual will help you learn to use the product in the safest and most effective manner .

If you have any questions or concerns, please contact the dealer from whom you purchased it, or contact our Customer Support at:

1-888-784-3108.

Please read the important safety instructions before using our product for your own safety and to reduce the risk of fire or electrical shock, etc.

Please keep this manual for future use.

THANK YOU

Table of Contents

RANGE SAFETY	4
The Anti-tip Bracket	8
PARTS AND FEATURES	10
CONTROL PANEL.....	12
Display	12
Start	12
Cancel	12
Cook Time	12
Start Time	12
Oven Lights	12
Timer	14
Settings	14
Control Lock	17
COOKTOP USE	17
Power Failure	18
Cookware	18
OVEN USE	20
Oven Temperature Control	20
Oven Modes	21
Convection	22
RANGE CARE	31
General Cleaning.....	31
Oven Self-Cleaning	33
Replacing an Oven Light	34
Oven Door Removal	35
TROUBLESHOOTING	37
Solving Baking and Roasting Problems	37
Cooktop	38
Oven	39
CIRCUIT DIAGRAM	40
INSTRUCTIONS D'INSTALLATION.....	41

Range Safety

Your safety and the safety of others are very important.

We have provided many important safety messages in this manual and on your appliance. Always read and obey all safety messages.



This is the safety alert symbol.

This symbol alerts you to potential hazards that can kill or hurt you and others. All safety messages will follow the safety alert symbol and either the word "DANGER," "WARNING" or "CAUTION."

These words mean:

DANGER

An imminently hazardous situation. You could be killed or seriously injured if you don't immediately follow instructions.

WARNING

A potentially hazardous situation which, if not avoided, could result in death or serious bodily injury.

CAUTION

A potentially hazardous situation which, if not avoided, may result in moderate or minor injury.

All safety messages will tell you what the potential hazard is, tell you how to reduce the chance of injury, and tell you what can happen if the instructions are not followed.

Range Safety



WARNING



Fire Hazard

If the information in this manual is not followed exactly, a fire or explosion may result causing property damage, personal injury or death.

- Do not store or use gasoline or other flammable vapors and liquids in the vicinity of this or any other appliance.
- WHAT TO DO IF YOU SMELL GAS
 - Do not try to light any appliance.
 - Do not touch any electrical switch.
 - Do not use any phone in your building.
 - Clear the room, building, or area of all occupants.
 - Immediately call your gas supplier from a neighbor's phone. Follow the gas supplier's instructions.
 - If you cannot reach your gas supplier, call the fire department.
- Installation and service must be performed by a qualified installer, service agency or the gas supplier.

State of California Proposition 65 Warnings:

WARNING: This product contains one or more chemicals known to the State of California to cause cancer.

WARNING: This product contains one or more chemicals known to the State of California to cause birth defects or other reproductive harm.

In the State of Massachusetts, the following installation instructions apply:

- Installations and repairs must be performed by a qualified or licensed contractor, plumber, or gasfitter qualified or licensed by the State of Massachusetts.
- If using a ball valve, it shall be a T-handle type.
- A flexible gas connector, when used, must not exceed 3 feet.

Range Safety

THE ANTI-TIP BRACKET



WARNING

Tip Over Hazard



A child or adult can tip the range and be killed.

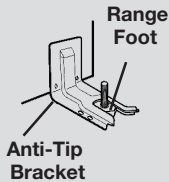
Connect anti-tip bracket to rear range foot.

Reconnect the anti-tip bracket, if the range is moved.

See the installation instructions for details.

Failure to follow these instructions can result in death or serious burns to children and adults.

Making sure the anti-tip bracket is installed:



- Slide range forward.
- Look for the anti-tip bracket securely attached to floor.
- Slide range back so rear range foot is under anti-tip bracket.

Range Safety

IMPORTANT SAFETY INSTRUCTIONS

WARNING: To reduce the risk of fire, electrical shock, injury to persons, or damage when using the range, follow basic precautions, including the following:

- **WARNING:** TO REDUCE THE RISK OF TIPPING OF THE RANGE, THE RANGE MUST BE SECURED BY PROPERLY INSTALLED ANTI-TIP DEVICES. TO CHECK IF THE DEVICES ARE INSTALLED PROPERLY, SLIDE RANGE COMPLETELY FORWARD, LOOK FOR ANTI-TIP BRACKET SECURELY ATTACHED TO THE FLOOR BEHIND THE RANGE AND SLIDE RANGE COMPLETELY BACK UNTIL THE REAR RANGE FOOT IS UNDER ANTI-TIP BRACKET.
- **WARNING:** NEVER use this appliance as a space heater to heat or warm the room. Doing so may result in carbon monoxide poisoning and overheating of the oven.
- **WARNING:** NEVER cover any slots, holes or passages in the oven bottom or cover an entire rack with materials such as aluminum foil. Doing so blocks airflow through the oven and may cause carbon monoxide poisoning. Aluminum foil linings may also trap heat, causing a fire hazard.
- **CAUTION:** Do not store items of interest to children in cabinets above a range or on the back guard of a range – children climbing on the range to reach items could be seriously injured.
- Do Not Leave Children Alone – Children should not be left alone or unattended in area where the range is in use. They should never be allowed to sit or stand on any part of the range.
- Wear Proper Apparel – Loose-fitting or hanging garments should never be worn while using the range.
- User Servicing – Do not repair or replace any part of the range unless specifically recommended in the manual. All other servicing should be referred to a qualified technician.
- Storage in or on the Range – Flammable materials should not be stored in an oven or near surface units.
- Do Not Use Water on Grease Fires – Smother fire or flame or use dry chemical or foam-type extinguisher.
- Use Only Dry Potholders – Moist or damp potholders on hot surfaces may result in burns from steam. Do not let potholder touch hot heating elements. Do not use a towel or other bulky cloth.

IMPORTANT SAFETY INSTRUCTIONS

- DO NOT TOUCH SURFACE UNITS OR AREAS NEAR UNITS – Surface units may be hot even though they are dark in color. Areas near surface units may become hot enough to cause burns. During and after use, do not touch, or let clothing or other flammable materials contact surface units or areas near units until they have had sufficient time to cool. Among those areas are the cooktop and surfaces facing the cooktop.
- Never Leave Surface Units Unattended at High Heat Settings – Boil over causes smoking and greasy spillovers that may ignite.
- Glazed Cooking Utensils – Only certain types of glass, glass/ceramic, ceramic, earthenware, or other glazed utensils are suitable for range-top service without breaking due to the sudden change in temperature.
- Utensil Handles Should Be Turned Inward and Not Extend Over Adjacent Surface Units – To reduce the risk of burns, ignition of flammable materials, and spillage due to unintentional contact with the utensil, the handle of a utensil should be positioned so that it is turned inward, and does not extend over adjacent surface units.
- Clean Cooktop With Caution – If a wet sponge or cloth is used to wipe spills on a hot cooking area, be careful to avoid steam burn. Some cleaners can produce noxious fumes if applied to a hot surface.
- Use Care When Opening Door – Let hot air or steam escape before removing or replacing food.
- Do Not Heat Unopened Food Containers – Build-up of pressure may cause container to burst and result in injury.
- Keep Oven Vent Ducts Unobstructed.
- Placement of Oven Racks – Always place oven racks in desired location while oven is cool. If rack must be moved while oven is hot, do not let potholder contact hot heating element in oven.
- DO NOT TOUCH HEATING ELEMENTS OR INTERIOR SURFACES OF OVEN – Heating elements may be hot even though they are dark in color. Interior surfaces of an oven become hot enough to cause burns. During and after use, do not touch, or let clothing or other flammable materials contact heating elements or interior surfaces of oven until they have had sufficient time to cool. Other surfaces of the appliance may become hot enough to cause burns – among these surfaces are oven vent openings and surfaces near these openings, oven doors, and windows of

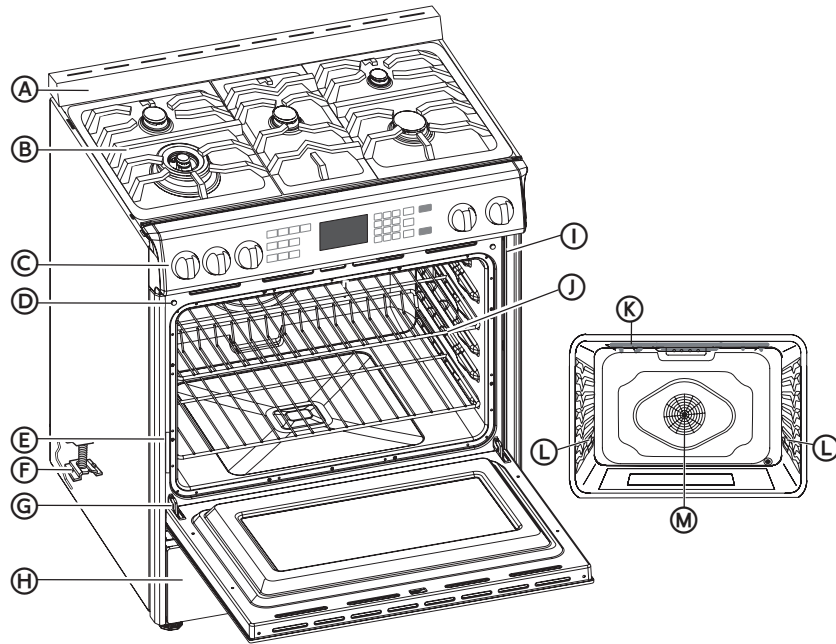
IMPORTANT SAFETY INSTRUCTIONS

- Proper Installation – The range, when installed, must be electrically grounded in accordance with local codes or, in the absence of local codes, with the National Electrical Code, ANSI/NFPA 70. In Canada, the range must be electrically grounded in accordance with Canadian Electrical Code. Be sure the range is properly installed and grounded by a qualified technician.
- Disconnect the electrical supply before servicing the appliance.
- Injuries may result from the misuse of appliance doors or drawers such as stepping, leaning, or sitting on the doors or drawers.
- Maintenance – Keep range area clear and free from combustible materials, gasoline, and other flammable vapors and liquids.
- Top burner flame size should be adjusted so it does not extend beyond the edge of the cooking utensil.
- For self-cleaning ranges –
 - Do Not Clean Door Gasket – The door gasket is essential for a good seal. Care should be taken not to rub, damage, or move the gasket.
 - Do Not Use Oven Cleaners – No commercial oven cleaner or oven liner protective coating of any kind should be used in or around any part of the oven.
 - Clean Only Parts Listed in Manual.
 - **CAUTION: DO NOT LEAVE FOOD OR COOKING UTENSILS, ETC., IN OVEN DURING THE PYROLYTIC SELF-CLEANING MODE OF OPERATION**
- For units with ventilating hood –
 - Clean Ventilating Hoods Frequently – Grease should not be allowed to accumulate on hood or filter.
 - When flambé cooking under the vent hood, turn the fan on.

READ AND SAVE THESE INSTRUCTIONS

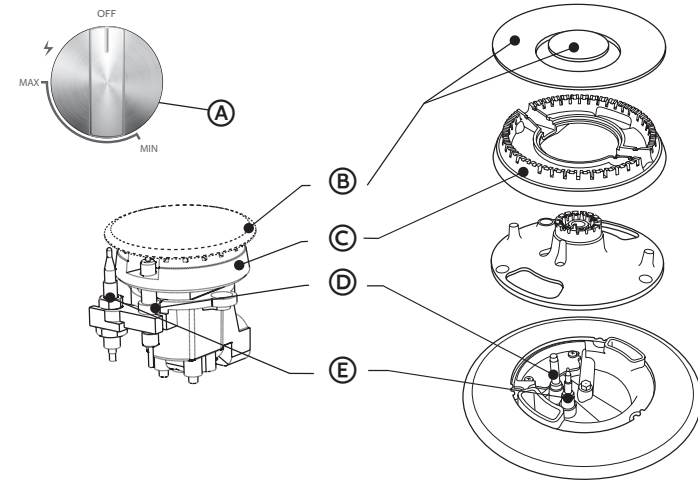
Parts and Features

This manual covers several different models. The range you have purchased may have some or all of the items listed. The locations and appearances of the features shown here may not match those of your model.



- | | |
|---|--------------------------------|
| (A) Backsplash | (G) Door Hinge |
| (B) Burner Grates | (H) Storage Drawer |
| (C) Control Panel | (I) Door Gasket |
| (D) Oven Door Lock Latch and Light Switch | (J) Oven Rack |
| (E) Model and Serial Number Plate | (K) Broil Element |
| (F) Anti-tip Bracket | (L) Oven Light |
| | (M) Convection Fan and Element |

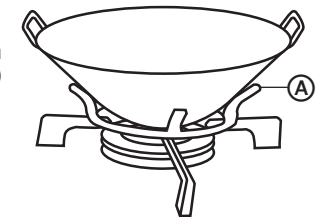
Parts and Features



- | | |
|-------------------------------|--------------------|
| (A) Control Knob Off Position | (D) Electrode |
| (B) Burner Cap | (E) Flame Detector |
| (C) Burner Head | |

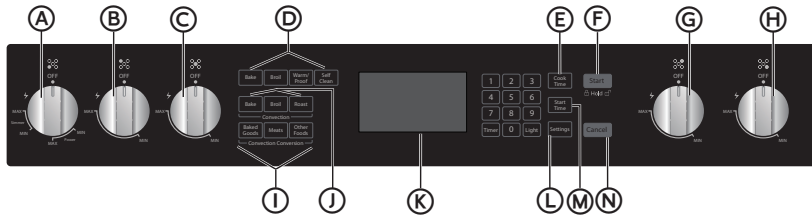
Accessory

Both flat-bottom wok pans and round-bottom wok pans supported with the wok ring (provided) can be used with all models.



(A) Wok Ring

Control Panel



- | | |
|-----------------------|---------------------------|
| (A) Front Left Burner | (H) Front Right Burner |
| (B) Rear Left Burner | (I) Convection Conversion |
| (C) Center Burner | (J) Convection Modes |
| (D) Oven Modes | (K) Display |
| (E) Cook Time | (L) Settings |
| (F) Start | (M) Start Time |
| (G) Rear Right Burner | (N) Cancel |

DISPLAY

When power is first supplied to the oven or if a power failure occurs, "12:00 PM" will appear on the display. See "Clock" in the "Settings" section to set time-of-day. When the oven is not in use, the display shows the time-of-day.

START

The Start control starts all cooking functions, and is used to lock the control panel.

- Press and hold START for 3 seconds to lock the control panel.

CANCEL

The Cancel control stops any function except the Timer and Control Panel Lock.

COOK TIME

(REQUIRED FOR SOME OVEN MODES)

The Cook Time feature allows the oven to be set to cook for a set length of time, and then turn off automatically.

IMPORTANT: You must select an Oven Mode before you can set a Cook Time.

NOTES:

- Cook Time can be set in hours or minutes up to 11 hours and 59 minutes.
- To change the cook time during cooking, press CANCEL. Enter the new cook time and press START.
- At the end of the set cook time, the oven will turn off automatically, the alert tone will sound, and "Complete" will appear in the text area.

Control Panel

To Set Cook Time:

- Select cooking mode.
- Select temperature.
- Press COOK TIME. Enter the desired cook time by pressing the number keypad.
- Press START. The oven will begin to preheat.

START TIME

This feature allows you to set the oven to turn on at a later time.

IMPORTANT: The clock must be set to the correct time-of-day.



WARNING

Food Poisoning Hazard

Do not let food sit in oven more than one hour before or after cooking. Doing so can result in food poisoning or sickness.

To Set Start Time:

- Select an Oven Mode.
- Set Temperature.
- Set Cook Time.
- Press START TIME.
- Press the number keypad to enter the desired start time. "Press START" will appear the display. If Cook Time was not set, the control will prompt you to "Set Cook Time Before Start Time."
- Place the food in the oven and close the door.
- Press START. Start Time will begin counting down until it reaches the set time-of-day.

NOTE: At the end of Cook Time, the oven will turn off automatically, an alert tone will sound and "Complete" will appear in the display.

OVEN LIGHTS

The oven lights turn On automatically when the oven door is opened, and turn Off automatically when the oven door is closed.

- Press the Light button to turn On/Off the oven lights when the oven door is closed.

NOTE: The oven lights will not come on during the Self-Clean cycle.

Control Panel

TIMER

The Timer can be set in hours or minutes up to 11 hours and 59 minutes, and counts down the set time.

NOTES:

- The Timer does not start or stop the oven.
- A reminder beep will sound until the Timer is canceled.

To Set the Timer :

1. Press TIMER. "Set TIMER" will appear in the display, and the clock will display "--:--."
2. Use the number keypad to enter the desired time. The set time "--:--" will appear in the display.
3. Press TIMER to start the timer. The time begins counting down. "TIMER Started" will appear upper right corner of the display.
4. The last minute of the timer countdown will be displayed in seconds.
5. At the end of the set time, one long beep will sound, and "TIMER End" will be displayed.
6. Press TIMER to clear the display.

To Cancel the Timer:

1. Press TIMER once to cancel the timer.

SETTINGS

FAHRENHEIT AND CELSIUS

1. The temperature is factory preset to Fahrenheit, but can be changed to Celsius.
2. Press SETTINGS. Options will appear the display.
3. Press 2 in the number keypad "TEMP UNIT" and "FAHRENHEIT". "PRESS1: DEGREE F/C" will appear the text display area.
4. Press the "1" number keypad to change the temperature unit setting.
5. Press SETTING. The temperature units have been changed.
6. Press SETTING then follow the display prompts to return to Fahrenheit.

TONES

Tones are audible signals, indicating the following basic functions:

Number of Tones	Indicates		
1	Valid Press	Function has been entered	Oven is Preheated
2	Invalid Touch Pad Press		
4	End of Cycle	End of Timer	

Control Panel

To Turn On/Off Sound:

The oven sound is factory preset for On but can be changed to Off.

1. Press SETTINGS. Options will appear in the display.
2. Press 3 on the number keypad.
3. Press "1" on the number keypad to turn OFF the sound.
4. Press SETTINGS. The sound has now been turned off.
5. Press SETTINGS, and then follow the display prompts to return the sound to On.

To Adjust Sound Volume:

The oven sound is factory preset for High but can be changed to Low.

1. Press Settings. Options will appear in the display.
2. Press 4 on the number keypad, and "SOUND VOLUME" "Press 1: HIGH/LOW" will appear the display.
3. Press "1" on the number keypad to turn the sound Low.
4. Press SETTINGS. The sound volume has now been changed.
5. Press SETTINGS then follow the display prompts to return the sound volume setting to High.

CLOCK

Before setting the clock, make sure the oven and Timer are off. **To Set the Clock:**

1. Press SETTINGS. Options will appear in the display.
2. Press 1 on the number keypad. "AM or PM" will appear in the display.
3. Press 1 to toggle between AM and PM, Press SETTINGS to confirm. "Clock" will appear in the display.
4. Press the number keypad to enter the time-of-day.
5. Press SETTINGS to confirm and set the time-of-day.

To Change the Clock to 24-Hour Format:

1. The clock can be set to display time in a 12-hour or 24-hour format. The clock is factory preset for the 12-hour format.
2. Press SETTINGS. Options will appear in the display. Press 5 in the number keypad, and "12/24 HOUR" and "12". "PRESS1: 12/24" will appear in the display text area.
3. Press 1 on the number keypad to change the 12/24-hour setting to 24-hour.
4. Press SETTINGS. The 12/24-hour setting has been changed.

Control Panel

SABBATH MODE

The Sabbath function is designed for those whose religious observances require that certain features and modes are disabled. The range is factory preset with Sabbath Mode Off.

To Turn On/Off Sabbath mode:

1. Make sure the oven is turned Off, and the meat probe is not plugged in.
NOTE: Sabbath mode cannot be set when the oven is On. The oven will not recognize the meat probe while in Sabbath mode.
2. Press SETTINGS > Press START > Press 7, and then press 1 to (toggle between ON / OFF).
3. Press SETTINGS again to enable Sabbath mode. The only cooking function that works while the oven is set to Sabbath mode is Bake.

To Bake While the Oven is in Sabbath Mode:

1. Press BAKE.
2. Enter the desired oven temperature by pressing the numbered keypad.
3. After selecting Bake and a Temperature, you have the option to set a Cook Time and Start Time before pressing START. See "Cook Time" and "Start Time."
4. Press START. Pressing Start activates Sabbath mode.

Only the Cancel control is functional.

- Press CANCEL to exit Sabbath mode. Press SETTINGS again to turn off Sabbath mode and resume normal oven operation. The display will return to the time-of-day.

NOTE: If there is a power failure while the oven is in Sabbath mode, the oven will resume in Sabbath mode when power is restored.

OVEN AUTO-OFF FEATURE

- The oven can be programmed to turn off automatically either 12 or 24 hours after the oven turns on.
- The oven control is factory preset to automatically turn off the oven 12 hours after the oven turns on.

To change the Auto-off feature from 12 hours to 24 hours:

1. Press SETTINGS.
2. Press "5" on the number keypad. "12/24 hour" and "12" will appear in the display.
3. Press "1" on the number keypad to turn the 12 to 24hour.
4. Press SETTINGS to confirm. The Auto-off feature has been changed to 24 hours.

NOTE: If you want to change the Auto-off feature back to 12 hours, press SETTINGS, and then follow the display prompts.

Control Panel

DEMONSTRATION MODE

The demonstration mode is intended for sales floor demonstrations. It should be Off for normal operation. While demonstration mode is active, the oven will not heat.

To Turn Off Demonstration Mode:

1. Press SETTINGS. Options will appear in the display. Press 9 in the number keypad, and "Demo Mode" and "ON. PRESS 1 :ON/ OFF" will appear in the display.
2. Press 1 in the number keypad to change the Demonstration Mode setting to Off.
3. Press SETTINGS. The Demonstration Mode setting has been changed.
4. Press SETTINGS, and then follow the display prompts to return the Demonstration Mode setting to On.

CONTROL LOCK

The control panel can be locked to avoid unintended use of the oven.

NOTES:

- The control cannot be locked if the oven is in the Settings menu.
- The current time of day will remain in the display when the control is locked.

To Lock Control:

1. Make sure the oven(s) is not in use and Kitchen Timer is not running.
2. Press and hold START for 3 seconds or until "LOCKED" appears in the display. "LOCKED" will remain lit in the display.
3. To Unlock Control:
4. Press and hold START for 3 seconds or until "LOCKED" scrolls in the display.

Cooktop Use

Read the instructions before installing or using this appliance.

1. This appliance shall be installed in accordance with the regulations in force and only used in a well-ventilated space.
2. The use of a gas-cooking appliance results in the production of heat and moisture in the room in which it is installed. Ensure that the kitchen is well ventilated: keep natural ventilation holes open or install a mechanical ventilation device (mechanical extractor hood).
3. Prolonged intensive use of the appliance may call for additional ventilation, for example opening of a window, or more effective ventilation, for example increasing the level of mechanical ventilation where present.

Cooktop Use

IGNITION AND OPERATION OF THE BURNERS

In order to ignite a burner, push down on the knob while rotating it counterclockwise, until the knob indicator is aligned with the ignite icon ⚡.

For models with a safety valve - Once the flame is lit, hold the knob depressed for about 3-4 seconds until the device keeps the burner automatically lit. If the burner fails to ignite, wait one minute for the gas to dissipate before attempting to reignite. Adjust the flame intensity by rotating the knob counterclockwise from MAX (maximum) to MIN (minimum).

To turn off the burner, rotate the knob clockwise until the indicator on the knob is aligned with OFF.

POWER FAILURE

In case of prolonged power failure, the surface burners can be lit manually. Hold a lit match near a burner and turn knob counterclockwise until the indicator is aligned with MAX. After the burner is lit, turn knob to desired setting.

In the case of unintentional flame extinguishing, the safety valve intervenes by shutting off the gas to the burners.

The electric igniter must not be actuated for longer than 15 seconds. Should the burner not light, or should the burner be unintentionally turned off, immediately close the burner, and wait at least 1 minute before repeating. Once ignited, adjust the flame as desired.

For lower gas consumption and a better result, use saucepans with a diameter matching the diameter of the burner, to avoid the flame coming up around the sides of the saucepan. See the Container Table. Use only flat-bottomed pans.

As soon as liquid starts to boil, turn the flame down to a level sufficient to maintain boiling.

COOKWARE

MATCH PAN DIAMETER TO FLAME SIZE

The flame should be the same size as the bottom of the pan or smaller. Do not use small pans with high flame settings as the flames can lick up the sides of the pan. Oversize pans that span two burners are placed front to rear, not side to side.

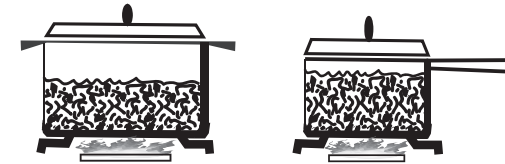
USE BALANCED PANS

Pans must sit level on the cooktop grate without rocking. Center the pan over the burner.

Cooktop Use

USE A LID THAT FITS PROPERLY

A well-fitting lid helps shorten the cooking time. Flat, heavy bottom pans provide even heat and stability.



CONTAINER TABLE

Burner	Position	Min Saucepan	Max Saucepan
Auxiliary	Rear R	3.5" (9.0 cm)	6.3" (16 cm)
Semi-rapid	Rear L and Center	5.1" (13 cm)	7.1" (18 cm)
Rapid	Front R	5.9" (15 cm)	10.2" (26 cm)
Triple ring	Front L	8.3" (21 cm)	10.2" (26 cm)

Oven Use

NOTE: When using the oven for the first time it should be operated for 15-30 minutes at a temperature of about 500° F without cooking anything inside in order to eliminate any moisture and odors from the internal insulation.

OVEN TEMPERATURE CONTROL

The oven provides accurate temperatures; however, it may cook faster or slower than your previous oven. The temperature calibration can be adjusted. It can be changed in degrees Fahrenheit or degrees Celsius. A minus sign means the oven will be cooler by the displayed amount. The absence of a minus sign means the oven will be warmer by the displayed amount. Use the following chart as a guide.

ADJUSTMENT °F (ADJUSTMENT °C)	COOKS FOOD
10°F (6°C)	a little more
20°F (12°C)	moderately more
30°F (17°C)	much more
-10°F (-6°C)	a little less
-20°F (-12°C)	moderately less
-30°F (-17°C)	much less

To Adjust Oven Temperature Calibration:

- The adjustment can be set between 30°F (18°C) and -30°F (-18°C).
- Press **SETTINGS**. Options will appear in the display. Press 8 in the number keypad. "CALIBRATION". **PRESS 3 TO INCREASE/ PRESS 6 TO DECREASE** will scroll in the display.
- Press 3 in the number keypad to increase or the 6 in the number keypad to decrease the temperature in 5°F (3°C) increments.
- Press **SETTINGS** to save the adjustment and exit the Temperature Calibration menu.

To Use the Temperature Probe:

- Insert the probe into the food.

NOTE: For meats, the probe tip should be inserted into the center of the thickest part of the meat. Make sure that the probe tip is not into the fat or touching bone.
- Place the food into the oven. Keeping the temperature probe as far away from a heat source as possible, plug the temperature probe into the oven outlet. Close the oven door.
- Select the oven mode.
- Enter the oven temperature by pressing the numbers on the keypad.
- Press **START**. The set oven temperature will appear on the display throughout cooking.
- Enter the desired internal food temperature by pressing the numbers on the keypad, and then press **START**.

NOTES:

 - The internal food temperature can be set between 110°F and 200°F (43°C and 93°C).
 - When the set probe temperature is reached, the oven will turn off.
- Press **CANCEL** when finished. Unplug the temperature probe and remove food from the oven.

NOTE: The probe icon will remain lit in the display until the probe is unplugged.

Oven Use

OVEN MODES

BAKE

Baking is cooking with heated air. Both upper and lower elements in the oven are used to heat the air, but the fan is used only during preheating. Follow the recipe or convenience food directions for baking temperature, time and rack position. Baking time will vary with the temperature of ingredients and the size, shape and finish of the baking utensil.

The temperature can be set from 170°F (77°C) to 500°F (260°C).

General Guidelines

- For best results, bake food on a single rack with at least 1" - 1½" (2,5 - 4 cm) space between bakeware and oven walls.
- Use one rack when selecting the bake mode.
- Check for doneness at the minimum time.
- Use metal bake ware (with or without a non stick finish), heatproof glass, glass ceramic, pottery or other utensils suitable for the oven.
- When using heatproof glass, reduce temperature by 25°F (15°C) from recommended temperature.
- Use baking sheets with or without sides or jelly roll pans.
- Dark metal pans or nonstick coatings will cook faster with more browning. Insulated bake ware will slightly lengthen the cooking time for most foods.
- Do not use aluminum foil or disposable aluminum trays to line any part of the oven. Foil is an excellent heat insulator and heat will be trapped beneath it. This will alter the cooking performance and can damage the finish of the oven.
- Avoid using the opened door as a shelf to place pans.
- See Troubleshooting for tips to Solving Baking and Roasting Problems.

Bake Chart

FOOD ITEM	RACK POSITION	TEMP. °F (°C) (PREHEATED OVEN)	TIME (MIN)
Cake			
Cupcakes	2	350 (175)	19-22
Bundt Cake	1	350 (175)	40-45
Angel Food	1	350 (175)	35-39
Pie			
2 crust, fresh, 9"	2	375-400 (190-205)	45-50
2 crust, frozen fruit, 9"	2	375 (190)	68-78
Cookies			
Sugar	2	350-375 (175-190)	8-10
Chocolate Chip	2	350-375 (175-190)	8-13
Brownies	2	350 (175)	29-36
Breads			
Yeast bread loaf, 9x5	2	375 (190)	18-22
Yeast rolls	2	375-400 (190-205)	12-15
Biscuits	2	375-400 (190-205)	7-9
Muffins	2	425 (220)	15-19
Pizza			
Frozen	2	400-450 (205-235)	23-26
Fresh	2	475 (246)	15-18

Oven Use

To Bake:

1. Press BAKE. "BAKE" and 350°F (177°C) will be displayed. "Set temp or START" will appear in the display.
2. Press START, if you wish to cook at 350°F (177°C).
OR
Enter the desired temperature by pressing the number keypad, and then press START. The temperature can be set from 170°F (77°C) to 500°F (260°C).

NOTES:

- The temperature may be changed at any time during cooking. Press CANCEL to clear the settings. Select oven mode, then enter the desired temperature by pressing the number keypad, and then press START.
- After selecting an Oven Mode and Temperature, you have the option to set a Cook Time and Start Time before pressing START. See "Cook Time" and "Start Time."
- 3. Once START has been pressed, the oven will begin to preheat. When the oven has reached the set temperature, a tone will sound.

NOTE: If a Delay Start time was set, the oven will turn on at the set time.

4. Place the food in the oven and close the oven door when preheat is complete.
5. Press CANCEL when finished cooking, and remove food from the oven.

BROIL

Broiling uses direct radiant heat to cook food. The lower the temperature, the slower the cooking. Thicker cuts and unevenly shaped pieces of meat, fish and poultry may cook better at lower broiling temperatures.

NOTES:

- Before broiling, position rack according to the Broiling Chart.
- For best results, use a two-piece broiler pan with a grid (not provided). It is designed to drain juices and help avoid spatter and smoke.
- For proper draining, do not cover the grid with foil. The bottom of the pan may be lined with aluminum foil for easier cleaning.
- Trim excess fat to reduce spattering. Slit the remaining fat on the edges to avoid curling.
- Select HI Broil 550°F (288°C) for most broiling. Select LO Broil 450°F (232°C) for low-temperature broiling for foods that take longer to cook, such as poultry, to avoid over browning.
- Pull out oven rack to stop position before turning or removing food. Use tongs to turn food to avoid the loss of juices. Very thin cuts of fish, poultry or meat may not need to be turned.
- After broiling, remove the pan from the oven when removing the food. Drippings will bake on the pan if left in the heated oven, making cleaning more difficult.
- Position food on grid in the broiler pan, then place it in the center of the oven rack. Close the oven door and set the control.

To Broil:

1. The temperature can be set from 450°F (232°C) to 550°F (288°C).
2. Place the food in the oven, preheating is not necessary.
3. Close the oven door.
4. Press BROIL. "BROIL" and "Set temp or START" and "550°F" (288°C) will be displayed.
5. Press START, if you wish to broil at 550°F (288°C).
OR
Enter the desired temperature by pressing the number keypad, and then press START. The temperature can be set from 450°F (232°C) to 550°F (288°C).

Oven Use

6. Once START has been pressed, "Broil" will appear in the display.

NOTES:

- The broil temperature can be changed at any time during cooking. Press CANCEL to clear the settings. Select oven mode, then enter the desired temperature by pressing the number keypad, and then press START.
- After selecting an Oven Mode and Temperature, you have the option to set a Cook Time and Start Time before pressing START. See "Cook Time" and "Start Time."

7. When cooking is finished, press CANCEL, and then remove food from the oven.

WARM/PROOF

The Warm mode keeps hot, cooked foods at serving temperature.

The Proof mode prepares dough for baking by activating the yeast. Follow the recipe directions as a guide.



WARNING

Food Poisoning Hazard

Do not let food sit in oven more than one hour before or after cooking. Doing so can result in food poisoning or sickness.

IMPORTANT: Food must be at serving temperature before placing it in the warmed oven. Food may be held up to 1 hour; however, breads and casseroles may become too dry if left in the oven during the Warm mode. For best results, cover food.

Warm

1. Press WARM/PROOF, and then press WARM on the menu screen. "WARM" and "Set Temp or START" and 140°F (60°C) will be displayed.

2. Press START, if you wish to Warm food at 140°F (60°C).

OR

Enter the desired temperature by pressing the number keypad, and then press START. The temperature can be set from 140°F (60°C) to 210°F (99°C).

3. "WARM" will appear in the display, once Start is pressed.

NOTE: After selecting an Oven Mode and Temperature, you have the option to set a Cook Time and a Start Time before pressing START. See "Cook Time" and "Start Time."

4. Place food in the oven and close the door.

5. Press CANCEL when finished, and remove food from the oven.

Proof

1. Before proofing, place the dough in a lightly greased bowl and cover loosely with wax paper, coated with shortening. Place on second rack from the bottom and close the oven door.

2. Press WARM/PROOF, and then press PROOF on the menu screen. "PROOF" and "Set Temp or START," and 100°F (38°C) will be displayed.

Oven Use

- Press START, if you wish to Proof dough at 100°F (38°C).

OR

Enter the desired temperature by pressing the number keypad, and then press START. The temperature can be set from 80°F (27°C) to 120°F (49°C).

NOTE: After selecting an Oven Mode and Temperature, you have the option to set a Cook Time and Start Time before pressing START. See “Cook Time” and “Start Time.”

- Let the dough rise until nearly doubled in size, checking after 20-25 minutes. Proofing time may vary depending on dough type and quantity.
- Press CANCEL when finished proofing.
- Before second proofing, shape the dough, place it in baking pan(s) and cover loosely with plastic wrap, coated with cooking spray. Follow the same placement and control steps above. Before baking, remove the plastic wrap.

CONVECTION

During convection cooking, the fan provides hot air circulation throughout the oven. The movement of heated air around the food can help to speed up cooking by penetrating the cooler outer surfaces. Food cooks more evenly, browning and crisping outer surfaces while sealing moisture inside.

In Convection mode, the ring element, bake and broil elements, and the fan operate to heat the oven cavity. If the oven door is opened during convection cooking or preheating, the fan turns off immediately and the element(s) will turn off. Once the door is closed, the element(s) will automatically turn on.

CONVECTION FAN

The convection fan operates during any convection mode. When the oven is operating in convection mode, the fan will turn off automatically when the door is opened. The convection fan may run in non-convection cycles during preheat.

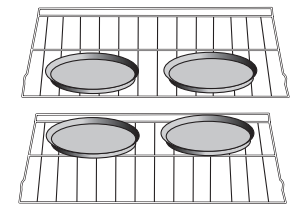
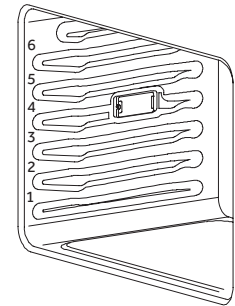
ADVANTAGES OF CONVECTION COOKING

- Saves time and energy.
- Even baking, browning and crisping are achieved.
- During roasting, juices and flavors are sealed in while the exterior is crisp.
- Yeast breads are lighter, more evenly textured, more golden and crustier.
- Air-leavened foods such as cream puffs, soufflés and meringues are higher and lighter.
- Baking on multiple racks at the same time with even results is possible.
- Prepare whole meals at once with no flavor transfer.
- Dehydrates herbs, fruits and vegetables.
- Requires no specialized bake ware.
- Convection broiling allows for extraordinary grilling with thicker cuts of food.

Oven Use

CONVECTION BAKE

- Use Convection Bake for single or multiple rack baking. Reduce standard recipe baking temperature by 25°F (15°C).
- For best results, foods should be cooked uncovered, in low-sided pans to take advantage of the forced air circulation. Use shiny aluminum pans for best results unless otherwise specified.
- Heatproof glass or ceramic can be used. Reduce temperature by another 25°F (15°C) when using heatproof glass dishes for a total reduction of 50°F (30°C).
- Dark metal pans may be used. Note that food may brown faster when using dark metal bake ware.
- The number of racks used is determined by the height of the food to be cooked.
- Baked items, for the most part, cook extremely well in convection. Don't try to convert recipes such as custards, quiches, pumpkin pie, or cheesecakes, which do not benefit from the convection-heating process. Use the regular Bake mode for these foods.
- Multiple rack cooking for oven meals is done on rack positions 1, 2, 3, 4 and 5. All five positions can be used for cookies, biscuits and appetizers.
 - 2 Rack baking: Use positions 1 and 3.
 - 3 rack baking: Use positions 2, 3 and 4 or 1, 3 and 5.
- When baking four cake layers at the same time, stagger pans so that one pan is not directly above another. For best results, place cakes on front of upper rack and back of lower rack. Allow 1" - 1½" (2,5 - 3 cm) air space around pans.



Rack 3

Rack 1

FOODS RECOMMENDED FOR CONVECTION BAKE MODE:

Appetizers Biscuits Coffee Cakes
Cookies (2 to 4 racks) Yeast Breads
Cream Puffs
Popovers
Casseroles and One-Dish Entrées
Oven Meals (rack positions 1, 2, 3)
Air Leavened Foods (Soufflés, Meringue, Meringue-Topped Desserts, Angel Food Cakes, Chiffon Cakes)

Oven Use

Temperatures have been reduced in this chart.

FOOD ITEM	RACK POSITION	TEMP. °F (°C) (PREHEATED OVEN)	TIME (MIN)
Cake			
Cupcakes	2	350 (175)	19-22
Bundt Cake	1	350 (175)	40-45
Angel Food	1	350 (175)	35-39
Pie			
2 crust, fresh, 9"	2	375-400 (190-205)	45-50
2 crust, frozen fruit, 9"	2	375 (190)	68-78
Cookies			
Sugar	2	350-375 (175-190)	8-10
Chocolate Chip	2	350-375 (175-190)	8-13
Brownies	2	350 (175)	29-36
Breads			
Yeast bread loaf, 9x5	2	375 (190)	18-22
Yeast rolls	2	375-400 (190-205)	12-15
Biscuits	2	375-400 (190-205)	7-9
Muffins	2	425 (220)	15-19
Pizza			
Frozen	2	400-450 (205-235)	23-26
Fresh	2	475 (246)	15-18

To Set Convection Bake:

1. Press Convection BAKE once. "Convect Bake" and "Set Temp or START" and 325°F (162°C) will be displayed.
2. Press START If you wish to convection bake at 325°F (162°C).
OR
Enter the desired temperature by pressing the number keypad, and then press START. The temperature can be set from 170°F (77°C) to 500°F(260°C).

NOTES:

- To change the set temperature press CANCEL. Press the number keypad to enter the desired temperature, and then press START.
 - After selecting an Oven Mode and Temperature, you have the option to set a Cook Time and Start Time before pressing START. See "Cook Time" and "Start Time."
3. Once START has been pressed, the oven will preheat. A tone will sound when the oven has reached the set temperature.
 4. Place the food in the oven and close the oven door when preheat is completed.
 5. Press CANCEL when finished, and then remove food from the oven.

Oven Use

CONVECTION BROIL

General Guidelines

- Place rack in the required position needed before turning on the oven.
- Use Convection Broil mode with the oven door closed.
- When convection broiling, enter your normal broiling temperature.
- Do not preheat oven.
- Use the 2-piece broil pan.
- Turn meats once halfway through the cooking time. See the Convection Broil chart.
- Thicker cuts and unevenly shaped pieces of meat, fish and poultry may cook better at lower broiling temperatures.

FOOD AND THICKNESS	RACK POSITION	BROIL SETTING	INTERNAL TEMP. °F (°C)	TIME SIDE 1 (MIN.)*	TIME SIDE 2 (MIN.)*
Beef					
Steak (1-½" or more)					
Medium rare	4	Low	145 (65)	9-12	8-10
Medium	4	Low	160 (71)	11-13	10-12
Well	4	Low	170 (77)	18-20	16-17
Hamburgers (more than 1")					
Medium	4	High	160 (71)	8-11	5-7
Well	4	High	170 (77)	11-13	8-10
Poultry Chicken					
Quarters Chicken	4	Low	180 (82)	16-18	10-13
Halves Chicken	3	Low	180 (82)	25-27	15-18
Breasts	4	Low	170 (77)	13-15	9-13
Pork					
Pork Chops (1¼" or more)	4	Low	160 (71)	12-14	11-13
Sausage - fresh	4	Low	160 (71)	4-6	3-5

To Set Convection Broil:

1. Place the food in the oven and close the oven door.
2. Press Convection BROIL once. "Convect Broil" and "Set Temp or START" and 450°F (232°C) will be displayed.
3. Press START, if you wish to broil at 450°F (232°C).
OR
Enter the desired temperature by pressing the number keypad, and then press START. The temperature can be set from 170°F (77°C) to 500°F (260°C).

Oven Use

NOTES:

- To change the set temperature press CANCEL. Press the number keypad to enter the desired temperature, and then press START.
 - After selecting an Oven Mode and Temperature, you have the option to set a Cook Time and Start Time before pressing START. See “Cook Time” and “Start Time.”
- Press START. “convect broil” will be displayed.
 - Press CANCEL when cooking is finished, and then remove food from the oven.

CONVECTION ROAST

When Convection roasting, enter your normal roasting temperature. The roasting time should be 15-30% less than in conventional cooking.

General Guidelines

- Do not preheat for Convection Roast.
- Roast in a low-sided, uncovered pan.
- When roasting whole chickens or turkey, tuck wings behind back and loosely tie legs with kitchen string.
- Use the 2-piece broil pan for roasting uncovered.
- Use the probe or a meat thermometer to determine the internal doneness.
- Double-check the internal temperature of meat or poultry by inserting meat thermometer into another position.
- Large poultry may need to be covered with foil (and pan roasted) during a portion of the roasting time to prevent over-browning.
- The minimum safe temperature for stuffing in poultry is 165°F (75°C).
- After removing the item from the oven, cover loosely with foil for 10 to 15 minutes before carving if necessary to increase the final foodstuff temperature by 5° to 10°F (3° to 6° C).

MEATS	WEIGHT (lb)	OVEN TEMP. °F (°C)	RACK POSITION	TIME (min. per lb)	INTERNAL TEMP. °F (°C)
Beef Rib Roast	4-6	325 (160)	2	16-20	145 (63) medium rare
				18-22	160 (71) medium
Rib Eye Roast, (boneless)	4-6	325 (160)	2	16-20	145 (63) medium rare
				18-22	160 (71) medium
Rump, Eye, Tip, Sirloin (boneless)	3-6	325 (160)	2	16-20	145 (63) medium rare
				18-22	160 (71) medium
Tenderloin Roast	2-3	400 (205)	2	15-20	145 (63) medium rare

Oven Use

MEATS	WEIGHT (lb)	OVEN TEMP. °F (°C)	RACK POSITION	TIME (min. per lb)	INTERNAL TEMP. °F (°C)
Pork Loin Roast (boneless or bone-in) Shoulder	5-8	350 (175)	2	16-20	160 (71) medium
	3-6	350 (175)	2	20-25	160 (71) medium
Poultry Chicken whole Turkey, not stuffed Turkey, not stuffed Turkey Breast Comish Hen	3-4	375 (190)	2	18-21	180 (82)
	12-15	325 (160)	1	10-14	180 (82)
	16-20	325 (160)	1	9-11	180 (82)
	21-25	325 (160)	1	6-10	180 (82)
	3-8	325 (160)	1	15-20	170 (77)
	1-1 ½	350 (175)	2	45-75 total	180 (82)
Lamb Half Leg Whole Leg	3-4	325 (160)	2	22-27	160 (71) medium
				28-33	170 (77) well
	6-8	325 (160)	1	22-27	160 (71) medium
				28-33	170 (77) well

To Set Convection Roast:

- Place the food in the oven and close the oven door.
 - Press CONVECTION ROAST. “Set Temp or START”, and 325°F (163°C) will be displayed.
 - Press START, if you wish to convection roast at 325°F (163°C).
- OR
- Enter the desired temperature by pressing the number keypad, and then press START. The temperature can be set from 170°F (77°C) to 500°F (260°C).

NOTES:

- To change the set temperature during cooking, press CANCEL. Press the number keypad to enter the desired temperature, and then press START.
 - After selecting an Oven Mode and Temperature, you have the option to set a Cook Time and Start Time before pressing START. See “Cook Time” and “Start Time.”
- Press START. After pressing START, the oven will display “CONVECT ROAST” while cooking.
 - Press CANCEL when finished, and then remove food from the oven.

Oven Use

CONVECTION CONVERSION

When using Convection Conversion, enter your normal cooking temperature and time. The convection conversion will adjust the temperature and time for perfect cooking results.

IMPORTANT:

- The oven door must be closed before selecting a Convection Conversion oven mode.
- Setting Cook Time is required for a Convection Conversion oven mode. If Cook Time was not set, the control will prompt you to Set Cook Time. See "Cook Time."

BAKED GOODS

1. Press BAKED GOODS among the Convection Conversion controls.
2. Set the oven temperature.

NOTE: The temperature can be set from 170°F (77°C) to 500°F (260°C).

3. Press START. "Set Cook Time" will appear in the display.
4. Press COOK TIME, and then enter the desired cook time by pressing the number keypad.

NOTE: If a delay start time is desired, Press START TIME, and then press the number keypad to enter the desired start time. "Press START" will appear the display.

5. Once START has been pressed, the oven begins to preheat. Once the set temperature has been reached, a tone will sound.

NOTE: Preheating can cause overcooking. If preheat is required for the recipe, add 15 minutes to the cook time. Place food in the oven at appropriate time.

6. At the end of the set Cook Time the oven will turn off automatically, the end of cycle tone will sound and "Complete" will appear in the display.

MEATS

It is not necessary to preheat the oven for the Convection Conversion MEATS mode. Preheating can cause overcooking. If preheat is required for the recipe, add 15 minutes to Cook Time, and place food in the oven at the appropriate time.

1. Place food the in oven and close the oven door.
2. Press MEATS among the Convection Conversion controls.
3. Enter your normal roasting temperature by pressing the number keypad.

NOTE: The temperature can be set from 170°F (77°C) to 500°F (260°C).

4. Press START. "Set Cook Time" will appear in the display.
5. Press COOK TIME, and then enter your normal Cook Time by pressing the number keypad. Press Start.

NOTE: Setting Cook time is required for Convection Conversion oven modes.

6. At the end of the set Cook Time the oven will turn off automatically, the end of cycle tone will sound and "Complete" will appear in the display.

Oven Use

OTHER FOODS

1. Press OTHER FOODS among the Convection Conversion controls.
2. Set the oven temperature.

NOTE: The temperature can be set from 170°F (77°C) to 500°F (260°C).

3. Press START. "Set Cook Time" will appear in the display.
4. Press COOK TIME, and then enter the desired cook time by pressing the number keypad.

NOTE: Setting Cook time is required for Convection Conversion oven modes. If a delayed start time is desired, Press START TIME, and then press the number keypad to enter the desired start time. "Press START" will appear the display.

5. Once START has been pressed, the oven begins to preheat. Once the set temperature has been reached, a tone will sound.

NOTE: Preheating can cause overcooking. If preheat is required for the recipe, add 15 minutes to the cook time. Place food in the oven at appropriate time.

6. At the end of the set Cook Time the oven will turn off automatically, the end of cycle tone will sound and "Complete" will appear in the display.

Range Care

GENERAL CLEANING

IMPORTANT: Before cleaning, make sure all controls are off and the oven and cooktop are cool. Always follow label instructions on cleaning products. Soap, water and a soft cloth or sponge are suggested first unless otherwise noted. Do not use abrasive cleaning products.

EXTERIOR PORCELAIN ENAMEL SURFACES

Food spills containing acids, such as vinegar and tomato, should be cleaned as soon as the entire appliance is cool. These spills may affect the finish.

Cleaning Method:

Glass cleaner, mild liquid cleaner or nonabrasive scrubbing pad: Gently clean around the model and serial number plate because scrubbing may remove numbers.

EXTERIOR STAINLESS STEEL

NOTE: Do not use soap-filled scouring pads, abrasive cleaners, Cooktop Polishing Cream, steel-wool pads, gritty washcloths or some paper towels. Damage may occur, even with one-time or limited use.

Rub in direction of grain to avoid damaging.

Cleaning Methods:

Liquid detergent or all-purpose cleaner: Rinse well with clean water and dry with soft, lint-free cloth.

Stainless Steel Cleaner and Polish

Vinegar for hard water spots

Range Care

OVEN DOOR EXTERIOR

Cleaning Method:

Glass cleaner and paper towels or nonabrasive plastic scrubbing pad: Apply glass cleaner to soft cloth or sponge, not directly on panel.

PORCELAIN-COATED GRATES AND CAPS

- Clean as soon as cooktop, grates and caps are cool.
- Food spills containing acids, such as vinegar and tomato, should be cleaned as soon as the cooktop grates and caps are cool. These spills may affect the finish.
- To avoid chipping, do not bang grates and caps against each other or hard surfaces such as cast iron cookware.
- Do not reassemble caps on burners while wet.

Cleaning Method:

Nonabrasive plastic scrubbing pad and mildly abrasive cleanser

BURNER SPREADER

Wash the burner spreader frequently with boiling water and detergent to remove any deposits which could block the flame outlet.

Before reinstalling, dry the burner spreader thoroughly so the burner will ignite properly.

COOKTOP CONTROL KNOBS

- Pull knobs straight away from control panel to remove.
- When replacing knobs, make sure knobs are in the Off position.

Cleaning Method:

Soap and water or dishwasher:

NOTE: Do not use steel wool, abrasive cleansers or oven cleaner. Do not soak knobs.

CONTROL PANEL

Cleaning Method:

Glass cleaner and soft cloth or sponge: Apply glass cleaner to soft cloth or sponge, not directly on panel.

NOTE: Do not use abrasive cleaners, steel-wool pads, gritty washcloths or some paper towels. Damage may occur.

OVEN CAVITY

Food spills should be cleaned when oven cools. At high temperatures, foods react with porcelain, so staining, etching, pitting or faint white spots can result.

Cleaning Method:

Mild detergent and warm water.

NOTE: Do not use oven cleaners.

Range Care

OVEN RACKS AND ROASTING RACKS

Cleaning Method: Steel-wool pad

OVEN SELF-CLEANING



WARNING



Burn Hazard

Do not touch the oven during the Self-Cleaning cycle.
Keep children away from oven during Self-Cleaning cycle.
Failure to do so can result in burns.

The Self-Cleaning cycle uses very high temperatures, burning soil to a powdery ash.

IMPORTANT: The health of some birds is extremely sensitive to the fumes given off during the Self-Cleaning cycle. Exposure to the fumes may result in death to certain birds. Always move birds to another closed and well-ventilated room.

NOTES:

- Self-clean the oven before it becomes heavily soiled. Heavy soil results in longer cleaning and more smoke.
- Keep the kitchen well-ventilated during the Self-Cleaning cycle to help get rid of heat, odors, and smoke.
- Do not clean, rub, damage or move the oven gasket. The door gasket is essential for a good seal.
- Allow the oven to cool to room temperature before using the Self-Clean feature. If your oven cavity is above 325°F (162°C), "Oven Cooling" will appear in the display and the Self-Clean cycle will not activate until it cools down.
- The oven light will not work during the Self-Cleaning cycle. On some models, the surface elements will not work during the Self-Cleaning cycle.
- When "LOCK" shows in the display, the oven door cannot be opened. To avoid damage to the door, do not force the door open when "LOCK" is displayed.

Prepare Oven:

- Remove the broiler pan, cookware and bakeware and, on some models, the temperature probe from the oven.
- Remove oven racks to keep them shiny and easy to slide. See "General Cleaning" section for more information.
- Remove any foil from the oven because it may burn or melt, damaging the oven.

Range Care

- Hand clean inside door edge and the 1½" (3.8 cm) area around the inside oven cavity frame, being certain not to move or bend the gasket. This area does not get hot enough during self-cleaning to remove soil. Do not let water, cleaner, etc., enter slots on door frame. Use a damp cloth to clean this area.
- Wipe out any loose soil to reduce smoke and avoid damage. At high temperatures, foods react with porcelain. Staining, etching, pitting or faint white spots can result. This will not affect cooking performance.

To Self-Clean the Oven:

1. Close the oven door.
2. Press SELF CLEAN. "2:00 3:00 3:30 " will appear in the display.
3. Enter the cleaning time by pressing the number keypad.
NOTE: If you want to delay the start of the self-clean cycle, press START TIME, and then set a Start Time by pressing the number keypad.
4. Press START. After the door is locked, "Oven is cleaning " will scroll in the display until the self-clean cycle is finished.
5. When the Self-clean cycle is finished, "Complete" appears in the display, and the oven turns off. When the oven temperature decreases to below 482°F (250°C), the oven door will unlock.
6. Open the oven door. Once the oven has completely cooled, remove ash with a damp cloth.
NOTE: To avoid breaking the glass, do not apply a cool, damp cloth to the inner door glass before it has cooled completely.
CAUTION: DO NOT LEAVE FOOD OR COOKING UTENSILS, ETC., IN OVEN DURING THE PYROLYTIC SELF-CLEANING MODE OF OPERATION

REPLACING AN OVEN LIGHT



WARNING



Electrical Shock Hazard

Make sure the oven and lights are cool and power to the oven has been turned off before replacing the light bulb(s).

The lenses must be in place when using the oven. The lenses serve to protect the light bulb from breaking.

The lenses are made of glass. Handle carefully to avoid breakage.

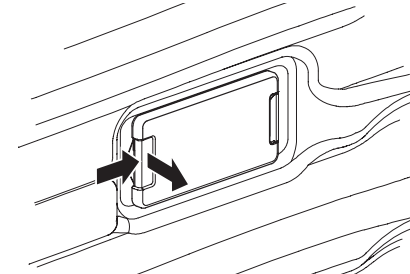
Failure to do so could result in death, electric shock, cuts or burns.

The oven light is a standard 25 watt (G9) appliance bulb.

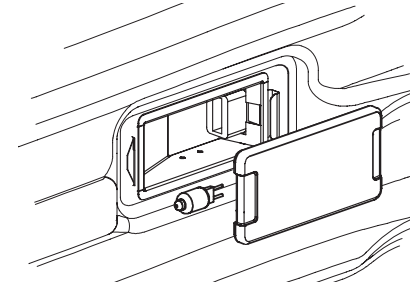
IMPORTANT: Before replacing the bulb, make sure the oven is cool and the controls are turned off.

Range Care

1. Disconnect power at the main power supply (fuse or breaker box).
2. Remove the bulb cover by pulling it out of the opening.



3. Remove the burned out bulb from the socket.



NOTE: To avoid damage or decreasing the life of the new bulb, do not touch bulb with bare fingers. Wear cotton gloves or use a tissue when replacing the light bulb.

4. Replace the bulb, and then replace the bulb cover.
5. Reconnect power at the main power supply (fuse or breaker box).

OVEN DOOR REMOVAL

For normal oven use, there is no need to remove the oven door. However, should it become necessary to remove the door, follow the instructions in this section.

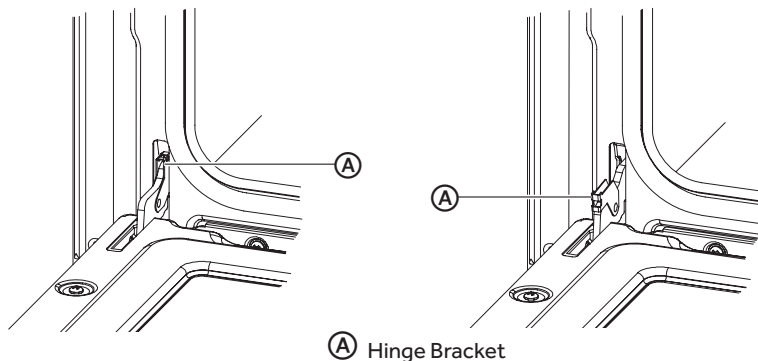
IMPORTANT:

- Make sure oven is cool and that power to the oven has been turned off before removing the door.
- The oven door is heavy and fragile, and the door front is glass. To avoid oven door glass breakage, use both hands, and grasp only the sides of the oven door to remove. Do not grasp the handle.
- Be sure both levers are securely in place before removing the door.
- Do not force door open or closed.

Range Care

To Remove the Oven Door:

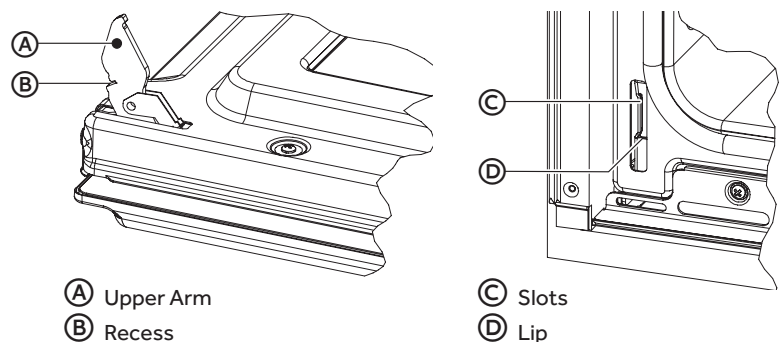
1. Open the door completely.
2. Flip up the hinge latch on each side.



3. Holding the door firmly, close the oven door completely.
4. Grasping both sides, lift up on the oven door while pushing it closed, and then pull it away from the door frame.
5. Place the door in a protected location.

To Replace the Oven Door:

1. Insert the upper arms of both hinges into the slots. The recesses must hook on the lips.



2. Open the oven door.

NOTE: You should hear a “click” sound when the door is correctly in place.

3. Move the hinge latch on each side back into the locked position.
4. Open and close the door to test that it operates freely. If it does not, repeat the door removal and replacement process.
5. Close and open the door slowly to assure that it is correctly and securely in place.

Troubleshooting

First try the solutions suggested here to possibly avoid the cost of a service call.

SOLVING BAKING AND ROASTING PROBLEMS

With any oven setting poor results can occur for many reasons other than a malfunction of the oven. Check the chart below for causes of the most common problems. Since the size, shape and material of baking utensils directly affect the baking results, the best solution may be to replace old baking utensils that have darkened and warped with age and use.

BAKING PROBLEM	CAUSE
Food browns unevenly	<ul style="list-style-type: none"> • Oven not preheated • Aluminum foil on oven rack or oven bottom • Baking utensil too large for recipe • Pans touching each other or oven walls
Food too brown on bottom	<ul style="list-style-type: none"> • Oven not preheated • Using glass, dull or darkened metal pans • Incorrect rack position • Pans touching each other or oven walls
Food is dry or has shrunk excessively	<ul style="list-style-type: none"> • Oven temperature too high • Baking time too long • Oven door opened frequently • Pan size too large
Food is baking or roasting too slowly	<ul style="list-style-type: none"> • Oven temperature too low • Oven not preheated • Oven door opened frequently • Tightly sealed with aluminum foil • Pan size too small
Piecrusts do not brown on bottom or crust is soggy	<ul style="list-style-type: none"> • Baking time not long enough • Using shiny steel pans • Incorrect rack position • Oven temperature is too low
Cakes pale, flat and may not be done inside	<ul style="list-style-type: none"> • Oven temperature too low • Incorrect baking time • Cake tested too soon • Oven door opened too often • Pan size may be too large

Troubleshooting

BAKING PROBLEM	CAUSE
Cakes high in middle with crack on top	<ul style="list-style-type: none"> Oven temperature too high Baking time too long Pans touching each other or oven walls Incorrect rack position Pan size too small
Piecrust edges too brown	<ul style="list-style-type: none"> Oven temperature too high Edges of crust too thin

COOKTOP

PROBLEM	POSSIBLE CAUSE	SOLUTION
Burner will not ignite	There is no power to the range.	Check that range is properly connected to 3- or 4-wire, 240V power supply.
Burner will not operate	First time use. Air still in the gas line.	Turn on any one of the surface burner knobs to release air from the gas lines.
	Control knob is not set correctly.	Push in knob before turning to a setting.
	The burner port is clogged.	Clean burner port opening using a stiff, nylon toothbrush or a straightened paper clip.
Burner Flames are uneven, yellow and/or noisy	Burner port(s) are clogged.	Clean burner port opening using a stiff, nylon toothbrush or a straightened paper clip.
	Burner caps are not positioned properly.	Place burner caps so that the alignment pins are properly aligned with the slots.
	Propane gas is being used.	The range should be converted to LP gas by a qualified technician.
Burner flame is too high or too low	Cooktop gas supply is not correct.	Ensure the range is set for the correct gas type. It is factory set for natural gas. If connected to LP gas the burners should be converted to LP gas with the orifice/injector kit supplied and the pressure regulator converted to the LP gas setting by a qualified technician.
	The gas pressure is not correct.	Make sure the pressure regulator is installed correctly and the gas line pressure is correct. See Installation Instructions.
Burner makes popping noises	The burner is wet.	Allow the burner to dry before using.
	The burner cap and/or gas spreader is not positioned correctly.	Place burner caps so that the alignment pins are properly aligned with the slots.
Excessive heat around cookware on cooktop	The cookware is not the proper size for the burner.	Use cookware with a bottom surface approximately the same size as the cooking area and burner. Cookware should not extend more than 1" (2.5 cm) outside the cooking area. Adjust the flame so that it does not come up around the cookware.

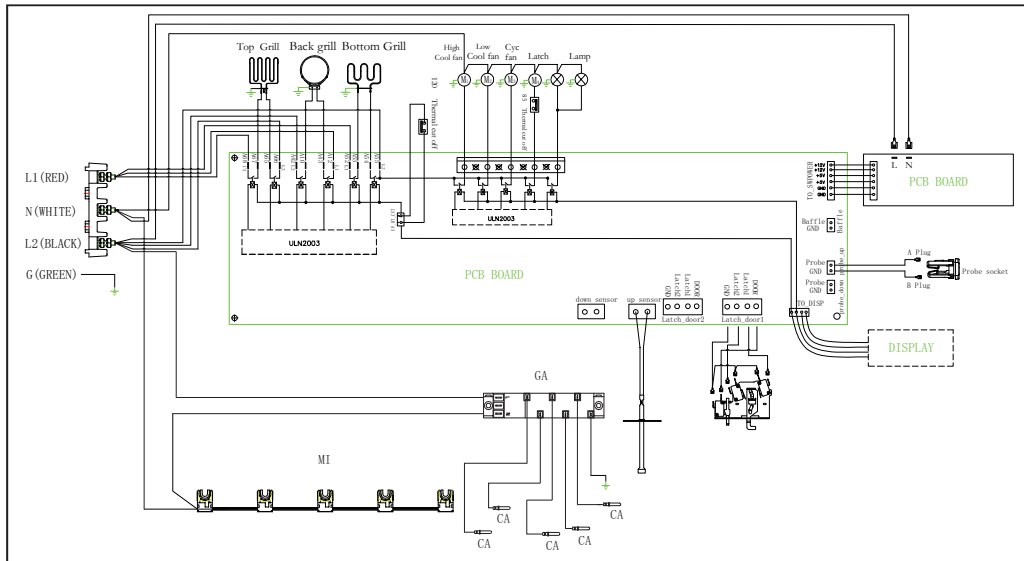
Troubleshooting

PROBLEM	POSSIBLE CAUSE	SOLUTION
Cooking results are not what expected	Using incorrect cookware	See the "Cookware" section.
	The control knob is not set to the proper heat level.	See the "Controls" section.

OVEN

PROBLEM	POSSIBLE CAUSE	SOLUTION
Oven is not heating	No power to the range.	Check the circuit breaker or fuse box to your house. Make sure there is proper electrical power to the oven.
	Oven control not turned on	Make sure the oven temperature has been selected.
Oven is not cooking evenly	Not using the correct bake ware or oven rack position	Refer to cook charts for recommended rack position. Always reduce recipe temperature by 25 °F (15 °C) when baking with Convention Bake mode.
Oven display stays Off.	Power interruption	Turn off power at the main power supply (fuse or breaker box). Turn breaker back on. If condition persists, call for service.
Cooling fan continues to run after oven is turned off	The electronic components have not yet cooled sufficiently	The fan will turn off automatically when the electronic components have cooled sufficiently.
Oven light is not working properly	Light bulb loose or burned-out.	Reinsert or replace the light bulb. Touching the bulb with fingers may cause the bulb to burn out.
Oven light stays on	Door is not closing completely	Check for obstruction in oven door. Check to see if hinge is bent or door switch broken.
Cannot remove lens cover	Soil build-up around the lens cover.	Wipe lens cover area with a clean, dry towel prior to attempting to remove the lens cover.
Clock and timer are not working properly	No power to the range.	Check the circuit breaker or fuse box to your house. Make sure there is proper electrical power to the oven.
Excessive Moisture		When using bake mode, preheat the oven first. Convection Bake and Convection Roast will eliminate any moisture in the oven.
Porcelain Chips	Porcelain interior is chipped by oven racks	When removing and replacing oven racks, always tilt racks upward and do not force them to avoid chipping the porcelain.

Circuit Diagram



GUIDE DE L'UTILISATEUR

COS-305DFSC

INSTRUCTIONS IMPORTANTES DE SÉCURITÉ

Lire attentivement l'importante information concernant la sécurité l'installation et l'entretien. Conserver ces instructions pour référence future.

SÉCURITÉ DE LA CUISINIÈRE	43
La bride antibasculement	45
PIÈCES ET CARACTÉRISTIQUES	50
TABLEAU DE COMMANDE	52
Affichage	52
Mise en marche	52
Annulation	52
Durée de cuisson	52
Heure de démarrage	53
Lampes du four	54
Minuterie	55
Réglages	54
Verrouillage des commandes	58
UTILISATION DE LA TABLE DE CUISSON	58
Panne de courant	58
Ustensiles de cuisine	58
UTILISATION DU FOUR	60
Commande de la température du four	60
Modes du four	61
convection	65
ENTRETIEN DU FOUR	73
Nettoyage général	74
Autonettoyage du four	76
Remplacement de la lampe du four	78
Dépose de la porte du four	79
DÉPANNAGE	81
Résolution de problèmes concernant la cuisson et le rôtissage	81
Tables de cuisson	82
Four	83
DIAGRAMME DU CIRCUIT	85

Votre sécurité et celle des autres est très importante.

Nous donnons de nombreux messages de sécurité importants dans ce manuel et sur votre appareil ménager. Assurez-vous de toujours lire tous les messages de sécurité et de vous y conformer.



Voici le symbole d'alerte de sécurité.

Ce symbole d'alerte de sécurité vous signale les dangers potentiels de décès et de blessures graves à vous et à d'autres. Tous les messages de sécurité suivront le symbole d'alerte de sécurité et le mot "DANGER", "AVERTISSEMENT" ou "ATTENTION".

Ces mots signifient :

DANGER

Une situation de danger imminent. Vous courez le risque d'un décès ou de blessures graves si vous ne suivez pas immédiatement les instructions.

AVERTISSEMENT

Une situation potentiellement dangereuse qui, si vous ne l'évitez pas, peut provoquer la mort ou des blessures graves.

ATTENTION

Une situation potentiellement dangereuse qui, si vous ne l'évitez pas, peut entraîner des blessures légères à modérées.

Tous les messages de sécurité vous diront quel est le danger potentiel et comment réduire le risque de blessure et ce qui peut se produire en cas de non-respect des instructions.



AVERTISSEMENT



Risque d'incendie

Si les informations figurant dans ce manuel ne sont pas suivies à la lettre, il peut en résulter un incendie ou une explosion pouvant causer des dégâts matériels, des blessures, voire un décès.

- Ne pas ranger et utiliser d'essence ou d'autres vapeurs et liquides inflammables à proximité de cet appareil ou d'un autre appareil.

- QUE FAIRE SI VOUS SENTEZ UNE ODEUR DE GAZ

- Ne pas essayer d'allumer un appareil.
 - Ne pas toucher d'interrupteur électrique.
 - Ne pas utiliser de téléphone dans votre bâtiment.
 - Faire évacuer tous les occupants de la pièce, du bâtiment ou de la zone concernée.
 - Appeler immédiatement votre fournisseur de gaz depuis chez un voisin. Suivre les instructions de votre fournisseur de gaz.
 - Si le fournisseur de gaz ne peut être rejoint, appeler les pompiers.
- L'installation et la maintenance doivent être confiées à un installateur qualifié, à un réparateur agréé ou au fournisseur de gaz.

LA BRIDE ANTIBASCULEMENT



AVERTISSEMENT



Risque de basculement

Un enfant ou une personne adulte peut faire basculer la cuisinière ce qui peut causer un décès.

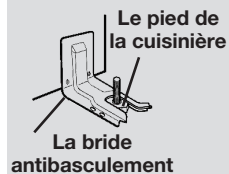
Joindre la bride antibasculement au pied arrière de la cuisinière.

Joindre de nouveau la bride antibasculement si la cuisinière est déplacée.

Voir détails dans les instructions d'installation.

Le non-respect de ces instructions peut causer un décès ou des brûlures graves aux enfants et aux adultes.

Assurez-vous qu'une bride antibasculement est installée :



- Glisser la cuisinière vers l'avant.
- Vérifier que la bride antibasculement est bien fixée au plancher.
- Glisser de nouveau la cuisinière vers l'arrière de sorte que le pied est sous la bride antibasculement.

IMPORTANTES INSTRUCTIONS DE SÉCURITÉ

AVERTISSEMENT : Afin de réduire le risque d'incendie, de choc électrique, de blessures corporelles ou de dommage lors de l'utilisation de la cuisinière, il convient d'observer certaines précautions fondamentales, notamment :

- **AVERTISSEMENT :** POUR MINIMISER LE RISQUE DE BASCULEMENT DE LA CUISINIÈRE, ELLE DOIT ÊTRE BIEN IMMOBILISÉE PAR DES DISPOSITIFS ANTIBASCULEMENT CORRECTEMENT INSTALLÉS. POUR VÉRIFIER SI LES DISPOSITIFS SONT CORRECTEMENT INSTALLÉS, FAIRE GLISSER LA CUISINIÈRE COMPLÈTEMENT VERS L'AVANT, VÉRIFIER SI LA BRIDE ANTIBASCULEMENT EST BIEN FIXÉE AU MUR SITUÉ DERRIÈRE LA CUISINIÈRE, ET FAIRE GLISSER LA CUISINIÈRE COMPLÈTEMENT VERS L'ARRIÈRE JUSQU'À CE QUE L'ENTRETOISE ARRIÈRE DE LA CUISINIÈRE SE TROUVE SOUS LA BRIDE ANTIBASCULEMENT.
- **AVERTISSEMENT :** NE JAMAIS utiliser cet appareil comme dispositif de chauffage de la pièce. Le nonrespect de cette instruction peut entraîner une intoxication au monoxyde de carbone et une surchauffe du four.
- **AVERTISSEMENT :** NE JAMAIS couvrir les fentes, trous ou passages d'air au fond du four ou couvrir entièrement une grille avec des matériaux tels que du papier d'aluminium. Le non-respect de cette instruction empêche la circulation de l'air dans le four et peut entraîner une intoxication au monoxyde de carbone. Les feuilles de papier d'aluminium peuvent également retenir la chaleur et créer un risque d'incendie.
- **MISE EN GARDE :** Ne pas remiser dans des armoires au-dessus de la cuisinière ou sur le dossier d'une cuisinière, des objets que des enfants pourraient vouloir atteindre. Les enfants pourraient se brûler ou se blesser en grimpaant sur la cuisinière.
- Ne pas laisser les enfants seuls – Les enfants ne doivent pas être laissés seuls ou sans surveillance dans la pièce où la cuisinière est en service. Ne jamais laisser les enfants s'asseoir ou se tenir sur une partie quelconque de la cuisinière.
- Porter des vêtements appropriés – Des vêtements amples ou détachés ne doivent jamais être portés pendant l'utilisation de la cuisinière.

IMPORTANTES INSTRUCTIONS DE SÉCURITÉ

- Entretien par l'utilisateur – Ne pas réparer ni remplacer toute pièce de la cuisinière si ce n'est pas spécifiquement recommandé dans le manuel. Toute autre opération d'entretien ou de réparation doit être confiée à un technicien qualifié.
- Remisage dans ou sur la cuisinière – Des matériaux inflammables ne doivent pas être remisés dans un four ou près des éléments de surface.
- Ne pas utiliser d'eau pour éteindre un feu de graisse – Étouffer le feu ou les flammes ou utiliser un extincteur à produits chimiques secs, ou un extincteur à mousse.
- N'utiliser que des mitaines de four sèches – Des mitaines de four mouillées ou humides sur des surfaces chaudes peuvent provoquer des brûlures provenant de la vapeur. Ne pas laisser les mitaines de four toucher les éléments chauffants. Ne pas utiliser une serviette ou un tissu épais.
- NE PAS TOUCHER LES ÉLÉMENTS DE SURFACE OU L'ESPACE PRÈS DES ÉLÉMENTS – Les éléments de surface peuvent être chauds même lorsqu'ils ont une teinte foncée. Les endroits près des éléments de surface peuvent devenir assez chauds pour causer des brûlures. Pendant et après l'utilisation, ne pas toucher les éléments chauffants et ne pas laisser les vêtements ou autres matériaux inflammables entrer en contact avec ces éléments de surface ou les endroits près des éléments, avant qu'ils aient suffisamment refroidi. Ces endroits comprennent la table de cuisson et les surfaces près de la table de la cuisson.
- Ne jamais laisser les éléments de la table de cuisson sans surveillance alors qu'ils chauffent à la puissance maximale. Il pourrait en résulter une ébullition qui cause de la fumée et des renversements de corps gras qui peuvent s'enflammer.
- Ustensiles de cuisson vitrifiés – Seulement certains types d'ustensiles de verre, vitrocéramique, céramique, faïence ou autres surfaces vitrifiées conviennent pour le service sur une table de cuisson, sans bris attribuables aux changements soudains de température.

IMPORTANTES INSTRUCTIONS DE SÉCURITÉ

- Les poignées des ustensiles doivent être tournées vers l'intérieur et non vers le dessus des éléments adjacents – Pour réduire le risque de brûlures, d'inflammation de produits inflammables et de renversements dus à l'entrechoquement non intentionnel des ustensiles, la poignée d'un ustensile doit être positionnée de sorte qu'elle soit tournée vers l'intérieur et non au-dessus des éléments de surface adjacents.
- Nettoyer la table de cuisson avec prudence – Si une éponge ou un chiffon mouillé est utilisé pour essuyer les renversements sur une surface de cuisson chaude, éviter les brûlures causées par la vapeur chaude. Certains nettoyants peuvent produire des émanations nocives lorsqu'ils sont utilisés sur une surface chaude.
- Exercer une grande prudence lors de l'ouverture de la porte – Laisser l'air chaud ou la vapeur s'échapper avant d'enlever ou de remplacer un plat.
- Ne pas faire chauffer des contenants fermés – L'accumulation de pression peut causer une explosion du contenant et des blessures.
- Ne jamais obstruer les ouvertures des événements.
- Positionnement des grilles du four – Toujours placer les grilles du four à la position désirée pendant que le four est froid. Si la grille doit être déplacée pendant que le four est chaud, ne pas laisser les mitaines de four toucher l'élément chaud du four.
- **NE PAS TOUCHER LES ÉLÉMENTS CHAUFFANTS OU LES SURFACES INTÉRIEURES DU FOUR** – Les éléments chauffants peuvent être chauds même s'ils ont une teinte foncée. Les surfaces intérieures d'un four deviennent assez chaudes pour causer des brûlures. Pendant et après l'utilisation, ne pas toucher ou laisser des vêtements ou autres matériaux inflammables venir en contact avec les éléments chauds ou les surfaces intérieures chaudes du four avant qu'ils aient eu assez de temps pour refroidir. D'autres surfaces de l'appareil peuvent devenir assez chaudes pour causer des brûlures. Ces surfaces comprennent les ouvertures de l'événement du four et les surfaces près de ces ouvertures, les portes du four, et les hublots des portes du four.

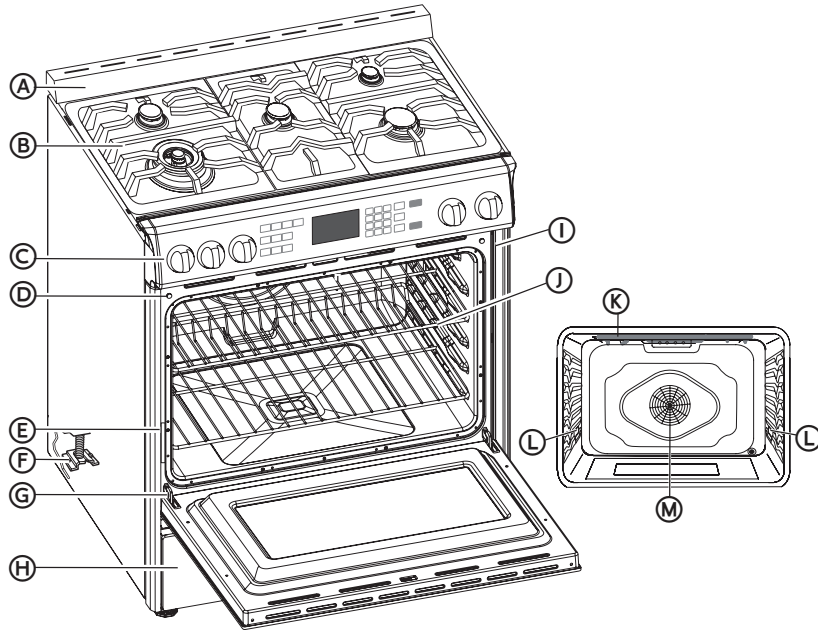
IMPORTANTES INSTRUCTIONS DE SÉCURITÉ

- Installation correcte – Une fois installée, la cuisinière doit être reliée à la terre conformément aux codes locaux, ou en l'absence de codes locaux, au *National Electrical Code ANSI/NFPA 70*. Au Canada, la cuisinière doit être reliée à la terre conformément au Code canadien des installations électriques. Be sure the range is properly installed and grounded by a qualified technician.
 - Déconnecter la source de courant électrique avant d'intervenir sur l'appareil.
 - Des blessures peuvent résulter d'un mauvais usage des portes ou tiroirs de l'appareil – par exemple marcher, s'appuyer ou s'asseoir sur les portes ou tiroirs.
 - Entretien – Maintenir la zone de la cuisinière à l'abri des matériaux combustibles, essence ou autres vapeurs ou liquides inflammables.
 - La taille de la flamme du brûleur supérieur doit être ajustée de façon à ne pas dépasser du bord de l'ustensile de cuisson.
- Pour les cuisinières avec programme d'autonettoyage –**
- Ne pas nettoyer le joint de la porte – Le joint de la porte est essentiel pour l'étanchéité. Veiller à ne pas frotter, endommager ou déplacer le joint.
 - Ne pas utiliser des produits commerciaux de nettoyage du four – On ne doit pas utiliser un produit commercial de nettoyage de four ou un enduit de protection des surfaces internes du four quel qu'en soit le type, sur les surfaces du four ou les surfaces voisines.
 - Nettoyer uniquement les pièces indiquées dans le manuel.
 - **ATTENTION: NE LAISSER AUCUN ALIMENT, UTENSILE DE CUISINE, ETC., DANS LE FOUR DURANT LE CYCLE D'AUTONETTOYAGE**
- Pour les appareils avec hotte de ventilation –**
- Nettoyer les hottes de ventilation fréquemment – La graisse ne doit pas s'accumuler sur la hotte ou le filtre.
 - Lorsque vous flambez des aliments sous la hotte, mettre le ventilateur en marche.

**LIRE ET CONSERVER
CES INSTRUCTIONS**

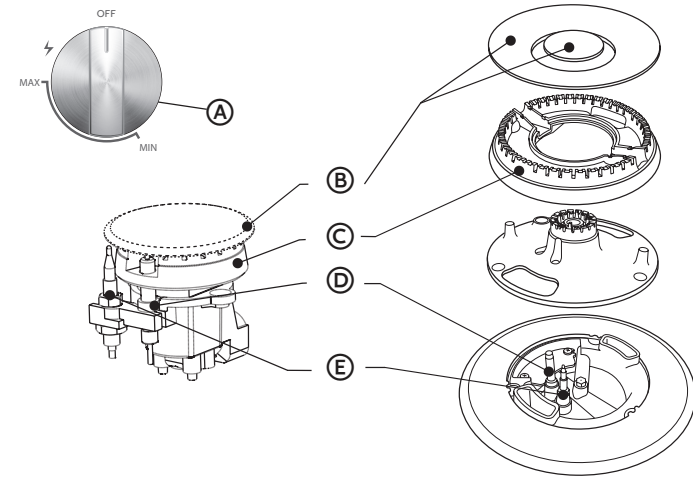
Pièces et Caractéristiques

Ce manuel couvre plusieurs modèles différents. La cuisinière que vous avez achetée peut comporter l'ensemble des articles énumérés ou seulement certains d'entre eux. L'emplacement et l'apparence des caractéristiques illustrées peuvent ne pas correspondre à ceux de votre modèle.



- | | |
|---|---|
| (A) Dossieret | (G) Charnière de porte |
| (B) Brûleur de surface avant gauche | (H) Tiroir de remisage |
| (C) Panneau de contrôle | (I) Joint d'étanchéité de la porte |
| (D) Loquet de verrouillage de la porte du four et commutateur d'éclairage du four | (J) Grille du four |
| (E) Plaque de modèle et série n° | (K) Élément de grill |
| (F) Bride antibasculement | (L) Lampe du four |
| | (M) Ventilateur à convection et élément |

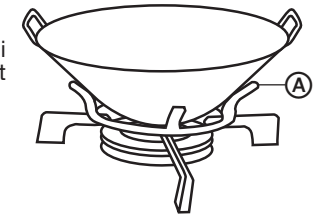
Pièces et Caractéristiques



- | | |
|--|-------------------------|
| (A) Bouton de commande sur la position Off (arrêt) | (D) Électrode |
| (B) Chapeau de brûleur | (E) Détecteur de flamme |
| (C) Tête de brûleur | |

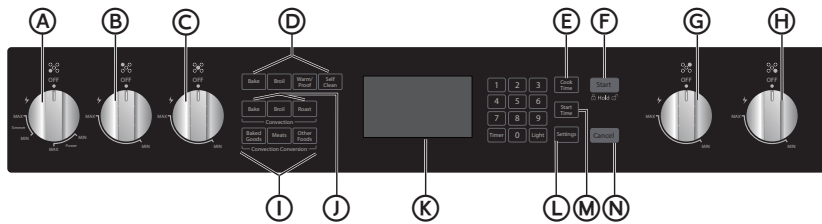
Accessoire

Le wok à fond plat et le wok à fond arrondi soutenus par le cerclage de wok (fourni) peuvent être utilisés avec tous les modèles.



- (A) Anneau de Wok

Tableau de Commande



- | | |
|-----------------------------------|---------------------------------------|
| (A) Brûleur avant gauche | (H) Brûleur avant droit |
| (B) Brûleur arrière gauche | (I) Conversion à la convection |
| (C) Brûleur central | (J) Modes de convection |
| (D) Modes du four | (K) Affichage |
| (E) Durée de cuisson | (L) Réglages |
| (F) Mise en marche | (M) Heure de démarrage |
| (G) Brûleur arrière droit | (N) Annulation |

AFFICHAGE

Lors de la mise sous tension initiale du four ou si une panne de courant se produit, "12:00 PM" s'affiche. Voir "Horloge" dans la section "Réglages" pour régler l'heure. Lorsque le four n'est pas en marche, l'affichage indique l'heure.

MISE EN MARCHÉ

La touche START (mise en marche) permet d'activer toutes les fonctions de cuisson; elle est également utilisée pour verrouiller le tableau de commande.

- Appuyer sur START (mise en marche) pendant 3 secondes pour verrouiller le tableau de commande.

ANNULATION

La touche Cancel (annulation) désactive toutes les fonctions à l'exception de la minuterie et du verrouillage du tableau de commande.

DURÉE DE CUISSON

(FONCTION REQUISE POUR CERTAINS MODES DU FOUR)

La fonction Cook Time (durée de cuisson) permet de régler le four de sorte qu'il cuise pendant une durée déterminée et qu'il s'arrête automatiquement une fois cette durée écoulée.

IMPORTANT : Avant de pouvoir régler une durée de cuisson, un mode du four doit avoir été sélectionné.

Tableau de Commande

REMARQUES :

- La durée de cuisson peut être réglée en heures ou en minutes jusqu'à concurrence de 11 heures et 59 minutes.
- Pour modifier cette durée en cours de cuisson, appuyer sur CANCEL (annulation). Entrer la nouvelle durée de cuisson, puis appuyer sur START (mise en marche).
- Une fois la durée de cuisson réglée écoulée, le four s'éteint automatiquement, le signal sonore de fin de cuisson retentit et "Complete" (terminée) apparaît dans la zone de texte.

Réglage d'une durée de cuisson :

- Sélectionner le mode de cuisson.
- Sélectionner la température.
- Appuyer sur COOK TIME (durée de cuisson). Entrer la durée de cuisson souhaitée à l'aide du clavier numérique.
- Appuyer sur START (mise en marche). Le four commence le préchauffage.

HEURE DE DÉMARRAGE

Cette fonction permet de régler le four de sorte qu'il se mette en marche plus tard.

IMPORTANT : L'horloge doit être réglée à la bonne heure.



AVERTISSEMENT

Risque d'intoxication alimentaire

Ne pas laisser d'aliments dans un four plus d'une heure avant ou après la cuisson.

Le non-respect de cette instruction peut causer une intoxication alimentaire ou une maladie.

Réglage de l'heure de démarrage :

- Sélectionner un mode du four.
- Régler la température.
- Régler la durée de cuisson.
- Appuyer sur START TIME (heure de démarrage).
- Utiliser le clavier numérique pour entrer l'heure de démarrage souhaitée. "Press START" (appuyer sur Mise en marche) s'affiche. Si aucune durée de cuisson n'a été programmée, le tableau de commande demande à l'utilisateur de régler une durée de cuisson ("Set Cook Time Before Start Time").
- Placer les aliments dans le four et fermer la porte.
- Appuyer sur START (mise en marche). La fonction Heure de démarrage effectuera un compte à rebours jusqu'à ce que l'heure programmée soit atteinte.

REMARQUE : Une fois la durée de cuisson réglée écoulée, le four s'éteint automatiquement, le signal sonore de fin de cuisson retentit et "Complete" (terminée) s'affiche.

Tableau de Commande

LAMPES DU FOUR

Les lampes du four s'allument et s'éteignent automatiquement lorsque la porte du four est ouverte et fermée.

- Lorsque la porte du four est fermée, appuyer sur la touche LIGHT (lampe) pour allumer ou éteindre la lampe du four.

REMARQUE : Les lampes des fours ne s'allument pas durant le programme d'autonettoyage.

MINUTERIE

La minuterie peut être réglée en heures ou en minutes jusqu'à concurrence de 11 heures et 59 minutes et procède à un compte à rebours de la durée réglée.

REMARQUES :

- La minuterie ne met pas en marche et n'arrête pas le four.
- Un signal sonore de rappel retentit jusqu'à ce qu'on annule la minuterie.

Réglage de la minuterie :

1. Appuyer sur TIMER (minuterie). "Set TIMER" (régler minuterie) défile sur l'affichage et l'horloge affiche "--:--".
2. Utiliser le clavier numérique pour entrer la durée souhaitée. La durée programmée "--:--" s'affiche.
3. Appuyer sur TIMER (minuterie) pour démarrer la minuterie. Le compte à rebours commence. "TIMER Started" (minuterie activée) apparaît dans le coin supérieur droit de l'affichage.
4. La dernière minute du compte à rebours de la minuterie s'affiche en secondes.
5. Lorsque la durée réglée est écoulée, un long signal sonore retentit et "TIMER End" (fin de la minuterie) s'affiche.
6. Appuyer sur TIMER (minuterie) pour effacer l'affichage.

Annulation de la minuterie :

1. Appuyez sur TIMER une fois pour annuler la minuterie.

RÉGLAGES

FAHRENHEIT ET CELSIUS

1. La température est pré-réglée à l'usine pour un affichage en degrés Fahrenheit, mais il est possible de le permuter en degrés Celsius.
2. Appuyer sur SETTINGS (réglages). Les options s'affichent.
3. Sur le clavier numérique, appuyer sur "2" pour "TEMP UNIT" (unité de température) et "FAHRENHEIT". "PRESS1: DEGREE F/C" (appuy. sur 1 : degrés C/F) apparaît dans la zone de texte.
4. Appuyer sur la touche numérique "1" pour modifier le réglage de l'unité de température.
5. Appuyer sur SETTINGS (réglages). Les unités de température ont été modifiées.
6. Appuyer sur SETTINGS (réglages) puis suivre les instructions à l'écran pour revenir aux degrés Fahrenheit.

Tableau de Commande

SIGNAUX SONORES

Les signaux sonores avertissent l'utilisateur des fonctions de base suivantes :

Nombre de signaux sonores	Indique		
1	Sélection valide	Saisie d'une fonction	Four préchauffé
2	Appui sur une touche non valide		
4	Fin de programme	Fin de la minuterie	

Activation/désactivation du son :

Le son du four est pré-réglé à l'usine sur Marche mais peut être modifié et réglé sur Arrêt.

1. Appuyer sur SETTINGS (réglages). Les options s'affichent.
2. Appuyer sur "3" sur le clavier numérique.
3. Appuyer sur "1" sur le clavier numérique pour désactiver le son.
4. Appuyer sur SETTINGS (réglages). Le son est désormais désactivé.
5. Appuyer deux fois sur SETTINGS (réglages), puis suivre les instructions à l'écran pour réactiver le son.

Réglage du volume sonore :

Le volume sonore du four est pré-réglé à l'usine sur Élevé mais peut être modifié et réglé sur Bas.

1. Appuyer sur "Settings" (réglages). Les options s'affichent.
2. Sur le clavier numérique, appuyer sur "4" pour "SOUND VOLUME" (volume sonore). "Press 1: "HIGH-LOW" (appuy. sur 1 : Élevé-Bas) s'affiche.
3. Appuyer sur la touche numérique "1" pour régler le son au niveau Bas.
4. Appuyer sur SETTINGS (réglages). Le volume sonore est désormais modifié.
5. Appuyer sur SETTINGS (réglages), puis suivre les instructions à l'écran pour rétablir le réglage du son sur Élevé.

HORLOGE

Avant de procéder au réglage de l'horloge, s'assurer que le four est éteint et que la minuterie est désactivée.

Réglage de l'horloge :

1. Appuyer sur SETTINGS (réglages). Les options s'affichent.
2. Appuyer sur la touche "1" du clavier numérique et "Clock" (horloge) s'affiche.
3. Appuyer sur "1" sur le clavier numérique. "AM or PM" (horloge) s'affiche.
4. Appuyer sur "1" (mise en marche) pour alterner entre AM (heure du matin) et PM (heure de l'après-midi/soir). Appuyer sur SETTINGS (réglages) pour confirmer. "Clock" (horloge) s'affiche.
5. Appuyer sur les touches numériques pour régler l'heure.

Tableau de Commande

Pour faire passer l'horloge au format de 24 heures :

1. L'horloge peut être réglée pour afficher l'heure selon un format de 12 heures ou de 24 heures. L'horloge est réglée à l'usine sur un format de 12 heures.
2. Appuyer sur SETTINGS (réglages). Les options s'affichent. Sur le clavier numérique, appuyer sur "5" pour "12/24 HOUR" (12/24 heures) et "12". "PRESS1: 12/24" (appuy. 1 : 12/24) apparaît dans la zone d'affichage texte.
3. Appuyer sur la touche numérique "1" pour faire passer le réglage de 12/24heures à 24 heures.
4. Appuyer sur SETTINGS (réglages). Le réglage 12/24 heures est désormais modifié.

MODE SABBAT

La fonction Sabbath (mode Sabbat) est conçue pour les personnes dont les pratiques religieuses requièrent la désactivation de certaines fonctions et de certains modes. La cuisinière est pré-réglée à l'usine avec le mode Sabbat désactivé.

Activation/désactivation du mode Sabbat :

1. S'assurer que le four est éteint et que la sonde de température n'est pas branchée.

REMARQUE : Le mode Sabbat ne peut pas être programmé lorsque le four est allumé. Le four ne reconnaîtra pas la sonde de température lorsque le mode Sabbat est activé.

2. Appuyer sur SETTINGS (réglages) > appuyer sur START (mise en marche) > appuyer sur "7", puis sur "1" pour alterner entre ON / OFF (activé/désactivé).
3. Appuyer de nouveau sur "SETTINGS" (réglages) pour activer le mode Sabbat. La seule fonction de cuisson fonctionnant avec le mode Sabbat activé est la fonction Bake (cuisson au four).

Cuisson au four avec le mode Sabbat activé :

1. Appuyer sur BAKE (cuisson au four).
2. Entrer la température du four souhaitée à l'aide du clavier numérique.
3. Après avoir sélectionné Bake (cuisson au four) et une température, il est alors possible de programmer une durée de cuisson et une heure de démarrage avant d'appuyer sur START (mise en marche). Voir les sections "Durée de cuisson" et "Heure de démarrage".
4. Appuyer sur START (mise en marche). Appuyer sur START (mise en marche) active le mode Sabbat.

Seule la fonction Cancel (annulation) est opérationnelle.

- Appuyer sur CANCEL (annulation) pour quitter le mode Sabbat. Appuyer de nouveau sur "SETTINGS" (réglages) pour désactiver le mode Sabbat et rétablir un fonctionnement normal du four. L'affichage de l'heure est rétabli.

REMARQUE : Si le four est en mode Sabbat et qu'une panne de courant se produit, le four recommencera à fonctionner en mode Sabbat une fois le courant rétabli.

Tableau de Commande

FOUR AUTO-OFF FEATURE

- Le four peut être programmé pour éteindre automatiquement 12 ou 24 heures après que le four se met en marche.
- Le module de commande du four est réglé à l'usine pour s'éteindre automatiquement 12 heures après l'allumage du four.

Pour changer la fonction Auto-off à partir de 12 heures à 24 heures:

1. Appuyer sur SETTINGS (réglages).
2. Appuyer sur la touche numérique "5". "12/24 hour" (heures) et "12" apparaît à l'affichage.
3. Appuyer sur la touche numérique "1" pour changer les 12 à 24 heures.
4. Appuyer sur SETTINGS (réglages) pour confirmer. La fonction Auto-off a été changé à 24 heures.

REMARQUE: Si vous voulez changer la fonction Auto-off retour à 12 heures, appuyez sur SETTINGS (réglages). puis suivez les instructions à l'écran.

MODE DE DÉMONSTRATION

Le mode de démonstration est réservé aux démonstrations sur les produits en rayon. Il doit être désactivé pour que l'appareil fonctionne correctement. Si le mode de démonstration est activé, le four ne chauffera pas.

Désactivation du mode de démonstration :

1. Appuyer sur SETTINGS (réglages). Les options s'affichent. Sur le clavier numérique, appuyer sur "9" pour "Demo Mode" (mode de démonstration) et "ON. PRESS 1:ON/ OFF" (Activé. appuyer sur "1" : activé/désactivé)
2. Appuyer sur la touche numérique "1" pour désactiver le mode de démonstration.
3. Appuyer sur SETTINGS (réglages). Le réglage du mode de démonstration est désormais modifié.
4. Appuyer sur SETTINGS (réglages), puis suivre les instructions à l'écran pour réactiver le réglage du mode de démonstration.

VERROUILLAGE DES COMMANDES

Le tableau de commande du four peut être verrouillé afin d'éviter l'utilisation involontaire du four.

REMARQUES :

- Les commandes ne peuvent pas être verrouillées si le four est dans le menu Settings (réglages).
- L'heure reste affichée lorsque le module de commande est verrouillé.

Verrouillage des commandes :

1. S'assurer que l'on n'utilise pas le(s) four(s) et que la minuterie de cuisine ne fonctionne pas.
2. Appuyer sur START (mise en marche) pendant 3 secondes ou jusqu'à ce que "LOCKED" (commandes verrouillées) s'affiche. "LOCKED" (commandes verrouillées) reste affiché.
3. Pour déverrouiller les commandes :
4. Appuyer sur START (mise en marche) pendant 3 secondes ou jusqu'à ce que "LOCKED" (commandes verrouillées) défile sur l'affichage.

Utilisation de la Table de Cuisson

Lire les instructions avant d'installer ou d'utiliser cet appareil.

1. L'installation de cet appareil doit être effectuée en respectant les normes en vigueur et l'appareil doit uniquement être utilisé dans un espace bien aéré.
2. L'utilisation d'un appareil de cuisson à gaz entraîne une production de chaleur et d'humidité dans la pièce dans laquelle il est installé. Veiller à ce que la pièce soit bien aérée : laisser les orifices de ventilation naturels ouverts ou installer un dispositif de ventilation mécanique (hotte à extraction mécanique).
3. Une utilisation intensive et prolongée de l'appareil peut exiger une ventilation supplémentaire, comme l'ouverture d'une fenêtre, ou une ventilation plus efficace comme l'augmentation du niveau de ventilation mécanique le cas échéant.

ALLUMAGE ET FONCTIONNEMENT DES BRÛLEURS

Afin d'allumer un brûleur, tirer sur le bouton tout en le tournant dans le sens antihoraire, jusqu'à ce que le bouton indicateur soit aligné avec l'icône ⚡ d'allumage.

Pour les modèles équipés d'une électrovanne de sécurité : une fois que la flamme est allumée, maintenir le bouton enfoncé pendant 3 à 4 secondes, jusqu'à ce que le dispositif maintienne automatiquement le brûleur allumé. Si le brûleur ne parvient pas à s'allumer, attendre une minute pour que le gaz ne se dissipe avant de tenter de l'allumer une nouvelle fois. Régler l'intensité de la flamme en tournant le bouton dans le sens antihoraire de MAX (maximum) à MIN (minimum).

Pour éteindre le brûleur, tourner le bouton dans le sens horaire jusqu'à ce que l'indicateur sur le bouton soit aligné sur OFF (arrêt).

PANNE DE COURANT

En cas de panne de courant prolongée, les brûleurs de surface peuvent être allumés manuellement. Tenir une allumette allumée près d'un brûleur et tourner le bouton dans le sens antihoraire jusqu'à ce que l'indicateur soit aligné sur MAX (maximum). Une fois le brûleur allumé, tourner le bouton jusqu'au réglage désiré.

Dans le cas d'une extinction de flamme involontaire, l'électrovanne de sécurité intervient en coupant le gaz aux brûleurs.

L'allumeur électrique ne doit pas être déclenché pendant plus de 15 secondes. Dans le cas où le brûleur ne s'allume pas, ou si le brûleur est involontairement éteint, fermer immédiatement le brûleur et attendre au moins 1 minute avant de répéter l'opération. Une fois le brûleur allumé, régler la flamme autant que désiré.

Pour une consommation de gaz réduite et un meilleur résultat, utiliser des casseroles à sauce dont le diamètre correspond à celui du brûleur, cela évite également que les flammes atteignent les bords de la casserole à sauce. Voir le tableau Réceptif. Utiliser des poêles à fond plat.

Dès que les liquides commencent à bouillir, réduire la flamme à un niveau suffisant pour que l'ébullition soit maintenue.

Utilisation de la Table de Cuisson

USTENSILES DE CUISINE

LE DIAMÈTRE DE LA CASSEROLE DOIT CORRESPONDRE AU DIAMÈTRE DE LA FLAMME

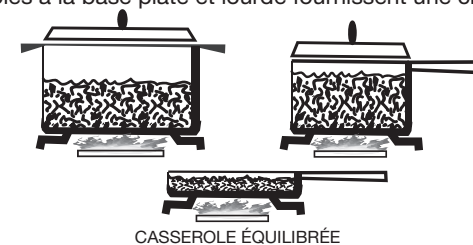
La flamme devrait avoir le même diamètre (ou un petit peu moins) que la base du récipient. Ne pas utiliser des petits récipients sur une flamme haute car les flammes pourraient brûler les côtés du récipient. Des récipients hors-mesure qui occupent deux brûleurs, doivent être placés de l'avant vers l'arrière et non pas sur deux brûleurs côte à côte.

UTILISER DES RÉCIPIENTS ÉQUILIBRÉS

Les casseroles doivent être stables sur les grilles de la table de cuisson, elles ne doivent pas osciller. Centrer le récipient sur le brûleur.

UTILISER UN COUVERCLE QUI S'ADAPTE PARFAITEMENT SUR LE RÉCIPIENT

Un couvercle qui ferme hermétiquement signifie une durée de cuisson plus courte. Des casseroles à la base plate et lourde fournissent une chaleur uniforme et stable.



POUR LA TAILLE DE L'USTENSILE

TABLEAU RÉCIPENT

Brûleur	Position	Casserole min. Casserole max.	Casserole max.
Auxiliaire	Arrière R	3,5" (9,0 cm)	6,3" (16 cm)
Semi-rapide	Arrière L et centre	5,1" (13 cm)	7,1" (18 cm)
Rapide	Avant R	5,9" (15 cm)	10,2" (26 cm)
Triple anneau	Avant L	8,3" (21 cm)	10,2" (26 cm)

Utilisation du Four

REMARQUE: Lorsque vous utilisez le four pour la première fois, il doit être utilisé pendant 15 à 30 minutes à une température d'environ 500 ° F sans rien cuire à l'intérieur afin d'éliminer toute humidité et odeurs de l'isolation interne.

COMMANDE DE LA TEMPÉRATURE DU FOUR

Le four fournit des températures précises; toutefois, il peut cuire plus rapidement ou plus lentement que votre ancien four. Le calibrage de la température peut être modifié. Il peut être modifié en degrés Fahrenheit ou Celsius.

Un signe moins signifie que le four sera plus froid du nombre de degrés affiché. L'absence de signe moins signifie que le four sera plus chaud du nombre de degrés affiché. Utiliser le tableau suivant comme guide.

AJUSTMENT EN °F (AJUSTEMENT EN ° C)	CUIT LES ALIMENTS
10°F (6°C)	un peu plus
20°F (12°C)	modérément plus
30°F (17°C)	beaucoup plus
-10°F (-6°C)	un peu moins
-20°F (-12°C)	modérément moins
-30°F (-17°C)	beaucoup moins

Ajustement du calibrage de la température du four :

1. L'ajustement peut être réglé entre 30 °F (18 °C) et - 30 °F (- 18 °C).
2. Appuyer sur SETTINGS (réglages). Les options s'affichent. Appuyer sur "8" sur le clavier numérique. "CALIBRATION". PRESS 3 TO INCREASE/ PRESS 6 TO DECREASE" (Calibrage. Appuyer sur "3" pour augmenter / appuyer sur "6" pour diminuer) défile sur l'affichage.
3. Appuyer sur la touche numérique "3" pour augmenter la température ou sur la touche numérique "6" pour la diminuer par tranches de 5 °F (3 °C).
4. Appuyer sur SETTINGS (réglages) pour sauvegarder le réglage et quitter le menu de calibrage de la température.

Utilisation du Four

MODES DU FOUR

BAKE (CUISSON AU FOUR)

La cuisson au four est une cuisson à l'air chauffé. Les éléments chauffants supérieur et inférieur du four sont utilisés pour chauffer l'air, mais le ventilateur est utilisé uniquement pendant le préchauffage.

Suivez la recette ou les instructions pour la température de cuisson et la position de la grille. Le temps de cuisson varie avec la température des ingrédients et leur taille, leur forme et la finition du plat de cuisson.

La température peut être réglée entre 170 °F (77 °C) et 500 °F (260 °C).

Guides Générales

- Pour de meilleurs résultats, cuisiner les aliments, cuisinez sur une simple grille avec au moins 1"-1½" (2,5 - 3 cm) d'espace entre les plats et les parois de four.
- N'utilisez qu'une grille lorsque vous choisissez le mode cuisson.
- Vérifiez la cuisson au temps minimum.
- Utilisez des plats en métal (avec une finition antiadhésive ou non), en verre résistant à la chaleur, en verre céramique, en poterie ou d'autres plats appropriés au four.
- Lorsque vous utilisez un plat en verre résistant à la chaleur, réduisez la température de 25°F (15°C) par rapport à la température recommandée.
- Utilisez des plats avec ou sans bord.
- Des plats en métal foncé ou avec des finitions non adhésives cuiront plus vite en brunissant plus le met. Des plats isolés ralentiront légèrement le temps de cuisson dans la plupart des cas.
- N'utilisez pas de feuille en aluminium ou de plateaux en aluminium. Une feuille est un excellent isolant de chaleur et donc la chaleur sera attrapée dessous. Cela altère la performance de cuisson et cela endommage la finition de four.
- Evitez de placer sur la porte ouverte des plats.
- Veuillez Dépannage pour obtenir des conseils à Solution des problèmes de cuisson.

Tableau de cuisson

ALIMENTS	POSITION DE GRILLE	TEMP. °F (°C) (FOUR PRÉCHAUFFE)	TEMPS (MIN)
Gâteau			
Petits gâteaux	2	350 (175)	19-22
Gâteau bundt	1	350 (175)	40-45
Gâteau des anges	1	350 (175)	35-39
Tarte			
2 croûtes, fraîches,	2	375-400 (190-205)	45-50
9po 2 croûtes, fruits surgelés, 9po	2	375 (190)	68-78

Utilisation du Four

ALIMENTS	POSITION DE GRILLE	TEMP. °F (°C) (FOUR PRÉCHAUFFE)	TEMPS (MIN)
Biscuit			
Sucré	2	350-375 (175-190)	8-10
Brisures de chocolat	2	350-375 (175-190)	8-13
Carrés au chocolat (brownies)	2	350 (175)	29-36
Pains			
Pain à levure, 9x5	2	375 (190)	18-22
Petits pains à levure	2	375-400 (190-205)	12-15
Biscuits	2	375-400 (190-205)	7-9
Muffins	2	425 (220)	15-19
Pizza (Cuisson à plusieurs grilles)			
Surgelée	2	400-450 (205-235)	23-26
Fraîche	2	475 (246)	15-18

Cuisson au four :

- Appuyer sur **BAKE** (cuisson au four). "BAKE" (cuisson au four) et 350 °F (177 °C) s'affichent. "Set temp or Press START" (Régler la température ou appuyer sur mise en marche) s'affiche.
- Appuyer sur **START** (mise en marche) si une cuisson à 350 °F (177 °C) est désirée.

OU

Entrer la température souhaitée au moyen du clavier numérique, puis appuyer sur **START** (mise en marche). La température peut être réglée entre 170 °F (77 °C) et 500 °F (260 °C).

REMARQUES :

- Le réglage de la température peut être modifié en tout temps en cours de cuisson. Appuyer sur **CANCEL** (annulation) pour effacer les réglages. Sélectionner un mode du four, puis entrer la température souhaitée au moyen du clavier numérique, puis appuyer sur **START** (mise en marche).
 - Après avoir sélectionné le mode Du four et une température, il est alors possible de programmer une durée de cuisson et une heure de démarrage avant d'appuyer sur **START** (mise en marche). Voir les sections "Durée de cuisson" et "Heure de démarrage".
- Lorsque l'on appuie sur **START** (mise en marche), le four commence à préchauffer. Lorsque le four atteint la température souhaitée, un signal sonore retentit.

REMARQUE : Si une mise en marche différée a été programmée, le four s'allume à l'heure réglée.

- Placer les aliments dans le four et fermer la porte du four une fois le préchauffage terminé.
- Une fois la cuisson terminée, appuyer sur **CANCEL** (annulation) et retirer les aliments du four.

Utilisation du Four

CUISSON AU GRIL

La cuisson au gril utilise la chaleur radiante directe pour cuire les aliments. Plus la température est basse, plus la cuisson est lente. Les morceaux épais et de forme irrégulière de viande, de poisson et de volaille cuisent mieux à des températures de cuisson au gril plus basses.

REMARQUES :

- Avant la cuisson au gril, placer la grille tel qu'indiqué dans le tableau de cuisson au gril.
- Pour de meilleurs résultats, utiliser une lèchefrite en deux parties avec grille (non fournie). Elle est conçue pour laisser s'écouler les jus et aider à éviter les éclaboussures et la fumée.
- Pour que l'écoulement puisse se faire correctement, ne pas recouvrir la grille de papier d'aluminium. Le fond de la lèchefrite peut être recouvert de papier d'aluminium pour en faciliter le nettoyage.
- Enlever l'excès de graisse pour réduire les éclaboussures. Entailler le gras résiduel sur les côtés pour éviter que la viande ne se recroqueville.
- Sélectionner la cuisson au gril en position élevée (HI), soit à 550 °F (288 °C), pour la plupart des cuissons au gril. Sélectionner une cuisson au gril en position basse (LO), soit à 450 °F (232 °C), pour la cuisson au gril à basse température d'aliments mettant plus de temps à cuire tels que la volaille, afin d'éviter une surcuisson.
- Sortir la grille jusqu'à la butée d'arrêt avant de tourner ou d'enlever les aliments. Utiliser une pince pour tourner les aliments et éviter la perte de jus. Il est possible qu'il ne soit pas nécessaire de tourner les coupes très minces de poisson, de volaille ou de viande.
- Après la cuisson au gril, sortir la lèchefrite du four en même temps que l'aliment. Les jus de cuisson cuiront sur la lèchefrite si on la laisse dans le four encore chaud et rendront le nettoyage plus difficile.
- Placer l'aliment sur la grille de la lèchefrite, puis placer celle-ci au centre de la grille du four. Fermer la porte du four et régler la commande.

Cuisson au gril :

- La température peut être réglée entre 450 °F (232 °C) et 550 °F (288 °C).
- Placer les aliments dans le four - le préchauffage n'est pas nécessaire.
- Fermer la porte du four.
- Appuyer sur **BROIL** (cuisson au gril). "BROIL" (cuisson au gril) et "Set temp or START" (Rég. temp. ou mise en marche) s'affichent.
- Appuyer sur **START** (mise en marche) si une cuisson au gril à 550 °F (288 °C) est désirée.

OU

Entrer la température souhaitée au moyen du clavier numérique, puis appuyer sur **START** (mise en marche). La température peut être réglée entre 450 °F (232 °C) et 550 °F (288 °C).

- Après avoir appuyé sur **START** (mise en marche), "Broil" (cuisson au gril) s'affiche.

Utilisation du Four

REMARQUES :

- Le réglage de la température de cuisson au gril peut être modifié en tout temps en cours de cuisson. Appuyer sur CANCEL (annulation) pour effacer les réglages. Sélectionner un mode du four, puis entrer la température souhaitée au moyen du clavier numérique, puis appuyer sur START (mise en marche).
 - Après avoir sélectionné un mode du four et une température, il est alors possible de programmer une durée de cuisson et une heure de démarrage avant d'appuyer sur START (mise en marche). Voir les sections "Durée de cuisson" et "Heure de démarrage".
7. Une fois la cuisson terminée, appuyer sur CANCEL (annulation), puis retirer les aliments du four.

MAINTIEN AU CHAUD/LEVÉE

Le mode Warm (maintien au chaud) garde au chaud les aliments cuits, à la température de service.

Le mode Proof (levée) prépare la pâte pour la cuisson au four en activant la levure. Suivre les instructions de la recette comme guide.



AVERTISSEMENT

Risque d'intoxication alimentaire

Ne pas laisser d'aliments dans un four plus d'une heure avant ou après la cuisson.

Le non-respect de cette instruction peut causer une intoxication alimentaire ou une maladie.

IMPORTANT : Les aliments doivent être à la température de service avant d'être placés dans le four chaud. Les aliments peuvent être gardés au four jusqu'à 1 heure; toutefois, les pains et les mets en sauce peuvent devenir trop secs s'ils sont laissés dans le four durant le fonctionnement du mode Warm (maintien au chaud). Pour de meilleurs résultats, couvrir les aliments.

MAINTIEN AU CHAUD

1. Appuyer sur WARM/PROOF (maintien au chaud/levée), puis sur WARM (maintien au chaud) sur l'écran des menus. "WARM" (maintien au chaud) et "Set temp or START" (Rég. temp. ou mise en marche) s'affichent.
2. Appuyer sur START (mise en marche) si un maintien au chaud à 140 °F (60 °C) est désiré.

OU

Entrer la température souhaitée au moyen du clavier numérique, puis appuyer sur START (mise en marche). La température peut être réglée entre 140 °F (60 °C) et 210 °F (99 °C).

3. "WARM" (maintien au chaud) s'affiche après avoir appuyé sur la touche START (mise en marche).

Utilisation du Four

REMARQUE : Après avoir sélectionné un mode du four et une température, il est alors possible de programmer une durée de cuisson et une heure de démarrage avant d'appuyer sur START (mise en marche). Voir les sections "Durée de cuisson" et "Heure de démarrage".

4. Placer les aliments dans le four et fermer la porte.
5. Une fois le maintien au chaud terminé, appuyer sur CANCEL (annulation) et retirer les aliments du four.

Levée

1. Avant la levée, placer la pâte dans un saladier légèrement graissé et couvrir sans serrer avec du papier ciré recouvert de shortening. Poser sur la deuxième grille en partant du bas, puis fermer la porte du four.
2. Appuyer sur WARM/PROOF (maintien au chaud/levée), puis sur PROOF (levée) sur l'écran des menus. "PROOF" (levée) et "Set temp or START" (Rég. temp. ou mise en marche) et 100 °F (38 °C) s'affichent.
3. Appuyer sur START (mise en marche) si une levée à 100 °F (38 °C) est désirée.

OU

Entrer la température souhaitée au moyen du clavier numérique, puis appuyer sur START (mise en marche). La température peut être réglée entre 80 °F (27 °C) et 120 °F (49 °C).

REMARQUE : Après avoir sélectionné un mode du four et une température, il est alors possible de programmer une durée de cuisson et une heure de démarrage avant d'appuyer sur START (mise en marche). Voir les sections "Durée de cuisson" et "Heure de démarrage".

4. Laisser la pâte lever jusqu'à ce qu'elle ait presque doublé de volume, en vérifiant après 20 à 25 minutes. La durée de levée peut varier en fonction du type de pâte et de la quantité.
5. Appuyer sur CANCEL (annulation) lorsque la levée est terminée.
6. Avant d'effectuer une seconde levée, mettre la pâte en forme, la placer dans un ustensile de cuisson au four et couvrir sans serrer avec du film étirable, enduit d'aérosol de cuisson. Reprendre le même positionnement et vérifier que les étapes ci-dessus ont bien été suivies. Avant la cuisson au four, retirer le film.

CONVECTION

Lors de la cuisson par convection, le ventilateur fait circuler l'air chaud de façon uniforme dans le four. Le déplacement de l'air chaud autour des aliments peut accélérer la cuisson par la pénétration des surfaces extérieures froides. Les aliments cuisent plus uniformément; les surfaces extérieures ont le brunissage et le croustillant recherchés tandis que l'humidité est conservée à l'intérieur.

En mode Convection, l'élément en anneau, les éléments de cuisson au four et au gril et le ventilateur sont tous sollicités pour chauffer la cavité du four. Si la porte du four est ouverte durant la cuisson par convection ou le préchauffage, le ventilateur s'éteint immédiatement et le(s) élément(s) s'éteint/s'éteignent. L'élément/les éléments se rallume(nt) une fois que la porte est fermée.

Utilisation du Four

VENTILATEUR DE CONVECTION

Le ventilateur de convection fonctionne durant n'importe quel mode de convection. Lorsque le four fonctionne en mode de convection, le ventilateur s'éteint automatiquement lorsque la porte est ouverte. Il est possible que le ventilateur de convection fonctionne durant le préchauffage pour des programmes sans convection.

AVANTAGES DE LA CUISSON PAR CONVECTION

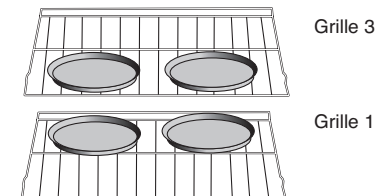
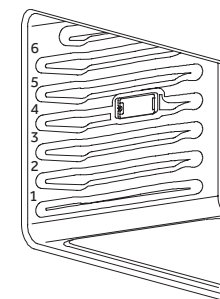
- Gains de temps et d'énergie.
- Permet de cuire, brunir et faire croustiller de façon homogène.
- Durant le rôtissage, les jus et les saveurs sont retenus à l'intérieur tandis que l'extérieur est croustillant.
- Les pains à la levure sont plus légers, leur texture est plus homogène, ils sont plus dorés et plus croustillants.
- Les aliments soufflés tels que les choux à la crème, les soufflés et les meringues sont plus hauts et plus légers.
- Il est possible de cuire au four sur plusieurs grilles en même temps d'une manière homogène.
- Préparez des pièces de viande entières sans transfert de saveur.
- Déshydrate les herbes, les fruits et les légumes.
- Ne nécessite aucun ustensile de cuisson au four particulier.
- La cuisson au gril par convection offre une excellente cuisson au gril pour les morceaux d'aliments plus épais.

CUISSON AU FOUR PAR CONVECTION

- Utiliser la fonction Convection Bake (cuisson au four par convection) pour la cuisson au four sur une ou plusieurs grilles. Réduire la température de cuisson habituelle donnée dans la recette de 25 °F (15 °C).
- Pour de meilleurs résultats, les aliments doivent être cuits non couverts et dans un plat à bords bas afin de bénéficier de la technologie de circulation d'air forcée. Sauf indication contraire, utiliser des plats en aluminium brillant pour obtenir de meilleurs résultats.
- Des plats en verre ou en céramique résistant à la chaleur peuvent être utilisés. Si des plats en verre résistant à la chaleur sont utilisés, réduire la température de 25 °F (15 °C) de plus, pour une réduction totale de 50 °F (30 °C).
- Des plats en métal foncé peuvent être utilisés. Noter que lorsqu'un ustensile en métal foncé est utilisé, les aliments peuvent alors brunir plus rapidement.
- Le nombre de grilles utilisées est déterminé par la hauteur de l'aliment à cuire.
- La plupart du temps, les aliments cuits au four par convection cuisent parfaitement bien. Ne pas tenter de convertir des recettes qui ne nécessitent pas le processus de chauffage par convection comme la crème anglaise, la quiche, la tarte à la citrouille ou le gâteau au fromage. Pour ces recettes, utiliser le mode Bake (cuisson au four) classique.

Utilisation du Four

- Plusieurs grilles de cuisson sont disponibles aux positions 1, 2, 3, 4 et 5. Les cinq grilles peuvent être utilisées pour des gâteaux, des biscuits et des biscuits apéritifs.
 - 2 grille de cuisson : Utilisez positions 1 et 3
 - 3 grille de cuisson : Utilisez positions 2, 3 et 4 ó 1,3 et 5.
- Lorsque vous cuisez plusieurs gâteaux en même temps, distribuez les plats de telle façon qu'ils ne soient pas juste l'un au-dessus de l'autre. Pour de meilleurs résultats, placez les gâteaux devant sur la grille du dessus et à l'arrière sur la grille du dessous. (Voyez le dessin à droite). Laissez 1" - 1½" (2,5 - 3 cm).



ALIMENTS RECOMMANDÉS POUR LE MODE CONVECTION EUROPÉENNE:

Biscuits apéritifs Biscuits pour café Gâteaux,
Biscuits (2 à 4 grilles) levure pains
Choux à la crème
Popovers
Casseroles et Entrées un plat,
Plats à four (grille positions 1, 2, 3),
Aliments levés à la levure (Soufflés, Meringue, Desserts garnis de meringue, Gâteaux ange, Gâteaux mousseline)

Les températures ont été réduites dans ce tableau.

ALIMENTS	POSITION DE GRILLE	TEMP. °F (°C) (FOUR PRÉCHAUFFE)	TEMPS (MIN)
Gâteau			
Petits gâteaux	2	350 (175)	19-22
Gâteau bundt	1	350 (175)	40-45
Gâteau des anges	1	350 (175)	35-39
Tarte			
2 croûtes, fraîches, 9 po	2	375-400 (190-205)	45-50
2 croûtes, fruits surgelés, 9 po	2	375 (190)	68-78
Biscuit			
Sucre	2	350-375 (175-190)	8-10
Brisures de chocolat	2	350-375 (175-190)	8-13
Carrés au chocolat (brownies)	2	350 (175)	29-36

Utilisation du Four

ALIMENTS	POSITION DE GRILLE	TEMP. °F (°C) (FOUR PRÉCHAUFFE)	TEMPS (MIN)
Pains			
Pain à levure, 9x5	2	375 (190)	18-22
Petits pains à levure	2	375-400 (190-205)	12-15
Biscuits	2	375-400 (190-205)	7-9
Muffins	2	425 (220)	15-19
Pizza (Cuisson à plusieurs grilles)			
Surgelée	2	400-450 (205-235)	23-26
Fraîche	2	475 (246)	15-18

Réglage de la cuisson au four par convection :

- Appuyer une fois sur CONVECTION BAKE (cuisson au four par convection). "Convect Bake" (cuisson au four par convection) et "Set temp or START" (Rég. temp. ou mise en marche) et 325 °F (162 °C) s'affichent.
- Appuyer sur START (mise en marche) si une cuisson au four par convection à 325 °F (162 °C) est désirée.

OU

Entrer la température souhaitée au moyen du clavier numérique, puis appuyer sur START (mise en marche). La température peut être réglée entre 170 °F (77 °C) et 550 °F (288 °C).

REMARQUES :

- Pour modifier la température réglée, appuyer sur CANCEL (annulation). Appuyer sur les touches numériques pour entrer la température de cuisson désirée, puis appuyer sur START (mise en marche).
 - Après avoir sélectionné un mode du four et une température, il est alors possible de programmer une durée de cuisson et une heure de démarrage avant d'appuyer sur START (mise en marche). Voir les sections "Durée de cuisson" et "Heure de démarrage".
- Lorsque l'on appuie sur START (mise en marche), le four commence à préchauffer. Un signal sonore retentit lorsque le four a atteint la température réglée.
 - Placer les aliments dans le four et fermer la porte du four une fois le préchauffage terminé.
 - Une fois la cuisson terminée, appuyer sur CANCEL (annulation) et retirer les aliments du four.

Utilisation du Four

GRIL À CONVECTION

Guides Générales

- Placez la grille dans la position appropriée avant de mettre votre four en marche.
- Utilisez le mode gril à convection avec la porte fermée.
- Pour la cuisson au gril par convection, entrer la température de cuisson au gril normale.
- Ne préchauffez pour le four.
- Utilisez le plat de rôtissage à 2 pi. ces.
- Tourner les viandes une fois à mi-cuisson du temps de cuisson recommandé (voir le tableau de gril à convection).
- Les morceaux épais et de forme irrégulière de viande, de poisson et de volaille cuisent mieux à des températures de cuisson au gril plus basses.

ALIMENTS ET ÉPAISSEUR	POSITION DE LA GRILLE	BROIL SETTING	TEMPÉRA-TURE DU FOUR °C (°F)	TEMPS CÔTÉ 1 (MIN.)*	TEMPS CÔTÉ 2 (MIN.)
Boeuf					
Steak (2,5 cm [1 po] ou plus)					
Médium saignant	4	Faible	145 (65)	9-12	8-10
Médium	4	Faible	160 (71)	11-13	10-12
Bien cuit	4	Faible	170 (77)	18-20	16-17
Hamburgers (2,5 cm [1 po] ou plus)					
Médium	4	Élevé	160 (71)	8-11	5-7
Bien cuit	4	Élevé	170 (77)	11-13	8-10
Volaille					
Quart de poulet	4	Faible	180 (82)	16-18	10-13
Deux demi-poulets	3	Faible	180 (82)	25-27	15-18
Poitrines de poulet	4	Faible	170 (77)	13-15	9-13
Porc					
Côtelettes de porc (4 cm [1 1/4 po] ou plus)	4	Faible	160 (71)	12-14	11-13
Saucisses fraîches	4	Faible	160 (71)	4-6	3-5

Cuisson au gril par convection :

- Placer les aliments dans le four et fermer la porte du four.
- Appuyer une fois sur CONVECTION BROIL (cuisson au gril par convection). "Convect Broil" (cuisson au gril par convection) et "Set temp or START" (Rég. temp. ou mise en marche) et 450 °F (232 °C) s'affichent.

Utilisation du Four

3. Appuyer sur START (mise en marche) si une cuisson au gril à 450 °F (232 °C) est désirée.

OU

Entrer la température souhaitée au moyen du clavier numérique, puis appuyer sur START (mise en marche). La température peut être réglée entre 450 °F (232 °C) et 500 °F (260 °C).

REMARQUES :

- Pour modifier la température réglée, appuyer sur CANCEL (annulation). Appuyer sur les touches numériques pour entrer la température de cuisson désirée, puis appuyer sur START (mise en marche).
 - Après avoir sélectionné un mode du four et une température, il est alors possible de programmer une durée de cuisson et une heure de démarrage avant d'appuyer sur START (mise en marche). Voir les sections "Durée de cuisson" et "Heure de démarrage".
4. Appuyer sur START (mise en marche). "Convect broil" (cuisson au gril par convection) s'affiche.
5. Une fois la cuisson terminée, appuyer sur CANCEL (annulation) et retirer les aliments du four.

RÔTISSAGE PAR CONVECTION

Pour le rôtissage par convection, entrer la température de rôtissage normale. La durée de rôtissage doit être de 15 à 30 % inférieure à la durée d'une cuisson conventionnelle.

Guides Générales

- Ne préchauffez pas lors du rôtissage à convection.
- Effectuez le rôtissage dans un plat peu profond et non couvert.
- Lorsque vous effectuez le rôtissage de poulets entiers ou de dindes, repliez les ailes et attachez sans serrer les pattes avec une ficelle de cuisine.
- Utilisez lèche-frite à 2 pièces pour les rôtissages non couverts.
- Utiliser une sonde ou un thermomètre à viande pour déterminer la cuisson interne.
- Vérifiez de nouveau la température de la viande/volaile en insérant le thermomètre à viande dans une autre position.
- Les grosses volailles peuvent avoir besoin d'être recouvertes d'une feuille durant une portion de la cuisson pour empêcher la surcuisson.
- La température interne sécuritaire minimale pour la farce de la volaille est de 165° F (75° C).
- Après avoir retiré l'aliment du four, couvrez sans serrer avec une feuille d'aluminium pendant 10 à 15 minutes avant le découpage si nécessaire afin d'augmenter la température de l'aliment de 5° à 10° F (3° à 6° C).

Utilisation du Four

VIANDES	POIDS lb (kg)	TEMP. FOUR °C (°F)	POSITION DE LA GRILLE	TEMPS DE RÔTISSAGE (Min/)	TEMP. INTERNE °C (°F)
Boeuf					
Côte de boeuf	4-6	325 (160)	2	16-20 18-22	145 (63) saignant 160 (71) moyen
Rosbif de faux- filet (sans os)	4-6	325 (160)	2	16-20 18-22	145 (63) saignant 160 (71) moyen
Croupe, filet, pointe de surlonge (sans os)	3-6	325 (160)	2	16-20 18-22	145 (63) saignant 160 (71) moyen
Rôti de filet	2-3	400 (205)	2	15-20	145 (63) saignant
Porc					
Longe de porc (sans os ou avec os)	5-8	350 (175)	2	16-20	160 (71) moyen
Épaule	3-6	350 (175)	2	20-25	160 (71) moyen
Volaille					
Poulet entier, non farci	3-4	375 (190)	2	18-21	180 (82)
Dinde non farcie	12-15	325 (160)	1	10-14	180 (82)
Dinde non farcie	16-20	325 (160)	1	9-11	180 (82)
Dinde non farcie	21-25	325 (160)	1	6-10	180 (82)
Poitrine	3-8	325 (160)	1	15-20	170 (77)
Poulet de Cournouailles	1-1 ½	350 (175)	2	45-75 total	180 (82)
Agneau					
Demi-gigot	3-4	325 (160)	2	22-27 28-33	160 (71) moyen 170 (77) bien cuit
Gigot entier	6-8	325 (160)	1	22-27 28-33	160 (71) moyen 170 (77) bien cuit

Utilisation du Four

Réglage du rôtissage par convection :

1. Placer les aliments dans le four et fermer la porte du four.
2. Appuyer sur CONVECTION ROAST (rôtissage par convection). "Set temp or START" (Rég. temp. ou mise en marche) et 325 °F (163 °C) s'affichent.
3. Appuyer sur START (mise en marche) si un rôtissage par convection à 325 °F (163 °C) est désiré.

OU

Entrer la température souhaitée au moyen du clavier numérique, puis appuyer sur START (mise en marche). La température peut être réglée entre 170 °F (77 °C) et 500 °F (260 °C).

REMARQUES :

- Pour modifier la température réglée durant la cuisson, appuyer sur CANCEL (annulation). Appuyer sur les touches numériques pour entrer la température de cuisson désirée, puis appuyer sur START (mise en marche).
 - Après avoir sélectionné un mode du four et une température, il est alors possible de programmer une durée de cuisson et une heure de démarrage avant d'appuyer sur START (mise en marche). Voir les sections "Durée de cuisson" et "Heure de démarrage".
4. Appuyer sur START (mise en marche). Après avoir appuyé sur START (mise en marche), le four affiche "CONVECT ROAST" (rôtissage par convection) durant la cuisson.
 5. Une fois la cuisson terminée, appuyer sur CANCEL (annulation) et retirer les aliments du four.

CONVERSION À LA CONVECTION

Pour utiliser le mode Convection Conversion (conversion à la convection), entrer la température et la durée de cuisson normales. La fonction de conversion à la convection ajustera la température et la durée de cuisson de sorte à obtenir des résultats de cuisson optimaux.

IMPORTANT :

- Pour pouvoir sélectionner le mode de four Convection Conversion (conversion à la convection), la porte du four doit être fermée.
- Il est nécessaire de programmer une durée de cuisson en mode Convection Conversion (conversion à la convection). Si aucune durée de cuisson n'a été programmée, le tableau de commande demande à l'utilisateur de régler une durée de cuisson ("Set Cook Time"). Voir la section "Durée de cuisson".

PRODUITS DE BOULANGERIE

1. Parmi les commandes du mode Convection Conversion (conversion à la convection), choisir BAKED GOODS (produits de boulangerie).
2. Régler la température du four.

REMARQUE : La température peut être réglée entre 170 °F (77 °C) et 500 °F (260 °C).

3. Appuyer sur START (mise en marche). "Set Cook Time" (régler la durée de cuisson) s'affiche.

Utilisation du Four

4. Appuyer sur COOK TIME (durée de cuisson), puis entrer la durée de cuisson souhaitée à l'aide du clavier numérique.

REMARQUE : Si une heure de démarrage différé est souhaitée, appuyer sur START TIME (heure de démarrage) puis entrer l'heure de démarrage souhaitée au moyen du clavier numérique. "Press START" (appuyer sur Mise en marche) s'affiche.

5. Lorsque l'on appuie sur START (mise en marche), le four commence à préchauffer. Une fois la température réglée atteinte, un signal sonore se fait entendre.

REMARQUE : Le préchauffage peut entraîner une surcuisson. Si la recette nécessite un préchauffage, ajouter 15 minutes à la durée de cuisson. Placer les aliments dans le four au moment opportun.

6. Une fois la durée de cuisson réglée écoulée, le four s'éteint automatiquement, le signal sonore de fin de programme retentit et "Complete" (terminée) s'affiche.

VIANDES

Il n'est pas nécessaire de préchauffer le four avec la fonction MEATS (viandes) du mode Convection Conversion (conversion à la convection). Le préchauffage peut entraîner une surcuisson. Si un préchauffage est requis par la recette, ajouter 15 minutes à la durée de cuisson, et placer les aliments dans le four au moment opportun.

1. Placer les aliments dans le four et fermer la porte du four.
2. Parmi les commandes du mode Convection Conversion (conversion à la convection), choisir la fonction MEATS (viandes).
3. Entrer la température de rôtissage normale à l'aide du clavier numérique.
REMARQUE : La température peut être réglée entre 170 °F (77 °C) et 500 °F (260 °C).
4. Appuyer sur START (mise en marche). "Set Cook Time" (régler la durée de cuisson) s'affiche.

5. Appuyer sur COOK TIME (durée de cuisson), puis entrer la durée de cuisson normale à l'aide du clavier numérique. Appuyer sur START (mise en marche).

REMARQUE : Il est nécessaire de programmer une durée de cuisson pour les fonctions du mode Convection Conversion (conversion à la convection).

6. Une fois la durée de cuisson réglée écoulée, le four s'éteint automatiquement, le signal sonore de fin de programme retentit et "Complete" (terminée) s'affiche.

AUTRES ALIMENTS

1. Parmi les commandes du mode Convection Conversion (conversion à la convection), choisir la fonction OTHER FOODS (autres aliments).

2. Régler la température du four.

REMARQUE : La température peut être réglée entre 170 °F (77 °C) et 500 °F (260 °C).

3. Appuyer sur START (mise en marche). "Set Cook Time" (régler la durée de cuisson) s'affiche.

Utilisation du Four

- Appuyer sur COOK TIME (durée de cuisson), puis entrer la durée de cuisson souhaitée à l'aide du clavier numérique.

REMARQUE : Il est nécessaire de programmer une durée de cuisson pour les fonctions du Convection Conversion (conversion à la convection).

Si une heure de démarrage différé est souhaitée, appuyer sur START TIME (heure de démarrage), puis entrer l'heure de démarrage souhaitée au moyen du clavier numérique. "Press START" (appuyer sur Mise en marche) s'affiche.

- Lorsque l'on appuie sur START (mise en marche), le four commence à préchauffer. Une fois la température réglée atteinte, un signal sonore retentit.

REMARQUE : Le préchauffage peut entraîner une surcuisson. Si la recette nécessite un préchauffage, ajouter 15 minutes à la durée de cuisson. Placer les aliments dans le four au moment opportun.

- Une fois la durée de cuisson réglée écoulee, le four s'éteint automatiquement, le signal sonore de fin de programme retentit et "Complete" (terminée) s'affiche.

Entretien du Four

NETTOYAGE GÉNÉRAL

IMPORTANT : Avant le nettoyage, s'assurer que toutes les commandes sont éteintes et que le four et la table de cuisson sont froids. Toujours suivre les instructions figurant sur les étiquettes des produits de nettoyage. L'usage de savon, d'eau et d'un chiffon doux ou d'une éponge est suggéré en priorité, sauf indication contraire. Ne pas utiliser de produits de nettoyage abrasifs.

SURFACES EXTÉRIEURES ÉMAILLÉES

Les renversements d'aliments contenant des produits acides, tels que vinaigre et tomates, doivent être nettoyés dès que l'appareil a refroidi. Ces salissures peuvent endommager le fini.

Méthode de nettoyage :

Nettoyant à vitre, nettoyant doux liquide ou tampon à récurer non abrasif : Nettoyer délicatement autour des numéros de modèle et de série car le frottement pourrait en effacer les chiffres.

EXTÉRIEUR ACIER INOXYDABLE

REMARQUE : Ne pas utiliser de tampons à récurer savonneux, de nettoyeurs abrasifs, de crème à polir pour table de cuisson, de tampons en laine d'acier, de chiffons de lavage rugueux ou certains essuie-tout en papier. Des dommages peuvent survenir, même en cas d'utilisation limitée ou non renouvelée. Frotter dans la direction du grain pour éviter les dommages.

Méthodes de nettoyage :

Détergent liquide ou nettoyant tout-usage : Rincer à l'eau propre et sécher avec un chiffon doux sans charpie.

Nettoyant pour acier inoxydable et poli.

Vinaigre pour les taches d'eau dure.

Entretien du Four

EXTÉRIEUR DE LA PORTE DU FOUR

Méthode de nettoyage :

Nettoyant à vitre et essuie-tout ou tampon à récurer en plastique non abrasif : Appliquer le nettoyant à vitre sur un chiffon doux ou une éponge, et non directement sur le tableau.

GRILLES ET CHAPEAUX ÉMAILLÉS

- Nettoyer dès que la table de cuisson, les grilles et les chapeaux ont refroidi.
- Les renversements d'aliments contenant des produits acides, tels que vinaigre et tomates, doivent être nettoyés dès que la table de cuisson, les grilles et les chapeaux ont refroidi. Ces salissures peuvent endommager le fini.
- Pour éviter l'écaillage, ne pas entrechoquer les grilles et les chapeaux ni les frapper contre des surfaces dures telles que les ustensiles en fonte.
- Ne pas réinstaller les chapeaux sur les brûleurs lorsqu'ils sont mouillés.

Méthode de nettoyage :

Ustensile de récurage en plastique non abrasif et nettoyant légèrement abrasif

RÉPARTITEUR DU BRÛLEUR

Nettoyer fréquemment le répartiteur du brûleur avec de l'eau bouillante et du détergent afin de retirer tout dépôt qui pourrait obstruer la sortie des flammes.

Avant la réinstallation, sécher soigneusement le répartiteur du brûleur pour que le brûleur s'allume correctement.

BOUTONS DE COMMANDE DE LA TABLE DE CUISSON

- Tirer les boutons en ligne droite hors du tableau de commande pour les enlever.
- Lors de la réinstallation des boutons, s'assurer que chacun d'entre eux est en position Off (arrêt).

Méthode de nettoyage :

Savon et eau ou lave-vaisselle :

REMARQUE : Ne pas utiliser de laine d'acier, de produits de nettoyage abrasifs ou de nettoyant pour four. Ne pas immerger les boutons de commande.

TABLEAU DE COMMANDE

Méthode de nettoyage :

Nettoyant à vitre et chiffon doux ou éponge : Appliquer le nettoyant à vitre sur un chiffon doux ou une éponge, et non directement sur le tableau.

REMARQUE : Ne pas utiliser de produits de nettoyage abrasifs, tampons en laine d'acier, chiffons de lavage rugueux ou certains essuie-tout en papier. Des dommages peuvent survenir.

Entretien du Four

CAVITÉ DU FOUR

Les éclaboussures alimentaires doivent être nettoyées lorsque le four a refroidi. À haute température, les aliments réagissent avec l'émail et peuvent ainsi provoquer la formation de taches, une attaque acide, des piqûres ou des décolorations blanchâtres.

Méthode de nettoyage :

Détergent doux et eau tiède.

REMARQUE : Ne pas utiliser de nettoyeurs à four.

GRILLES DE FOUR ET DE RÔTISSAGE

Méthode de nettoyage :

Tampon en laine d'acier

AUTONETTOYAGE DU FOUR



AVERTISSEMENT

Risque de brûlures



Ne pas toucher le four au cours du programme d'autonettoyage.

Ne pas laisser les enfants s'approcher du four au cours du programme d'autonettoyage.

Le non-respect de ces instructions peut causer des brûlures.

Le programme d'autonettoyage utilise des températures très élevées, brûlant les saletés pour les réduire en cendres.

IMPORTANT : La santé de certains oiseaux est très sensible aux émanations qui surviennent durant le programme d'autonettoyage. L'exposition aux émanations peut entraîner la mort de certains oiseaux. Toujours déplacer les oiseaux dans une autre pièce fermée et bien aérée.

REMARQUES :

- Procéder à l'autonettoyage du four avant qu'il ne devienne très sale. Les saletés intenses nécessitent un nettoyage plus long et dégagent plus de fumée.
- Veiller à ce que la cuisine soit bien aérée pendant le programme d'autonettoyage afin d'aider à éliminer la chaleur, les odeurs et la fumée.
- Ne pas nettoyer, frotter, endommager ou déplacer le joint d'étanchéité du four. Le joint de la porte est essentiel pour une bonne étanchéité.
- Laisser le four refroidir à température ambiante avant d'utiliser la caractéristique d'autonettoyage. Si la température de la cavité du four est supérieure à 325 °F (162 °C), "Oven Cooling" (four en cours de refroidissement) s'affiche et le programme d'autonettoyage ne s'active pas tant que le four n'a pas refroidi.

Entretien du Four

- La lampe du four ne fonctionne pas durant le programme d'autonettoyage. Sur certains modèles, les éléments de surface ne fonctionnent pas durant le programme d'autonettoyage.
- Tant que "LOCK" (verrouillé) est affiché, il est impossible d'ouvrir la porte. Pour éviter d'endommager la porte, ne pas forcer l'ouverture de la porte tant que "LOCK" (verrouillé) est affiché.

Préparation du four :

- Sortir du four la lèchefrite et les ustensiles de cuisson au four et, sur certains modèles, la sonde de température.
- Sortir les grilles du four pour les garder brillantes et pour qu'elles glissent facilement. Voir la section "Nettoyage général" pour plus de renseignements.
- Enlever tout papier d'aluminium du four; celui-ci risquerait de brûler ou de fondre et d'endommager le four.
- Nettoyer manuellement l'intérieur de la porte et une zone de 1 1/2" (3,8 cm) sur le pourtour du cadre de la cavité du four, en prenant soin de ne pas déplacer ni plier le joint d'étanchéité. Cette section ne devient pas assez chaude au cours du programme d'autonettoyage pour pouvoir éliminer la saleté. Ne pas laisser de l'eau, un nettoyant, etc. pénétrer dans les fentes du cadre de la porte. Nettoyer avec un chiffon humide.
- Essuyer toute saleté décollée afin de réduire la fumée et d'éviter les dommages. À des températures élevées, les aliments réagissent avec la porcelaine. Cette réaction peut causer des taches, des attaques, des piqûres ou de légères taches blanches. Ceci n'affectera pas la performance de cuisson.

Autonettoyage du four :

1. Fermer la porte du four.
2. Appuyez sur SELF CLEAN. "2:00 3:00 3:30" apparaît à l'écran.
3. Entrez le temps de nettoyage en appuyant sur le clavier numérique.

REMARQUE : Si vous voulez retarder le début du cycle d'autonettoyage, appuyez sur START TIME puis définir une heure de début en appuyant sur le clavier numérique.

4. Appuyez sur START (mise en marche). Après la porte est verrouillée, "Oven is cleaning" (Four est le nettoyage) défile à l'écran jusqu'à ce que le cycle d'auto-nettoyage est terminé.
5. Lorsque le cycle autonettoyant est terminé, "Complete" apparaît à l'écran, et la four éteint. Lorsque la température du four descend en dessous de 482 °F (250 °C), la porte du four se déverrouille.
6. Ouvrir la porte du four. Lorsque le four a complètement refroidi, retirer la cendre avec un chiffon humide.

REMARQUE : Afin d'éviter de briser le verre, ne pas appliquer un chiffon humide et froid sur la partie interne du hublot de la porte avant qu'il n'ait complètement refroidi.

ATTENTION: NE LAISSER AUCUN ALIMENT, UTENSILE DE CUISINE, ETC., DANS LE FOUR DURANT LE CYCLE D'AUTONETTOYAGE

REPLACEMENT DE LA LAMPE DU FOUR



AVERTISSEMENT



Risque de choc électrique

Assurez-vous que le four et que les lumières sont froides et que le four est bien éteint avant de remplacer les ampoules.

Les lentilles doivent être remises en place lorsque vous utilisez le four. Les lentilles servent à protéger l'ampoule pour qu'elle ne se casse pas.

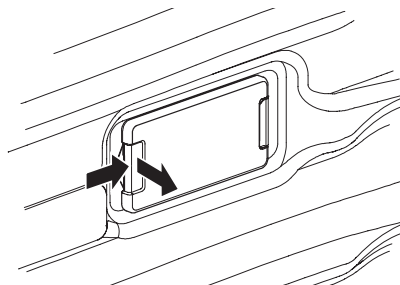
Les lentilles sont en verre. Manipulez-les avec précaution pour éviter de les casser.

Le non-respect de cette instruction pourrait causer un décès, un choc électrique, des coupures ou des brûlures.

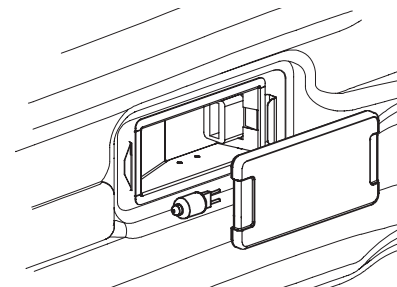
La lampe du four est une ampoule standard de 25 watts (G9) pour appareils électroménagers.

IMPORTANT : Avant de procéder au remplacement, s'assurer que le four est froid et que les commandes sont désactivées.

1. Déconnecter l'alimentation au niveau de la source de courant électrique principale (fusible ou boîtier de disjoncteurs).
2. Retirer le protège-ampoule en le dégageant (en tirant) de l'ouverture.



3. Sortir l'ampoule de la douille.



REMARQUE : Pour éviter d'endommager ou de réduire la longévité de l'ampoule neuve, ne pas toucher l'ampoule avec les doigts nus. Porter des gants en coton ou utiliser de l'essuie-tout lors du remplacement de l'ampoule.

4. Remplacer l'ampoule, puis remettre le protège-ampoule.
5. Rétablir l'alimentation au niveau de la source de courant électrique principale (fusible ou boîtier de disjoncteurs).

DÉPOSE DE LA PORTE DU FOUR

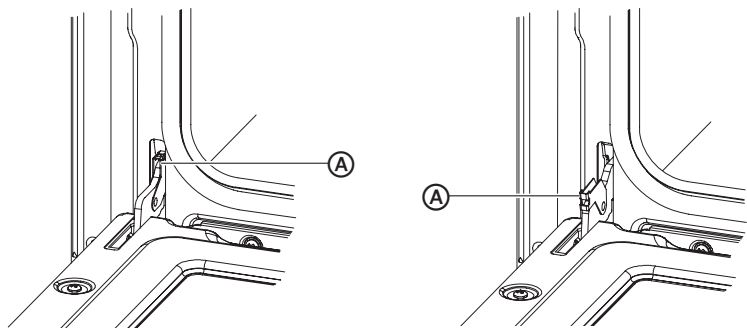
Il n'est pas nécessaire d'enlever la porte du four dans le cadre d'une utilisation normale. S'il est toutefois nécessaire de retirer la porte, suivre les instructions fournies dans cette section.

IMPORTANT :

- S'assurer que le four est froid et que l'alimentation du four a été coupée avant de retirer la porte.
- La porte du four est lourde et fragile, et l'avant de la porte est en verre. Pour éviter de briser le verre de la porte, utiliser les deux mains et agripper la porte du four uniquement par les côtés pour la retirer. Ne pas tenir la porte par la poignée.
- S'assurer que les deux leviers sont en place avant de retirer la porte.
- Ne pas forcer l'ouverture ou la fermeture de la porte.

Dépose de la porte du four :

- Ouvrir la porte complètement.
- Relever le loquet de charnière de chaque côté.

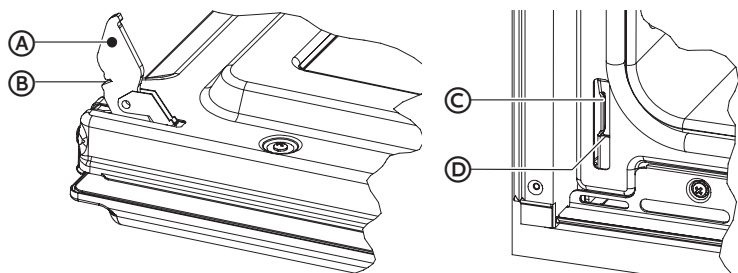


Ⓐ Charnière de porte

- En maintenant la porte fermement, fermer la porte du four complètement.
- En saisissant les deux côtés, soulever la porte en la poussant en position fermée, puis la dégager du cadre de porte en la tirant.
- Poser la porte sur une surface protégée.

Repose de la porte du four :

- Insérer les bras supérieurs des deux charnières dans les fentes. Les renforcements doivent s'accrocher sur les lèvres.



Ⓐ Bras supérieur

Ⓑ Renforcement

Ⓒ Fentes

Ⓓ Lèvre

- Ouvrir la porte du four.
REMARQUE : Vous devriez entendre un déclic lorsque la porte est correctement remise en place.
- Remettre les loquets des charnières à la position verrouillée (de chaque côté).
- Ouvrir et fermer la porte pour s'assurer que l'ouverture se fait librement. Si ce n'est pas le cas, répéter la procédure de dépose et de repose de la porte.
- Fermer et ouvrir la porte lentement pour s'assurer qu'elle est bien installée.

Essayer d'abord les solutions suggérées ici pour éviter le coût d'un appel de service.

RÉSOLUTION DE PROBLÈMES CONCERNANT LA CUISSON ET LE RÔTISSAGE

De mauvais résultats de cuisson peuvent se produire avec n'importe quel réglage du four. Ces résultats peuvent avoir plusieurs origines autres qu'un dysfonctionnement du four. Consulter le tableau ci-dessous pour connaître les causes des problèmes les plus courants. Comme la taille, la forme et le matériau des ustensiles de cuisson ont un impact direct sur les résultats de cuisson, la meilleure solution pourrait être de remplacer les vieux ustensiles de cuisson foncés et déformés avec l'âge et l'usage.

PROBLÈME CONCERNANT LA CUISSON ET LE RÔTISSAGE	CAUSE
Aliment brunissant de façon inégale	<ul style="list-style-type: none"> Four non préchauffé Papier aluminium sur la grille ou au fond du four Plat de cuisson trop grand pour la recette Plat touchant aux autres plats ou à la paroi du four
Aliment trop brun au fond	<ul style="list-style-type: none"> Four non préchauffé Utilisation de plat en verre, mat ou foncé Position de grille incorrecte Plat touchant aux autres plats ou à la paroi du four
Aliment sec ou ayant excessivement rétréci	<ul style="list-style-type: none"> Température du four trop élevée Temps de cuisson trop long Porte du four trop souvent ouverte Plat trop grand
Aliment cuisant ou rôtissant trop lentement	<ul style="list-style-type: none"> Température du four trop basse Four non préchauffé Porte du four trop souvent ouverte Plat scellé hermétiquement avec du papier aluminium Plat trop petit
Croûte à tarte non brunie au fond ou croûte non cuite	<ul style="list-style-type: none"> Temps de cuisson pas assez long Utilisation de plat en acier brillant Position de grille incorrecte Température du four trop basse
Gâteau pâle, plat, ou non cuit à l'intérieur	<ul style="list-style-type: none"> Température du four trop basse Temps de cuisson incorrect Cuisson vérifiée trop tôt Porte du four trop souvent ouverte Plat trop grand

Dépannage

PROBLÈME CONCERNANT LA CUISSON ET LE RÔTISSAGE	CAUSE
Gâteau élevé au centre avec craquelure sur les dessus.	<ul style="list-style-type: none"> • Température du four trop élevée • Temps de cuisson trop long • Plat touchant aux autres plats ou à la paroi du four • Position de grille incorrecte • Plat trop petit
Bords de croûte de tarte trop bruns	<ul style="list-style-type: none"> • Température du four trop élevée • Bords de croûte trop minces

TABLES DE CUISSON

PROBLÈME	CAUSE POSSIBLE	SOLUTION
Le brûleur ne s'allume pas	La table de cuisson n'est pas alimentée.	Vérifiez que la table de cuisson est correctement connecté à 3 ou 4 fils , 240V.
Le brûleur ne fonctionne pas	Première utilisation. Présence d'air dans la conduite de gaz.	Allumer n'importe quel brûleur de surface pour libérer l'air des canalisations de gaz.
	Le bouton de commande n'est pas réglé correctement.	Enfoncer le bouton avant de le tourner à un réglage.
	L'orifice du brûleur est obstrué.	Nettoyer l'ouverture de l'orifice du brûleur à l'aide d'une brosse à dents en nylon dure ou d'un trombone déplié.
Les flammes des brûleurs ne sont pas uniformes, sont de teinte jaune et/ou bruyantes	Le/les orifice(s) du brûleur est/sont obstrué(s).	Nettoyer l'ouverture de l'orifice du brûleur à l'aide d'une brosse à dents en nylon dure ou d'un trombone déplié.
	Les chapeaux des brûleurs ne sont pas positionnés correctement.	Installer les chapeaux des brûleurs de manière à ce que les tiges d'alignement soient bien alignées avec les encoches.
	Du gaz propane est utilisé.	La table de cuisson doit être convertie en gaz de pétrole liquéfiés (GPL), par un technicien qualifié.
La flamme du brûleur est trop élevée ou trop basse	La table de cuisson n'est pas alimentée par le bon type de gaz.	Vérifiez que la table de cuisson est réglé pour le type de gaz correcte. Il est réglé en usine pour le gaz naturel. Si connecté à gaz LP les brûleurs doivent être convertis au gaz propane avec le kit orifice/injecteur fourni et le régulateur de pression converti au réglage de gaz de pétrole liquéfié par un technicien qualifié.
	La pression du gaz n'est pas correcte.	S'assurer que le détendeur est correctement installé et que la pression de l'arrivée de gaz est correcte. Voir les Instructions d'installation.

Dépannage

PROBLÈME	CAUSE POSSIBLE	SOLUTION
Le brûleur émet des bruits d'éclatement	Le brûleur est mouillé.	Laisser sécher le brûleur avant de l'utiliser.
	Le chapeau du brûleur et/ou le diffuseur de gaz n'est pas positionné correctement.	Installer les chapeaux des brûleurs de manière à ce que les tiges d'alignement soient bien alignées avec les encoches.
Chaleur excessive autour des ustensiles de cuisson sur la table de cuisson	La taille de l'ustensile de cuisson n'est pas adaptée à celle du brûleur.	Utiliser un ustensile de cuisson dont la surface du fond est à peu près de la même taille que la surface de cuisson et le brûleur. L'ustensile de cuisson ne doit pas dépasser de plus de 1" (2,5 cm) hors de la zone de cuisson. Régler la flamme de manière à ce qu'elle n'enveloppe pas l'ustensile de cuisson.
Les résultats de cuisson ne sont pas ceux que vous aviez prévus	Utilisation d'ustensiles de cuisson inappropriés.	Voir la section "Ustensiles de cuisson".
	Le bouton de commande n'est pas réglé au bon niveau de chauffe.	Voir la section "Commandes".

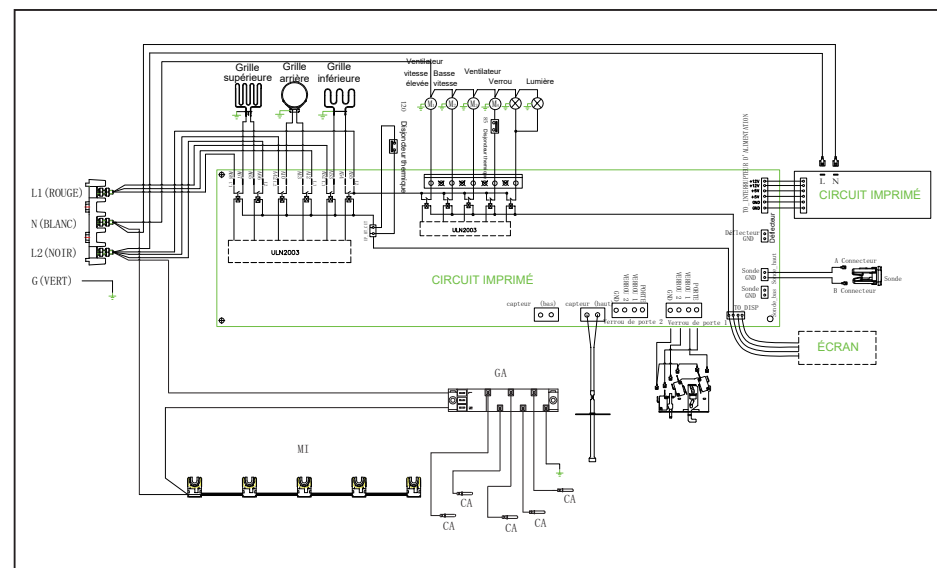
FOUR

PROBLÈME	CAUSE POSSIBLE	SOLUTION
Le four ne chauffe pas	Le four n'est pas connecté à l'alimentation électrique.	Vérifier le coupe-circuit ou la boîte à fusibles du domicile. S'assurer que le four est correctement relié à une source d'alimentation électrique.
	Le module de commande n'a pas été allumé	S'assurer que la température du four a été sélectionnée.
Le four ne chauffe pas d'une manière homogène	Utilisation d'un ustensile de cuisson au four ou d'une position de grille de four incorrect(e)	Consulter les tableaux de cuisson pour connaître la position de grille recommandée. Pour une cuisson en mode Cuisson au four par convection, toujours baisser la température de la recette de 25 °F (15 °C) .
L'affichage du four reste éteint	Panne de courant	Déconnecter la source de courant électrique principale (fusible ou boîtier de disjoncteurs). Remettre en marche le boîtier de disjoncteurs. Si le problème persiste, faire un appel de service.

Dépannage

PROBLÈME	CAUSE POSSIBLE	SOLUTION
Le ventilateur de refroidissement continue à fonctionner après que le four ait été éteint	Les composants électroniques du four n'ont pas encore suffisamment refroidi.	Le ventilateur s'éteint automatiquement lorsque les composants électroniques ont suffisamment refroidi.
La lampe du four ne fonctionne pas correctement	Une ampoule est desserrée dans la douille ou grillée.	Réinsérer ou remplacer l'ampoule. L'ampoule peut griller si on la touche avec les doigts.
La lampe du four reste allumée	La porte ne se ferme pas complètement	Vérifier si la porte du four est obstruée. Vérifier si la charnière est tordue ou si le contacteur de la porte est cassé.
Le protège-ampoule ne peut pas être retiré	Accumulation de saletés autour du protège-ampoule.	Essuyer la surface du protège-ampoule avec un torchon propre et sec avant d'essayer de retirer le protège-ampoule.
L'horloge et la minuterie ne fonctionnent pas correctement	Le four n'est pas connecté à l'alimentation électrique.	Vérifier le coupe-circuit ou la boîte à fusibles du domicile. S'assurer que le four est correctement relié à une source d'alimentation électrique.
Humidité excessive		Lorsque le mode Cuisson au four est utilisé, préchauffer le four au préalable. La cuisson au four par convection et le rôtissage par convection vont éliminer toute l'humidité dans le four.
Éclats de porcelaine	L'intérieur en porcelaine a été heurté par les grilles du four	Lorsque les grilles du four sont retirées et remises en place, toujours incliner les grilles vers le haut et ne pas les forcer pour éviter d'écailler la porcelaine.

Diagramme du Circuit





APPLIANCES

WARRANTY AND SERVICE

For full warranty details on this product please visit:
<http://www.cosmoappliances.com/warranty>

TO RECEIVE WARRANTY SERVICE, YOUR
PRODUCT MUST BE REGISTERED. TO REGISTER, VISIT:

WWW.COSMOAPPLIANCES.COM/WARRANTY



IMPORTANT

Do Not Return This Product To The Store If
you have a problem with this product, please contact

Cosmo Customer Support at

+1(888)784-3108

DATED PROOF OF PURCHASE, MODEL #, AND SERIAL #
REQUIRED FOR WARRANTY SERVICE

IMPORTANT

Ne pas Réexpédier ce Produit au Magasin
Pour tout problème concernant ce produit, veuillez contacter
le service des consommateurs Cosmo Customer Support au

+1(888) 784-3108

UNE PREUVE D'ACHAT DATEE EST REQUISE POUR BENEFICIER DE
LA GARANTIE.

IMPORTANTE

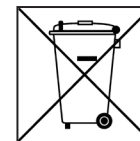
No regrese este producto a la tienda
Si tiene algún problema con este producto, por favor contacte el
AYUDA AL CLIENTE COSMO al

+1(888)784-3108

(Válido solo en E.U.A).

NECESITA UNA PRUEBA DE DE COMPRA FECHADA, NÚMERO DE
MODELO Y DE SERIE PARA EL SERVICIO DE LA GARANTÍA

Correct Disposal of this product:



This marking indicates that this appliance should not
be disposed with other household wastes. To prevent
possible harm to the environment or human health
from uncontrolled waste disposal, recycle it responsibly to
promote the sustainable reuse of material resources.





Cosmo is constantly making efforts to improve the quality and performance of our products, so we may make changes to our appliances without updating this manual.

Electronic version of this manual is available at:
www.cosmoappliances.com