



APPLIANCES

INSPIRING THE WORLD'S KITCHEN



UNDER CABINET RANGE HOOD

COS-5U30

INSTALLATION GUIDE

IMPORTANT SAFETY INSTRUCTIONS

Carefully read the following Important information regarding installation safety and maintenance. Keep these instruction for future reference.

COS-5U30

INSTALL & USER GUIDE

THANK YOU FOR YOUR PURCHASE

Thank you for your purchase. We know that you have many brands and products to choose from and we are honored to know that you have decided to take one of our products into your home and hope that you enjoy it.

COSMO appliances are designed according to the strictest safety and performance standard for the North American market. We follow the most advanced manufacturing philosophy. Each appliance leaves the factory after thorough quality inspection and testing. Our distributors and our service partners are ready to answer any questions you may have regarding how to install, use and care for your products. We hope that this manual will help you learn to use the product in the safest and most effective manner .

If you have any questions or concerns, please contact the dealer from whom you purchased it, or contact our Customer Support at:

1-888-784-3108.



TABLE OF CONTENTS

SAFETY INSTRUCTIONS	4
ALUMINUM FILTERS	5
PARTS INCLUDED	6
DIAGRAM: RANGE HOOD EXTERIOR	7
INSTALLATION REQUIREMENTS	8
PRE-INSTALLATION	9-10
WIRING DIAGRAM	11
INSTALLATION INSTRUCTIONS	12-14
RECIRCULATION CARBON FILTERS	15
OPERATING INSTRUCTIONS	16
MAINTENANCE	17
TROUBLESHOOTING	18
WARRANTY & SERVICE	20-21



IMPORTANT SAFETY INSTRUCTIONS

Read all instructions before using this appliance.
Save these instructions for future reference.
Approved for residential appliances.
For residential use only.

CAUTION

FOR GENERAL VENTILATING USE ONLY. DO NOT USE TO EXHAUST HAZARDOUS OR EXPLOSIVE MATERIALS OR VAPORS.

CAUTION

To reduce risk of fire and to properly exhaust air, do not vent exhaust air into spaces within walls, ceilings, attics, crawl spaces, or garages.

WARNING

TO REDUCE THE RISK OF FIRE, USE ONLY METAL DUCT WORK. Install this hood in accordance with all requirements specified.

WARNING

TO REDUCE THE RISK OF FIRE, ELECTRIC SHOCK, OR INJURY TO PERSONS, OBSERVE THE FOLLOWING:

1. Use this unit only in the manner intended by the manufacturer. If you have questions, contact the manufacturer.
2. Before servicing or cleaning the unit, switch power off at service panel and lock service panel disconnecting means to prevent power from being switched on accidentally. When the service disconnecting means cannot be locked, securely fasten a prominent warning device, such as a tag, to the service panel.
3. Installation work and electrical wiring must be done by qualified person(s) in accordance with all applicable codes and standards, including fire-rated construction.
4. Sufficient air is needed for proper combustion and exhausting of gases through the flue (Chimney) of fuel burning equipment to prevent back-drafting. Follow the heating equipment manufacturer's guideline and safety standards such as those published by the National Fire Protection Association (NFPA), the American Society for Heating, Refrigeration and Air Conditioning Engineers (ASHRAE), and the local code authorities.
5. When cutting or drilling into wall or ceiling, do not damage electrical wiring and other hidden utilities.
6. Ducted systems must always be vented to the outdoors.

WARNING

To Reduce The Risk Of Fire Or Electric Shock, Do Not Use This Hood With Any External Solid State Speed Control Device.

WARNING

Disconnect the appliance from the power source before servicing.

WARNING

GROUNDING INSTRUCTIONS

This appliance must be grounded. In the event of an electrical short circuit, grounding reduces the risk of electric shock by providing an escape wire for the electric current.

WARNING - IMPROPER GROUNDING CAN RESULT IN A RISK OF ELECTRIC SHOCK.

Consult a qualified electrician if the grounding instructions are not completely understood, or if doubt exists as to whether the appliance is properly grounded.

WARNING

TO REDUCE THE RISK OF INJURY TO PERSONS, IN THE EVENT OF A RANGE TOP GREASE FIRE, OBSERVE THE FOLLOWING:

- SMOTHER FLAMES with a close-fitting lid, cookie sheet, or metal tray, then turn off the burner. BE CAREFUL TO PREVENT BURNS. If the flames do not go out immediately, EVACUATE AND CALL THE FIRE DEPARTMENT.
 - NEVER PICK UP A FLAMING PAN – You may be burned.
 - DO NOT USE WATER, including wet dishcloths or towels – a violent steam explosion will result.
1. Use an extinguisher ONLY if:
 1. You know you have a Class ABC extinguisher, and you already know how to operate it.
 2. The fire is small and contained in the area where it started.
 3. The fire department is being called.
 4. You can fight the fire with your back to an exit

Always leave safety grills and filters in place. Without these components, operating blowers could catch onto hair, fingers and loose clothing.

The manufacturer declines all responsibility in the event of failure to observe the instructions given here for installation, maintenance and suitable use of the product. The manufacturer further declines all responsibility for injury due to negligence and the warranty of the unit automatically expires due to improper maintenance.

WARNING

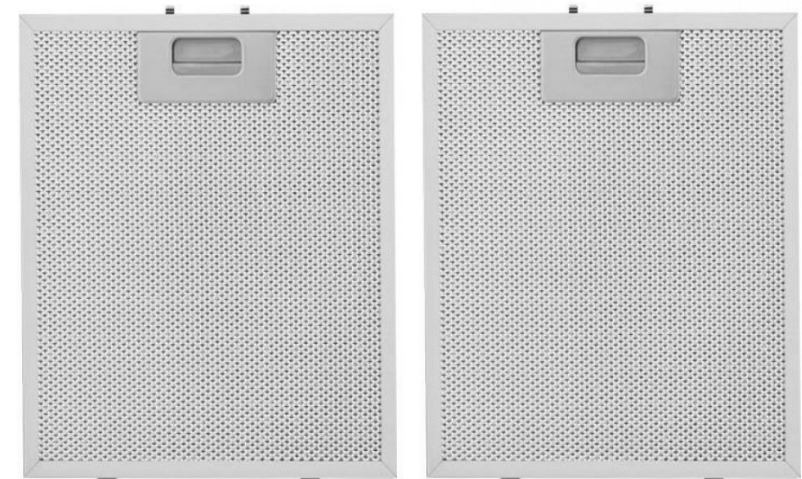
WARNING – TO REDUCE THE RISK OF A RANGE TOP GREASE FIRE:

- A. Never leave surface units unattended at high settings. Boilovers cause smoking and greasy spillovers that may ignite. Heat oils slowly on low or medium settings.
- B. Always turn hood ON when cooking at high heat or when flaming food (i.e. Crepes Suzette, Cherries Jubilee, Peppercorn Beef Flambe).
- C. Clean ventilating fans frequently. Grease should not be allowed to accumulate on fan or filter.
- D. Use proper pan size. Always use cookware appropriate for the size of the surface element.

WARNING

This appliance is intended for normal indoor residential use. It is not approved for commercial use, outdoor installation, installation over an outdoor BBQ grill, or any other application not specifically allowed by this manual. Damage from improper installation or use of this appliance is not covered by the product warranty.

ALUMINUM FILTERS



About Your New Filters

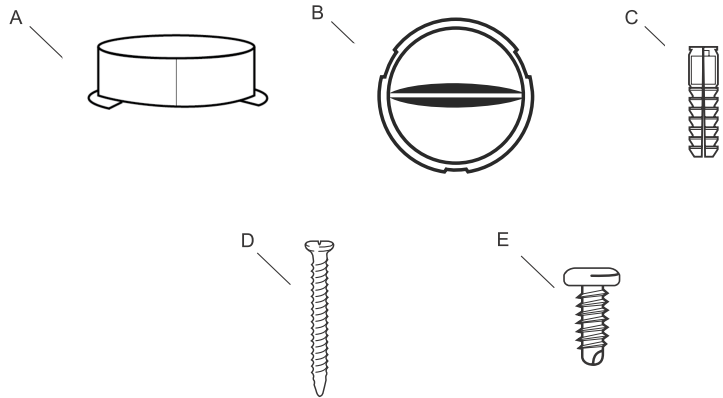
Aluminum filters are recommended to be replaced every 4-6 months, depending on usage.

Cleaning my Aluminum Filters

Your filters can be hand washed and cleaned to increase time between replacements. Aluminum filters should not be placed in the dishwasher.

Additional Aluminum or Charcoal Filters can be purchased from:
www.cosmoappliances.com

PARTS INCLUDED



PARTS LIST

A) Damper

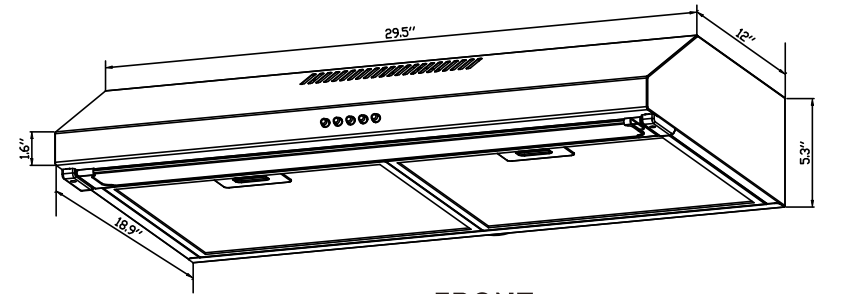
B) Vent cover

C) Plastic Anchors - 2 pcs

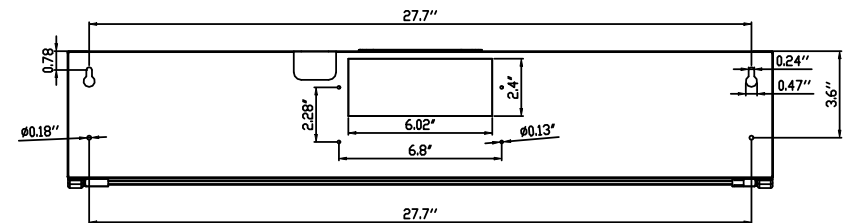
D) ST4*40 mm wood screws - 9 pcs

E) ST4*16 mm wood screws - 2 pcs

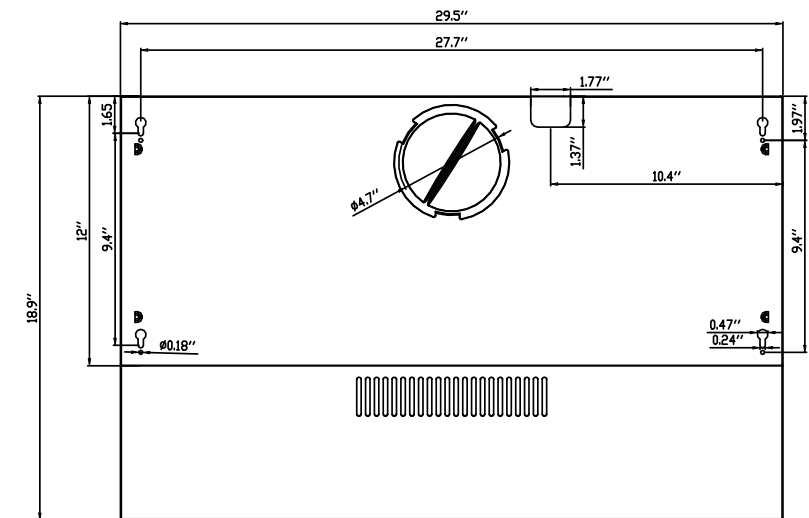
DIAGRAM: RANGE HOOD EXTERIOR



FRONT



REAR



TOP

INSTALLATION REQUIREMENTS

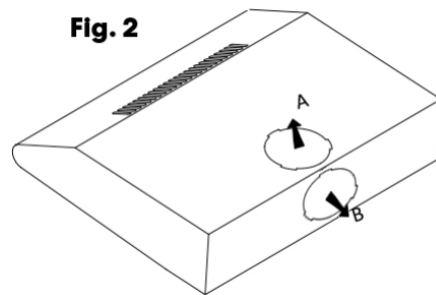
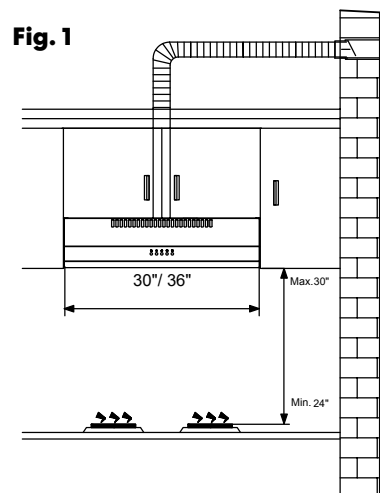
PLEASE READ THE FOLLOWING INSTRUCTIONS CAREFULLY:

1. This Range Hood can be vented through the top or back.
For ductless installation, install an Air Outlet Cap on the rear vent hole. If air will be vented, install the damper attachment on the side that the air will vent through (top or rear, shown in Fig. 2)
2. For optimal performance the Range Hood must be installed 24" - 30" in height from the cooktop. (Fig. 1)
3. Electrical Requirements: Rated Voltage and Frequency:) 110-120V~ 60Hz. Motor Input Power: 90W

⚠ WARNING

ALL ELECTRICAL CONNECTIONS MUST BE IN ACCORDANCE WITH LOCAL CODES, ORDINANCES, OR NATIONAL ELECTRICAL CODE. **IF YOU ARE UNFAMILIAR WITH METHODS OF INSTALLING ELECTRICAL WIRING, SECURE THE SERVICES OF A QUALIFIED ELECTRICIAN.**

Sufficient air is needed for proper combustion and exhausting of gases through the chimney of fuel burning equipment to prevent back-drafting. Follow the cooking equipment manufacturer's guideline and safety standards such as those published by the National Fire Protection Association (NFPA), the American Society for Heating, Refrigeration and Air Conditioning Engineers (ASHRAE), and local code. When cutting or drilling into wall or ceiling, do not damage electrical wiring and other hidden utilities. Ducted systems must always be vented outdoors.



PRE-INSTALLATION

- Please read the instructions carefully. Unpack the Range Hood and check that all functions are working before installing.
- Ensure that the voltage (V) and the frequency (Hz) indicated on the sticker match the voltage and frequency at the installation site.
- Check that the area behind the installation surface to be drilled is clear of any electrical cables or pipes, etc.
- The stainless steel surfaces of the Range Hood are very easily damaged during installation if scratched or bumped by tools. Please take care to protect the surfaces during installation.
- Protect the cooktop surface below with plywood, or similar material, to prevent damage occurring during installation.
- The manufacturer shall not be held liable for failure to observe all safety regulations.

IMPORTANT! READ BEFORE INSTALLATION!

You will need to set the Range Hood mode to either Ducted or Recirculating.

1. Remove Aluminum Filters
2. Locate Knob Settings located under the Motor (Fig. 3)
3. Rotate the lever to either Ducted or Recirculating mode.
4. If recirculating mode is chosen, install the vent cover on the rear vent hole.

If ducted mode is chosen, install the damper on the vent hole where the air will vent through (top or rear), and install the vent cover on the other vent hole (shown on Fig.2 of the previous page).

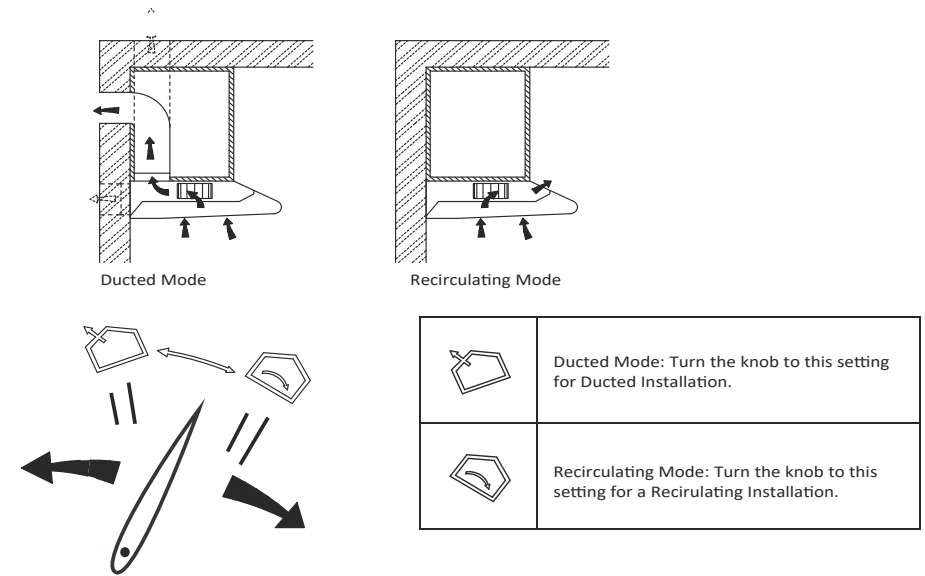


Fig.3 Venting mode

PRE-INSTALLATION

If using recirculating mode, ignore this section.

- Your venting system must vent to the outdoors either horizontally through the back wall (13) or vertically through the roof (14). (refer to Fig. 5/ Fig. 6/ Fig. 7).
- For this range hood, use 5 in. round metal ductwork for the top -OR- use rectangular adapter / ductwork for the back. Connect to damper using HVAC aluminum tape.
- The total duct length should not be more than 35 ft. Calculate the total effective length of the ductwork by using the table below. For each fitting use the table to see its straight duct equivalent.
- Fasten all ductwork with sheet metal screws and tape all joints with certified HVAC tape.
- If you must turn the path of the ductwork using elbows, keep the number of elbows to a minimum for best performance. Use no more than three 90 degree elbows. Ensure that there is a minimum of 25.6 in. of straight vent between each elbow. Use elbows as far away from the range hoods exhaust opening as possible.
- Cap the exterior of the duct with a wall cap (15) or roof cap (16). Never use (4 in.) laundry-type wall caps. Use caulking to seal exterior wall or roof opening around the cap.
- The venting system must have a damper. If the roof or wall cap has a damper, do not use the damper supplied with the range hood.

Horizontal Wall Venting

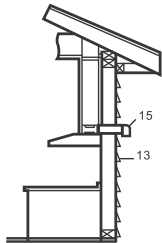


Fig.5

Horizontal Wall Venting

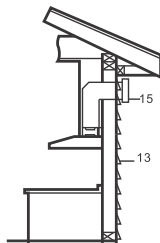


Fig.6

Vertical Roof Venting

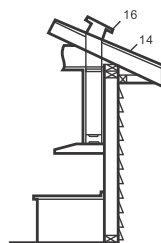


Fig.7

For recirculating mode, air will vent out of the front vent holes. (17 in Fig. 8)

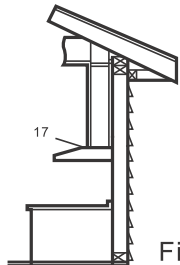


Fig.8

Equivalent Length Chart

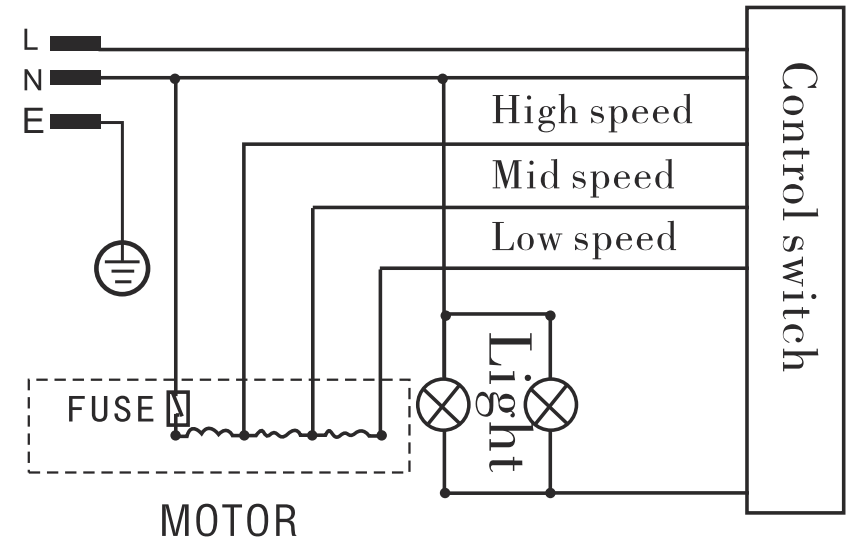
Type of duct	Length added
45° Elbow	0.91m(3ft)
90° Elbow	1.52m(5ft)
90° Flat elbow	3.66m(12ft)
2.74 m (9 ft) Straight duct	2.74m(9ft)
Wall cap	0m(0 ft)

Fig.9

WIRING DIAGRAM

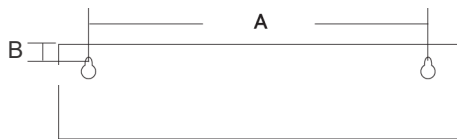
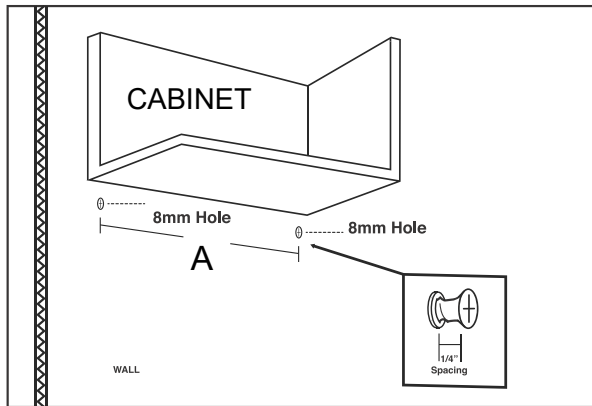
CAUTION: SHUT-OFF POWER SUPPLY BEFORE INSTALLING. INSTALLATION WORK AND ELECTRICAL WIRING MUST BE DONE BY QUALIFIED PERSON(S) IN ACCORDANCE WITH ALL APPLICABLE CODES & STANDARDS, INCLUDING FIRE-RATED CONSTRUCTION.

AC 120V/60Hz



INSTALLATION INSTRUCTIONS

CAUTION: HOOD MAY HAVE VERY SHARP EDGES; PLEASE WEAR PROTECTIVE GLOVES WHENEVER IT IS NECESSARY TO REMOVE ANY PARTS FOR INSTALLING, CLEANING OR SERVICING.



30" Model:
A = 25.6"
B = 1 - 1/8"

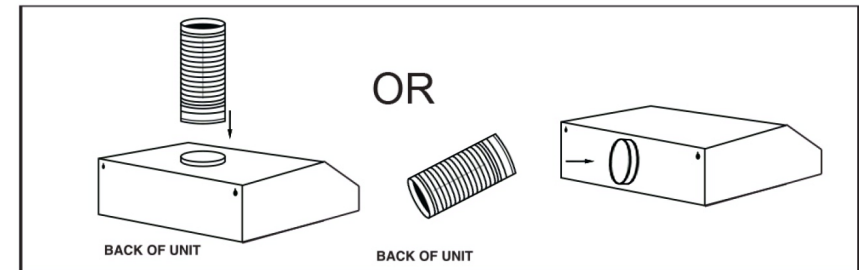
If cabinet bottom is recessed, we recommend installing wooden shims on cabinet bottom to make cabinet mounting area flush.

1. Drill two 8mm holes in position for plastic wall anchor (Part B) placement. (See above for placement location).
2. Tap plastic wall anchors securely into each of the drilled holes.
3. After Wall anchors have been tapped in place, Insert ST4*40 wood screws (part D), but leave 1/4" of the screw sticking out of the wall. (This will give your Range Hood something to hang onto).

If using recirculating mode: skip steps 4, 5a, 5c, 6a, 6c.

INSTALLATION INSTRUCTIONS

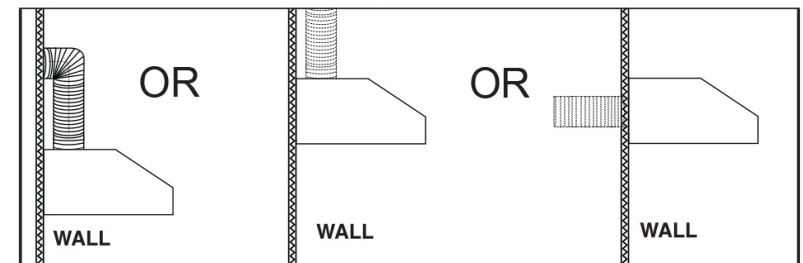
Step 4



4. Take the hood unit along with the 5" Round Aluminum duct (Top) -OR- rectangular adapter / ductwork (Back). Secure the round aluminum duct to the damper at the top or rear of the hood unit using HVAC Aluminum foil tape. (Skip this step for recirculating mode)

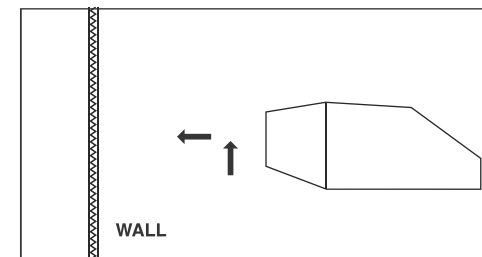
If mounting to a cabinet, skip step 5.

Step 5



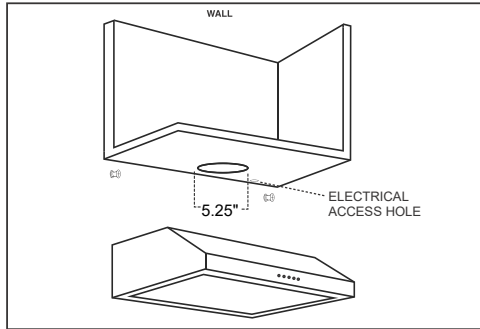
5. 5a. If mounting to the **wall only**, drill a 5.25" round hole on the back wall above the hood, OR into the ceiling directly above the hood, or on the back wall centered with the rear vent hole of the hood. (Skip this step for recirculating mode)
- 5b. Lift the hood and hang the hood unit on the back wall using the screws drilled in Step 3. Once the hood is securely hung on the wall, tighten the screws from the interior of the hood after removing the aluminum filters.
- 5c. Pull rectangular adapter / ductwork through the newly drilled hole in the wall. Connect unit to power source. (Skip this step for recirculating mode)

Step 5b.



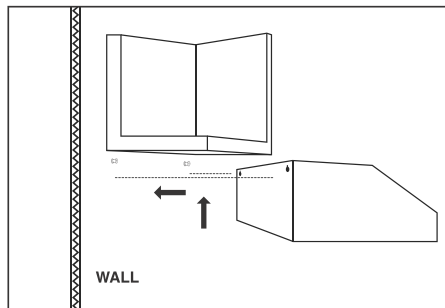
INSTALLATION INSTRUCTIONS

Step 6



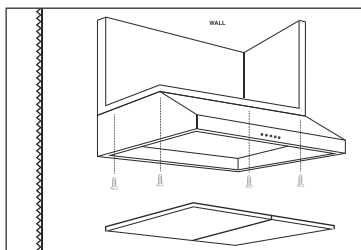
6. 6a. Drill a 5 - 1/4" Round Hole into the bottom of the cabinet. (skip this step for recirculating mode)
- 6b. Drill a 1 - 1/2" hole into the bottom of the cabinet for the Electrical Access hole according to the location of electrical wires shown on page 5 of this manual.
- 6c. Pull the round duct through the bottom of the new cabinet holes (skip this step for recirculating mode).
- 6d. Pull the electrical cord through the bottom of the new cabinet holes.

Step 7



7. Lift the hood and hang the hood unit on the back wall using the screws drilled in Step 3.

Step 8-9

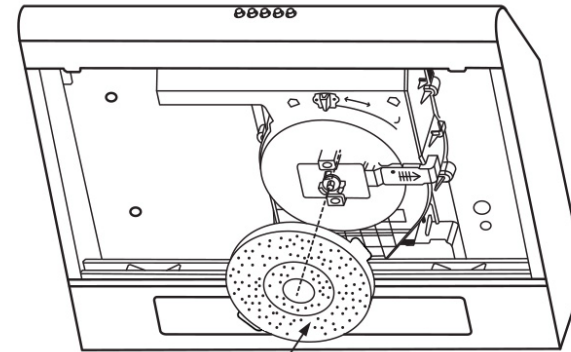


8. Once the hood is securely hung to the back wall, remove the aluminum filters from underneath the hood.
9. Drill four pieces of ST4*16 wood screws (Part E) into the bottom of the cabinet using the four screw holes at the top of the hood.

Once the hood is secured into the cabinet, tighten the wood screws located in the back of the hood. Re-install the filters. Reconnect unit to power source.

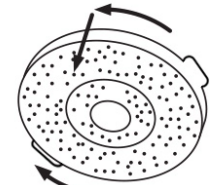
RECIRCULATING CARBON FILTERS

SKIP THIS PAGE IF YOU ARE INSTALLING A DUCTED RANGE HOOD. CARBON FILTERS ARE ONLY INCLUDED WITH DUCTLESS MODELS.



Carbon Filter

Press on the center and twist to lock into place



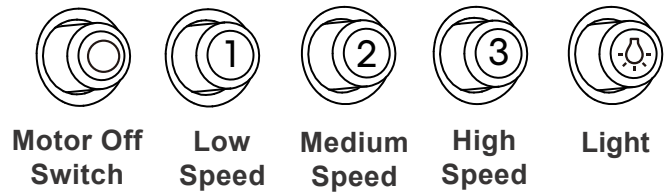
Twist to Unlock



Installing Recirculating Filters (For Ductless installation Only)

1. Remove the Aluminum Filters.
2. The charcoal filter is installed to the motor housing as shown. Line up the filter over the center of the motor housing, then turn the filter until the side tabs fit into slots and locks in place.
3. To replace the carbon filter reverse the process and repeat.

THE CARBON FILTER MUST BE REPLACED EVERY 4-6 MONTHS DEPENDING ON USE. ADDITIONAL ALUMINUM OR CHARCOAL FILTERS CAN BE PURCHASED FROM: WWW.COSMOAPPLIANCES.COM Charcoal Filter Part # - CFK3-TM

OPERATING INSTRUCTIONS



 Light	Press this button to turn on the lights, and press again to turn them off.
1 Low Speed	Press this button to run the motor at low speed.
2 Medium Speed	Press this button to run the motor at medium speed.
3 High Speed	Press this button to run the motor at high speed.
 Motor Off Switch	Press this button to stop the motor while it is running on any given speed.

MAINTENANCE

CAUTION: NEVER PUT YOUR HAND INSIDE OF THE UNIT WHILE IT IS OPERATING. FOR THE BEST PERFORMANCE CLEAN YOUR RANGE HOOD REGULARLY.

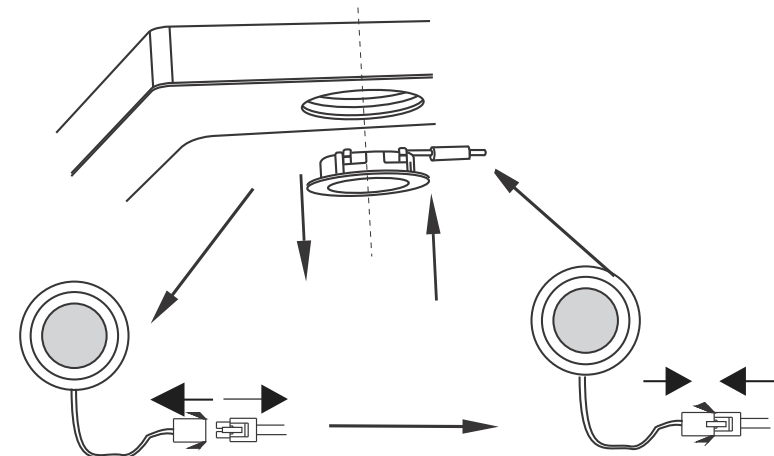
CLEANING

1. Use only mild soap or cleaning solutions to clean the hood's outer surface. Dry surfaces using a soft cloth.
2. Stainless Steel cleaner may be used on the external surface.
3. Clean the Range Hood motor assembly every 1 to 3 months depending on use.
4. **DO NOT** clean the motor or electrical components with water or any other liquid.

REPLACING LIGHT BULBS

CAUTION: LAMP UNIT MAY BE HOT! WAIT UNTIL THE UNIT IS COOL. BEFORE ATTEMPTING TO REPLACE THE LED LAMPS. MAKE SURE THE UNIT IS POWERED **OFF** AND **DISCONNECTED**.

1. Remove the aluminum filters
2. Disconnect the wire for the LED light being replaced.
3. Reach your hand into the unit and push the LED light housing out of the hole to remove it. Replace the LED light and connect the wire.
4. Reinstall the aluminum filters



TROUBLESHOOTING

CAUTION: ALWAYS DISCONNECT UNIT FROM POWER BEFORE SERVICING

PROBLEM	SOLUTION	TOOLS
My range hood is noisy.	A. Check inside the range hood for any loose debris and remove.	Phillips Screwdriver Gloves
My range hood has poor performance.	A. The range hood and cooktop are too far away from each other. Optimal distance is 24" to 30". B. There are too many open windows or doors in the area. Close some doors or windows. C. The motor performance has decreased due to wear. Replace motor. D. Check and make sure the tape holding down the damper flaps at the vent hole are removed before use.	Phillips Screwdriver Gloves
My range hood shakes.	A. The installation is not secure. Check again and make sure the installation hardware is securely mounted. B. The fan is broken or not balanced. Realign or replace fan. C. The motor is loose. Check and make sure the motor is solidly mounted to the unit.	Phillips Screwdriver Gloves
The motor no longer runs.	A. Replace control panel or circuit board. B. Replace with new motor assembly.	Phillips Screwdriver Nose Pliers Gloves
Light bulb went out.	A. Replace with a new LED light 2 watt max.	Gloves



APPLIANCES

WARRANTY AND SERVICE

For full warranty details on this product please visit:
<http://www.cosmoappliances.com/warranty>

TO RECEIVE WARRANTY SERVICE, YOUR
PRODUCT MUST BE REGISTERED. TO REGISTER, VISIT:

WWW.COSMOAPPLIANCES.COM/WARRANTY

SCAN TO REGISTER



IMPORTANT

Do Not Return This Product To The Store If
you have a problem with this product, please contact

Cosmo Customer Support at

+1(888)784-3108

DATED PROOF OF PURCHASE, MODEL #, AND SERIAL #
REQUIRED FOR WARRANTY SERVICE

IMPORTANT

Ne pas Réexpédier ce Produit au Magasin
Pour tout problème concernant ce produit, veuillez contacter
le service des consommateurs Cosmo Customer Support au

+1(888) 784-3108

UNE PREUVE D'ACHAT DATEE EST REQUISE POUR BENEFICIER DE
LA GARANTIE.

IMPORTANTE

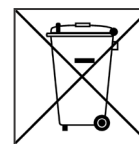
No regrese este producto a la tienda
Si tiene algún problema con este producto, por favor contacte el
AYUDA AL CLIENTE COSMO al

+1(888)784-3108

(Válido solo en E.U.A).

NECESITA UNA PRUEBA DE DE COMPRA FECHADA, NÚMERO DE
MODELO Y DE SERIE PARA EL SERVICIO DE LA GARANTÍA

Correct Disposal of this product:



This marking indicates that this appliance should not
be disposed with other household wastes. To prevent
possible harm to the environment or human health
from uncontrolled waste disposal, recycle it responsibly to
promote the sustainable reuse of material resources.



Cosmo is constantly making efforts to improve the quality and performance of our products, so we may make changes to our appliances without updating this manual.

Electronic version of this manual is available at:
www.cosmoappliances.com