



Under Cabinet Range Hood



Under Cabinet Range Hood **UC & UMC series**

Installation Guide & User Manual

IMPORTANT: Read and save these instructions.

NOTICE:

Installer: Leave this guide with the homeowner
Homeowner: Keep this guide for future reference

THANK YOU FOR YOUR PURCHASE

Thank you for your purchase. We know that you have many brands and products to choose from and we are honored to know that you have decided to take one of our products into your home and hope that you enjoy it.

COSMO appliances are designed according to the strictest safety and performance standard for the North American market. We follow the most advanced manufacturing philosophy. Each appliance leaves the factory after thorough quality inspection and testing. Our distributors and our service partners are ready to answer any questions you may have regarding how to install, use and care for your products. We hope that this manual will help you learn to use the product in the safest and most effective manner.

If you have any questions or concerns, please contact the dealer from whom you purchased it, or contact our Customer Support at:

1-888-784-3108.

STAINLESS STEEL BAFFLE FILTERS



About Your New Filters

Stainless Steel Baffle Filters do not need linings or mesh inside of the filters and are completely constructed out of stainless steel. The stainless steel construction allows them to be used again after being cleaned or going through the dishwasher.

How do Baffle Filters Work?

They function by forcing the grease filled air to quickly and continuously change direction as it passes through the filter. The grease is unable to change direction as fast as the air carrying them, they end up getting caught on the metal blades and then trapped into the filter tray. These filters are both efficient and require less maintenance.

IMPORTANT SAFETY INSTRUCTIONS

Read all instructions before using this appliance.

Save these instructions for future references

Approved for residential appliances

For residential use only

CAUTION

FOR GENERAL VENTILATING USE ONLY. DO NOT USE TO EXHAUST HAZARDOUS OR EXPLOSIVE MATERIALS OR VAPORS.

CAUTION

This product is designed for indoor residential use only.

CAUTION

To reduce risk of fire and to properly exhaust air, do not vent exhaust air into spaces within walls, ceilings, attics, crawl spaces, or garages.

WARNING

TO REDUCE THE RISK OF FIRE, USE ONLY METAL DUCT WORK. Install this hood in accordance with all requirements specified.

WARNING

TO REDUCE THE RISK OF FIRE, ELECTRIC SHOCK, OR INJURY TO PERSONS, OBSERVE THE FOLLOWING:

- A. Use this unit only in the manner intended by the manufacturer. If you have questions, contact the manufacturer
- B. Before servicing or cleaning the unit, switch power off at service panel and lock service panel disconnecting means to prevent power from being switched on accidentally. When the service disconnecting means cannot be locked, securely fasten a prominent warning device, such as a tag, to the service panel.
- C. Installation Work and Electrical Wiring Must Be Done By Qualified Person(s) In Accordance With all Applicable Codes & Standards, Including Fire-rated Construction.
- D. Sufficient air is needed for proper combustion and exhausting of gases through the flue (Chimney) of fuel burning equipment to prevent back-drafting. Follow the heating equipment manufacturers guideline and safety standards such as those published by the National Fire Protection Association (NFPA), the American Society for Heating, Refrigeration and Air Conditioning Engineers (ASHRAE), and the local code authorities.
- E. When cutting or drilling into wall or ceiling, do not damage electrical wiring and other hidden utilities.
- F. Ducted systems must always be vented to the outdoors.

WARNING

To Reduce The Risk Of Fire Or Electric Shock, Do Not Use This Hood With Any External Solid State Speed Control Device.

WARNING

GROUNDING INSTRUCTIONS

This appliance must be grounded. In the event of an electrical short circuit, grounding reduces the risk of electric shock by providing an escape wire for the electric current. This appliance is equipped with a cord having a grounding wire with a grounding plug. The plug must be plugged into an outlet that is properly installed and grounded.

WARNING - IMPROPER GROUNDING CAN RESULT IN A RISK OF ELECTRIC SHOCK.

Consult a qualified electrician if the grounding instructions are not completely understood, or if doubt exists as to whether the appliance is properly grounded.

Do not use an extension cord. If the power supply cord is too short, have a qualified electrician install an outlet near the appliance.

WARNING

TO REDUCE THE RISK OF INJURY TO PERSONS, IN THE EVENT OF A RANGE TOP GREASE FIRE, OBSERVE THE FOLLOWING:

A. SMOTHER FLAMES with a close - fitting lid, cookie sheet, or other metal tray, then turn off the gas burner or the electric element. **BE CAREFUL TO PREVENT BURNS.** If the flames do not go out immediately, **EVACUATE AND CALL THE FIRE DEPARTMENT.**

B. **NEVER PICK UP A FLAMING PAN** - you may be burned. **DO NOT USE WATER** including wet dishcloths or towels - a violent steam explosion will result.

Always leave safety grills and filters in place. Without these components, operating blowers could catch onto hair, fingers and loose clothing. The manufacturer declines all responsibility in the event of failure to observe the instructions given here for installation, maintenance and suitable use of the product. The manufacturer further declines all responsibility for injury due to negligence and the warranty of the unit automatically expires due to improper maintenance.

WARNING

Unplug or disconnect the appliance from the power supply before servicing.

WARNING

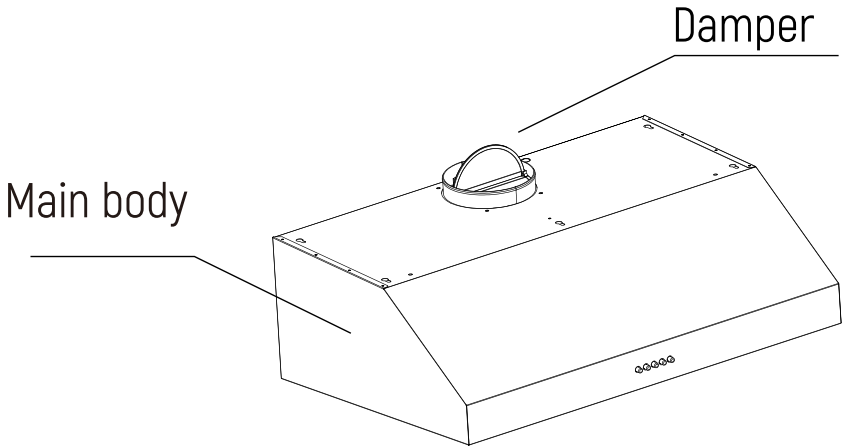
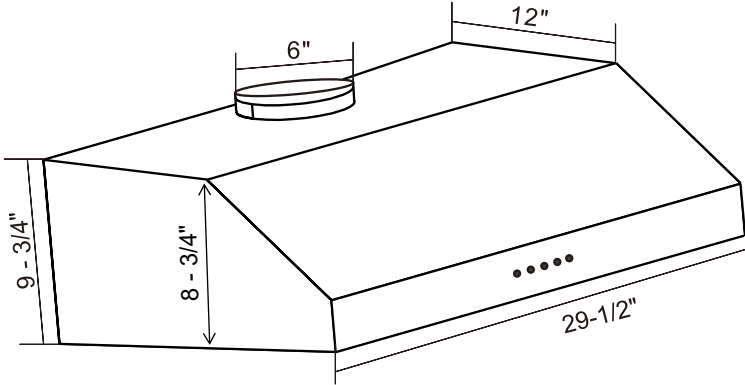
This appliance is intended for normal indoor residential use. It is not approved for commercial use, outdoor installation, installation over an outdoor BBQ grill, or any other application not specifically allowed by this manual. Damage from improper installation or use of this appliance is not covered by the product warranty.

TABLE OF CONTENTS

Safety Instructions	4
Parts Diagram	6-9
Parts Included / Required	10
Pre-Installation Requirements	11
Installation Instructions	12-13
Important Safety Instructions	14
Operating Instructions: Push Button Controls	15
Operating Instructions: Soft Touch Controls	16
Recirculating Charcoal Filters	17
Maintenance	18
Troubleshooting	19
Technical Information	20
Warranty & Service	22-23

PARTS DIAGRAM

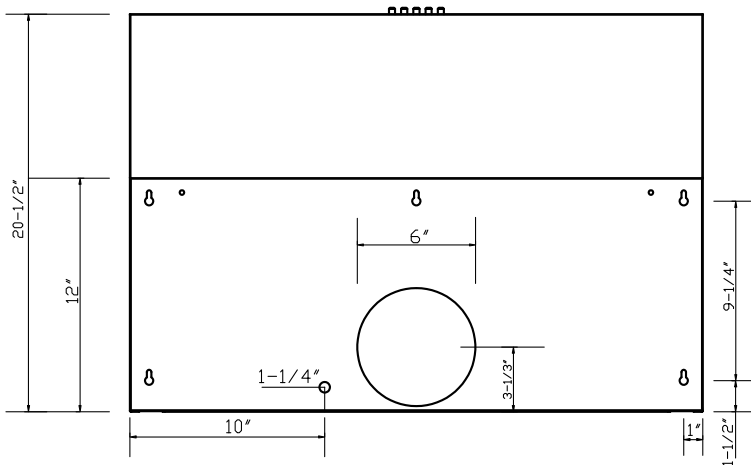
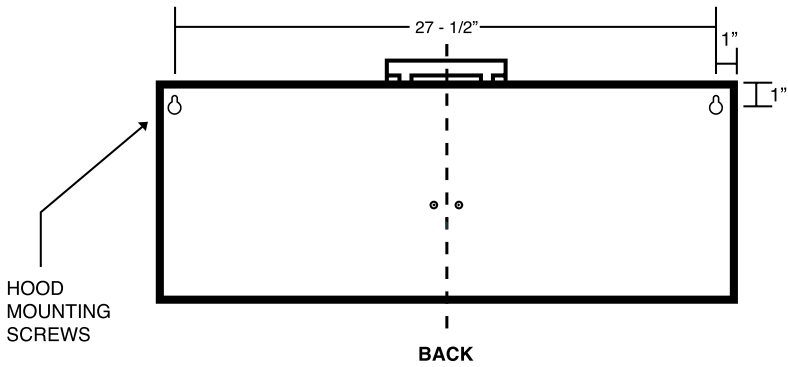
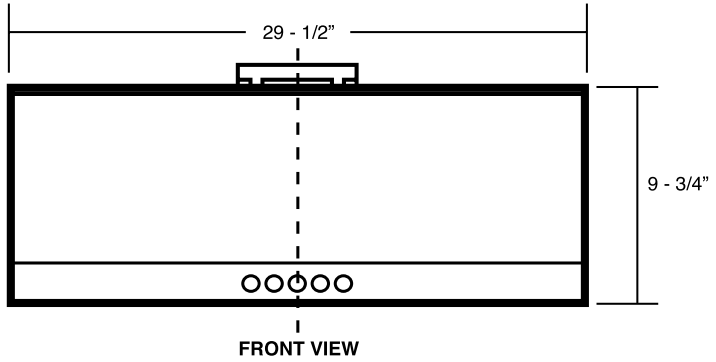
UC30 / UMC30



Grease Filters

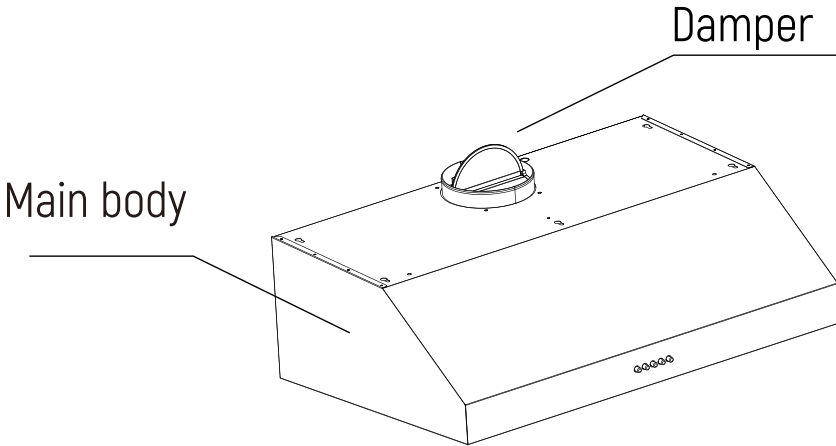
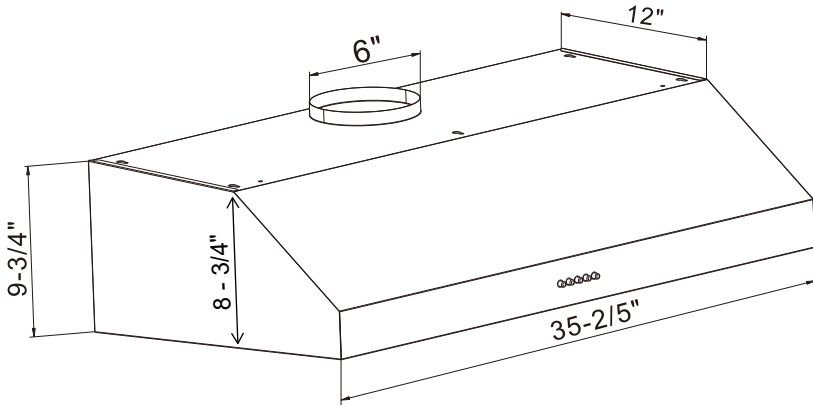


PARTS DIAGRAM

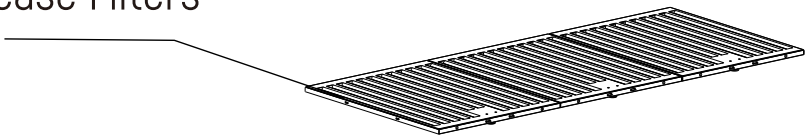


PARTS DIAGRAM

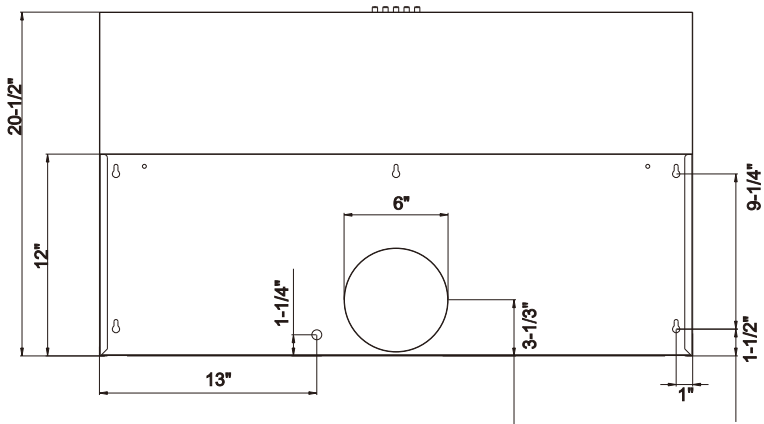
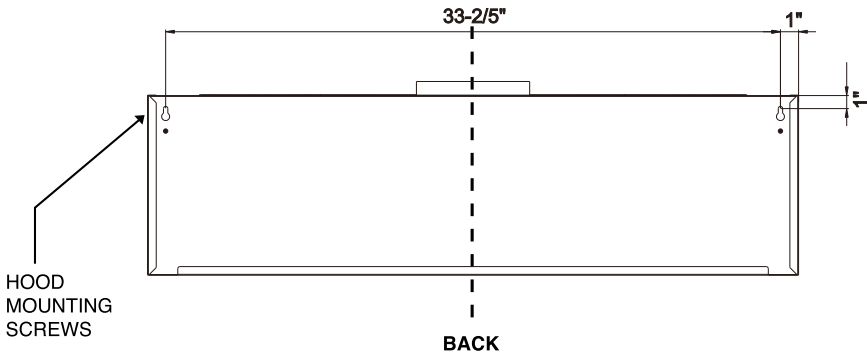
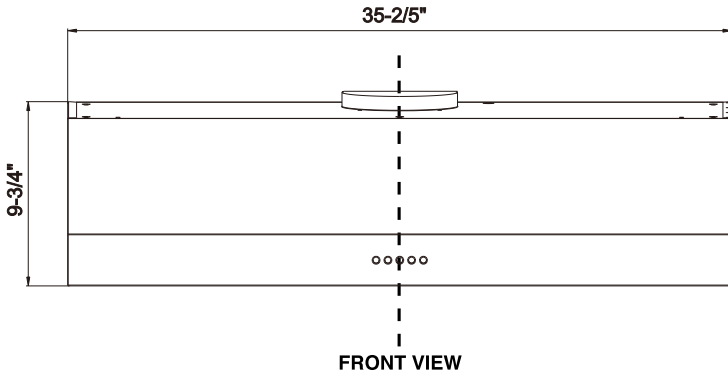
UC36 / UMC36



Grease Filters



PARTS DIAGRAM



PARTS INCLUDED



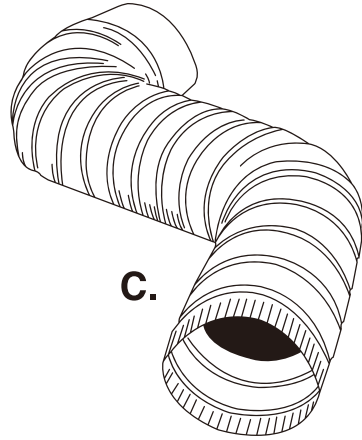
A.

9 pcs



B.

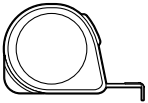
9 pcs



C.

- A.** 9 pcs - 4x30 screws
- B.** 9 pcs - Wall Anchors
- C.** 6" Round Aluminum Duct

PARTS REQUIRED



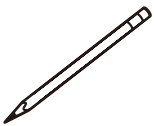
Measuring tape



Level



Safety gloves



Pencil



Tape



Safety goggles



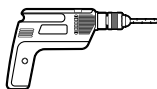
Phillips screwdriver



Flathead
screwdriver



Hammer



Electric drill

PRE-INSTALLATION REQUIREMENTS

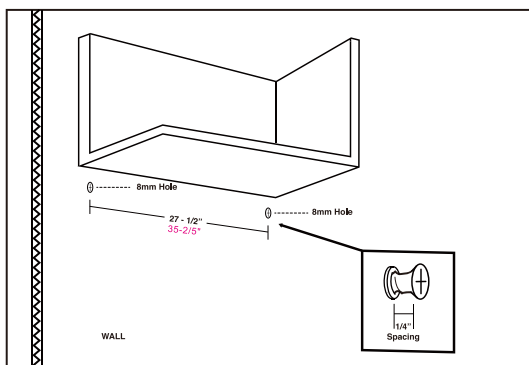
1. Do not install the Range Hood where there are many doors or windows in order to avoid effecting the exhaust efficiency caused by air convection.
2. Install the Range hood directly above the cooking surface. The recommended distance between the cooking surface and the bottom of the range is minimum 24” and Maximum 30”.
3. In order to get the optimum performance, do not extend the vent pipe too far , adjust the vent pipe, and make sure the hood is level and vertical.
4. The air outlet must not be connected to chimney flues or combustion gas ducts. The air outlet must not be connected to ventilation ducts for rooms in which fuel-burning appliances are installed.

SAFETY WARNING

HOOD MAY HAVE SHARP EDGES; PLEASE WEAR PROTECTIVE GLOVES IF ITS NECESSARY TO REMOVE ANY PARTS FOR INSTALLING, CLEANING, OR SERVICING.

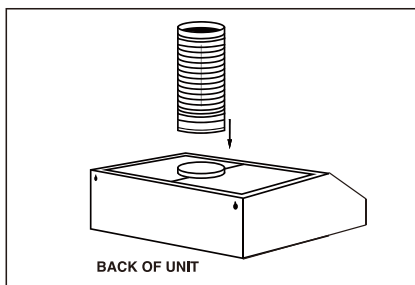
INSTALLATION INSTRUCTIONS

Step 1-3

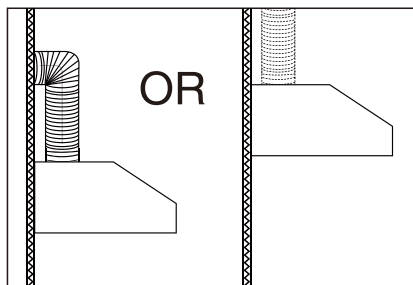


1. Drill two 8mm holes in position for Wall Anchor (Part B) placement. **(See Page 5 for placement location).**
2. Tap Wall anchors securely into each of the drilled holes.
3. After Wall anchors have been tapped in place, Insert 4x30 screws, but leave 1/4 of the screw sticking out of the wall. **(This will give your Range Hood something to hang onto).**

Step 4



Step 5



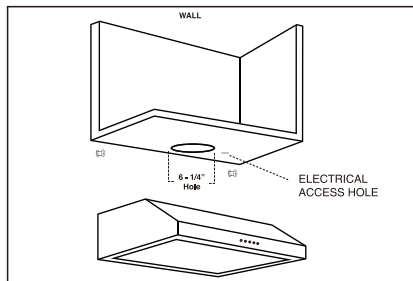
4. Take the hood unit along with the 6Round Aluminum duct (Part D). Secure the round aluminum duct to the vent hole at the top of the hood unit using HVAC Aluminum foil tape.

If mounting to a cabinet, skip step 5 and proceed with steps 6-11.

5. If mounting to the wall only, drill a 6-1/4 round hole on the back wall above the hood, OR into the ceiling directly above the hood.
 - 5a. Remove baffle filters from underneath the hood and set them aside.
 - 5b. Lift the hood and hang the hood unit on the back wall using the screws drilled in Step 3. Once the hood is securely hung on the wall, tighten the screws from the interior of the hood.
 - 5c. Pull round aluminum duct through the newly drilled hole in the wall. Plug unit into power outlet. Reinstall baffle filters.

INSTALLATION INSTRUCTIONS

Step 6

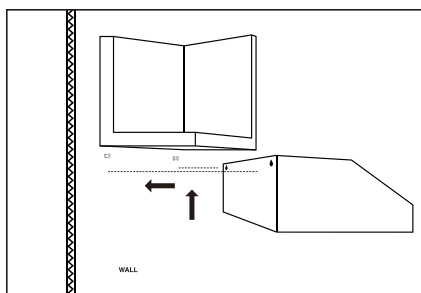


6. Drill a 6 - 1/4 Round Hole into the bottom of the cabinet. Drill a 1 - 1/2 hole into the bottom of the cabinet for the Electrical Access hole.

See Page 5 for hole location according to the diagram (Top View).

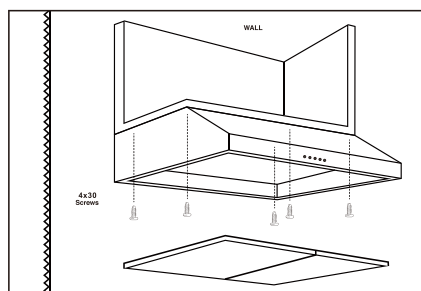
- 6a. Pull the round duct & power cord through the bottom of the new cabinet holes.

Step 7



7. Lift the hood and hang the hood unit on the back wall using the screws drilled in Step 3.

Step 8-9



8. Once the Hood is hung to the back wall, Remove the baffle filters from underneath the hood.
9. Drill each of the five pieces of 4x30 screws (**Part C**) into the bottom of the cabinet using the five screw holes at the top of the hood.
10. Once the hood is secured into the cabinet, tighten the wood screws located in the back of the hood. Install Baffle filters back into place. Make sure hood is secure by pressing on it. Plug unit into power outlet.

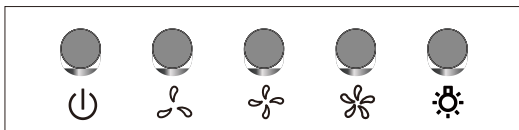
IMPORTANT SAFETY INSTRUCTIONS

- Please always supervise children and any other individuals that should be monitored while using this appliance.
- Do not connect the air outlet to chimney fuels or combustion gas ducts.
- Do not leave unattended open flames under this hood.
- In case of any damage to power cable, replace the broken cable with a new one by a qualified professional.
- Clean the hood as instructed in this manual. If the hood is not cleaned or cleaned improperly, it may cause fire, or the range hood may function incorrectly.
- The LED lamp should be replaced by a qualified professional. Always use a 2W LED light or less.
- Do not wash the control switch with water, as it will cause electrical issues for the range hood.
- Do not pull the plug from the power supply with wet hands to avoid electrical shock.
- Disconnect the hood from the power supply if the appliance will not be used for an extended period of time.






OPERATING INSTRUCTIONS

Push Button Controls

COMPATIBLE MODELS: UC30 / UC36



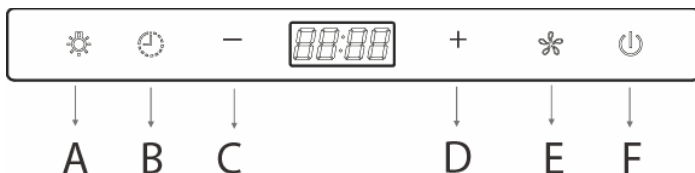
How to use the Push Button:

-  Press to select on/off.
-  Press to select the low speed.
-  Press to select the medium speed.
-  Press to select the high speed.
-  Press to turn on /off the light.

OPERATING INSTRUCTIONS

Soft Touch Controls

COMPATIBLE MODELS: UMC30 / UMC36



A. Light. Press to turn light on / off.

B. Timer Button

C. Minus Button (Fan Speed)

D. Plus Button (Fan Speed)

E. Fan Power Button (Starts Max Fan Speed)

F. Power Button. Press to turn unit On/Off

Note: When Fan is ON + or - button will go to Min or Max Settings

Setting the Clock

Clock is in Military Time and cannot be changed.

1. Hold Timer Button for 3 Seconds.
Press + Button (D) to set hours.
Press - Button (C) to set minutes.
2. Once time is set, Press Timer button to complete.
3. After setting the time, leave the unit alone for 5 seconds for the changes to save.

Setting the Timer

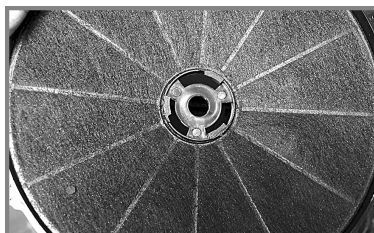
1. Turn fan on and set to desired fan speed.
2. Press the Timer Button (B).
Continue tapping the Timer Button (B) to set the time duration before the fan should automatically turn off.
3. After setting the timer, leave the unit alone for 5 seconds for the changes to save and the timer will start counting down.

RECIRCULATING CHARCOAL FILTERS

Skip this page if you are installing a Ducted Range Hood.
Charcoal Filters are only included with Ductless Models

Step 1: Remove the ARC-FLOW Baffle Filters.

Step 2: Locate the motor (pictured below) and align one of the filters with the right side of the motor.

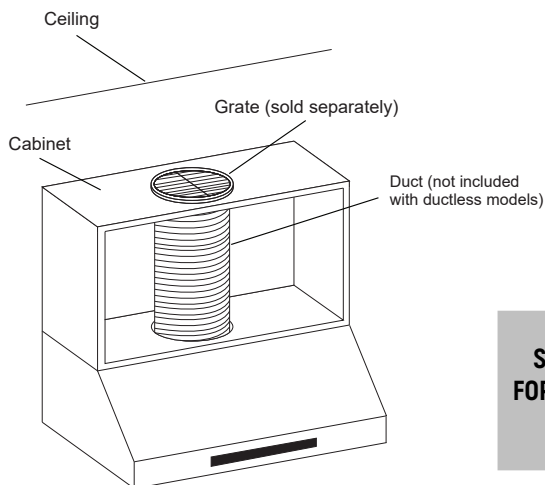


Step 3: Twist and lock the filter into place.

Step 4: Repeat Steps 2-3 on the left side of the motor.



Step 5: Reinstall the ARC-FLOW Baffle Filters back into place.



Ductless Installation:

Vent duct through cabinet and attach grate on top of cabinet (sold separately).

SCAN QR CODE
FOR INSTALLATION
VIDEO



It is recommended that the charcoal filter be replaced every 4-6 months. Charcoal filter replacements are available for purchase at: www.cosmoappliances.com Charcoal Filter Kit Part# CFK1-TM

MAINTENANCE

CAUTION: Never put your hand inside the unit while it is operating. For the best performance clean your unit frequently.

CLEANING:

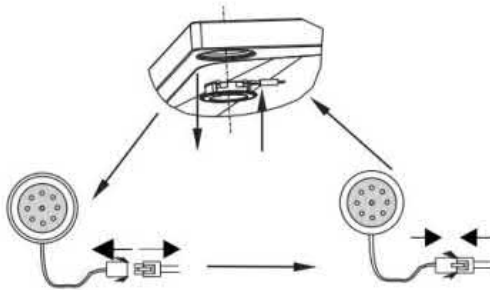
1. Use only mild soap or cleaning solutions to clean the range hoods outer surface. Dry surfaces using a soft cloth.
2. Stainless Steel cleaner may be used on the external surface.
3. Cleaning the Baffle Filters: For daily cleaning, use hot, soapy water and a soft cloth. Wipe dry and finish with a damp micro-fiber cloth. Baffle filters can also be cleaned in the dishwasher.
4. Clean the Range Hood assembly once every 6 months.
5. **DO NOT** clean motor or electrical components with water or any other liquid.

REPLACING LIGHT BULBS

CAUTION: LED LAMP UNIT IS HOT! WAIT BEFORE ATTEMPTING BEFORE ATTEMPTING TO REPLACE LED LAMPS. PLEASE BE SURE THE UNIT IS POWERED OFF & UNPLUGGED.

NOTE: INDIVIDUAL LED BULBS CANNOT BE REPLACED. ONLY LED LAMPS.

1. Remove the baffle filters
2. Find the wire connection of the lamp and unplug.
3. Remove old LED lamp.
4. Plug in new LED lamp.
5. Reinstall the baffle filters.



TROUBLESHOOTING

CAUTION: ALWAYS UNPLUG UNIT FROM POWER BEFORE SERVICING

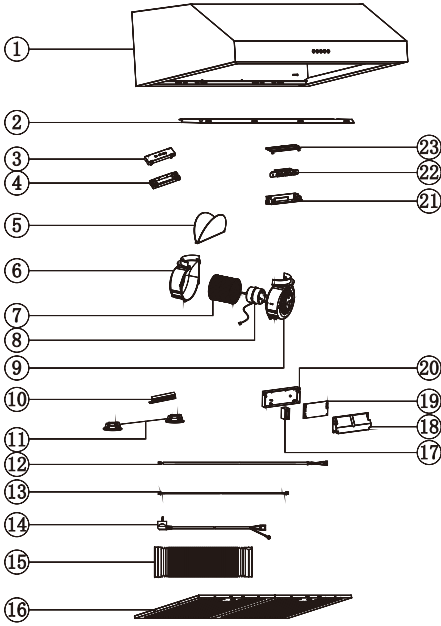
PROBLEM	SOLUTION	TOOLS
My range hood is noisy	A. Check inside the range hood for any loose debris and remove. <i>If your range hood is still noisy after checking, please call 1-888-784-3108.</i>	Phillips Screwdriver
My range hood has poor performance	A. The range hood and cooktop are too far away from each other. Optimal distance is 24" to 36" B. There are too many open windows or doors in the area. Close some doors or windows. C. The motor performance has decreased due to wear. Replace motor. D. Check and make sure the tape holding down the damper flaps at the vent hole are removed before use. E. The filters are clogged and need to be cleaned.	Phillips Screwdriver
My range hood shakes	A. The installation is not secure. Check again and make sure the installation hardware is securely mounted. B. The fan is broken or not balanced. Re-align or replace fan. C. The motor is loose. Check and make sure the motor is solidly mounted to the unit. D. Baffle filter is loose and is not installed correctly. Read page 12 for installation instructions.	Phillips Screwdriver
Range Hood does not turn on	A. Make sure that range hood is plugged into powered outlet. Test outlet with other device if not working. B. Remove baffle filters, reach inside behind the control panel and locate the wire with clip. Make sure control panel is securely plugged in.	Phillips Screwdriver
Light bulbs went out	A. Replace with a new LED lamp assembly. B. Remove baffle filters, reach inside behind the control panel and locate the wire with clip behind the light housing. Make sure the light is securely plugged in.	Phillips Screwdriver

IF YOU HAVE TRIED ALL SOLUTIONS AND STILL EXPERIENCE ISSUES, PLEASE CALL SUPPORT: 1-888-784-3108.

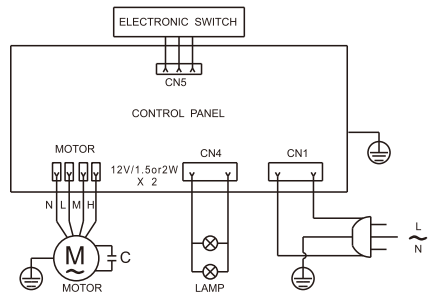
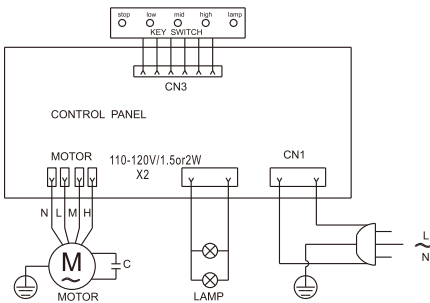


TECHNICAL INFORMATION

UC 30/UMC 30
UC 36/UMC 36



NO.	Parts name	Qty/hood
1	Main Body	1
2	Light SS panel	1
3	Upper Plastic cover	1
4	Bottom Plastic cover	1
5	Non-return Valves	2
6	Left plastic cover	1
7	Plastic fan	1
8	Motor	1
9	Right plastic cover	1
10	Wire clip	1
11	LED	2
12	Light connect wire	1
13	Push button connect wire	1
14	American 3pins cable	1
15	2m aluminum pipe	1
16	Baffle filters	2/3
17	15uF Capacitor	1
18	PCB box cover	1
19	PCB for push button	1
20	PCB box bottom cover	1
21	Push button cover	1
22	Push button	1
23	Push button bottom cover	1





APPLIANCES

WARRANTY AND SERVICE

For full warranty details on this product please visit:
<http://www.cosmoappliances.com/warranty>

TO RECEIVE WARRANTY SERVICE, YOUR
PRODUCT MUST BE REGISTERED. TO REGISTER, VISIT:

WWW.COSMOAPPLIANCES.COM/WARRANTY

SCAN TO REGISTER



IMPORTANT

Do Not Return This Product To The Store If
you have a problem with this product, please contact

Cosmo Customer Support at

+1(888)784-3108

DATED PROOF OF PURCHASE, MODEL #, AND SERIAL #
REQUIRED FOR WARRANTY SERVICE

IMPORTANT

Ne pas Réexpédier ce Produit au Magasin
Pour tout problème concernant ce produit, veuillez contacter
le service des consommateurs Cosmo Customer Support au

+1(888) 784-3108

UNE PREUVE D'ACHAT DATEE EST REQUISE POUR BENEFICIER DE
LA GARANTIE.

IMPORTANTE

No regrese este producto a la tienda
Si tiene algún problema con este producto, por favor contacte el
AYUDA AL CLIENTE COSMO al

+1(888)784-3108

(Válido solo en E.U.A).

NECESITA UNA PRUEBA DE DE COMPRA FECHADA, NÚMERO DE
MODELO Y DE SERIE PARA EL SERVICIO DE LA GARANTÍA



Correct Disposal of this product:

This marking indicates that this appliance should not be disposed with other household wastes. To prevent possible harm to the environment or human health from uncontrolled waste disposal, recycle it responsibly to promote the sustainable reuse of material resources.



Cosmo is constantly making efforts to improve the quality and performance of our products, so we may make changes to our appliances without updating this manual.

Electronic version of this manual is available at:
www.cosmoappliances.com